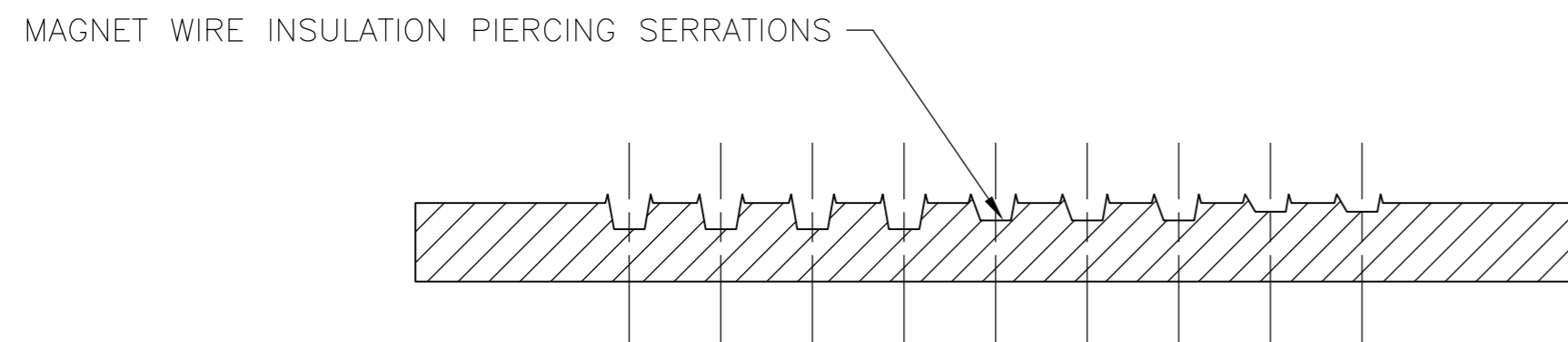
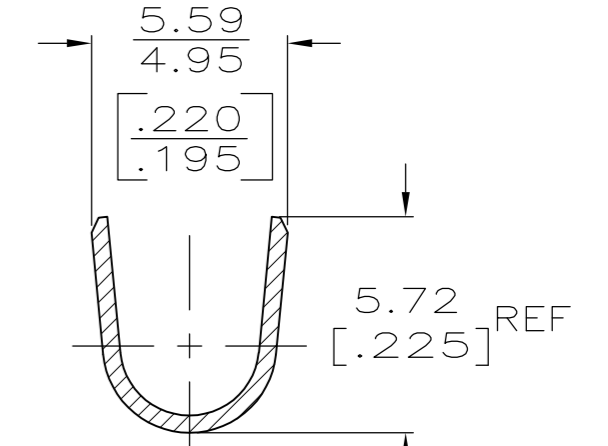
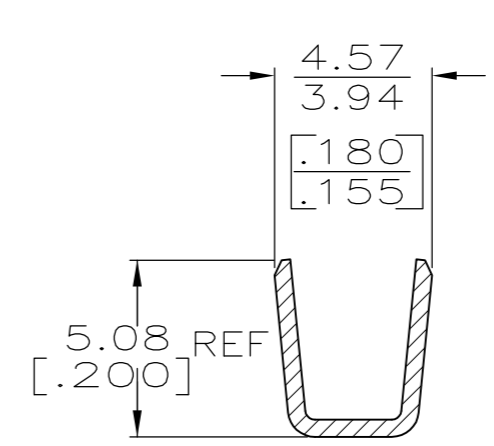
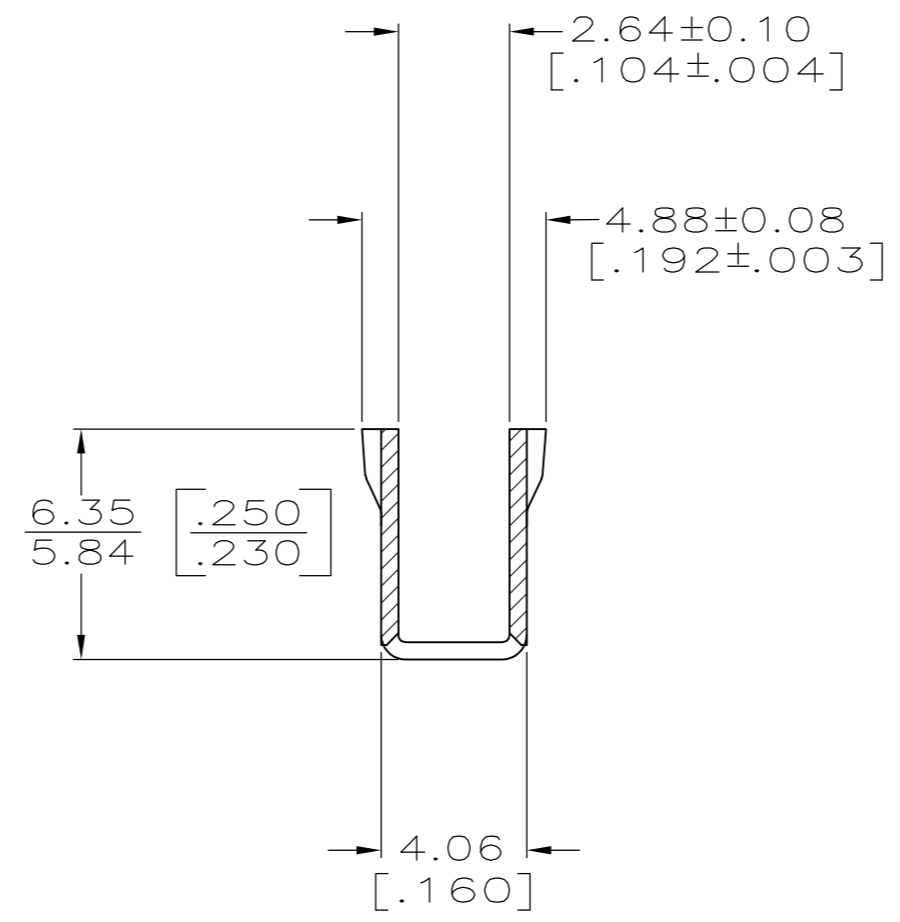
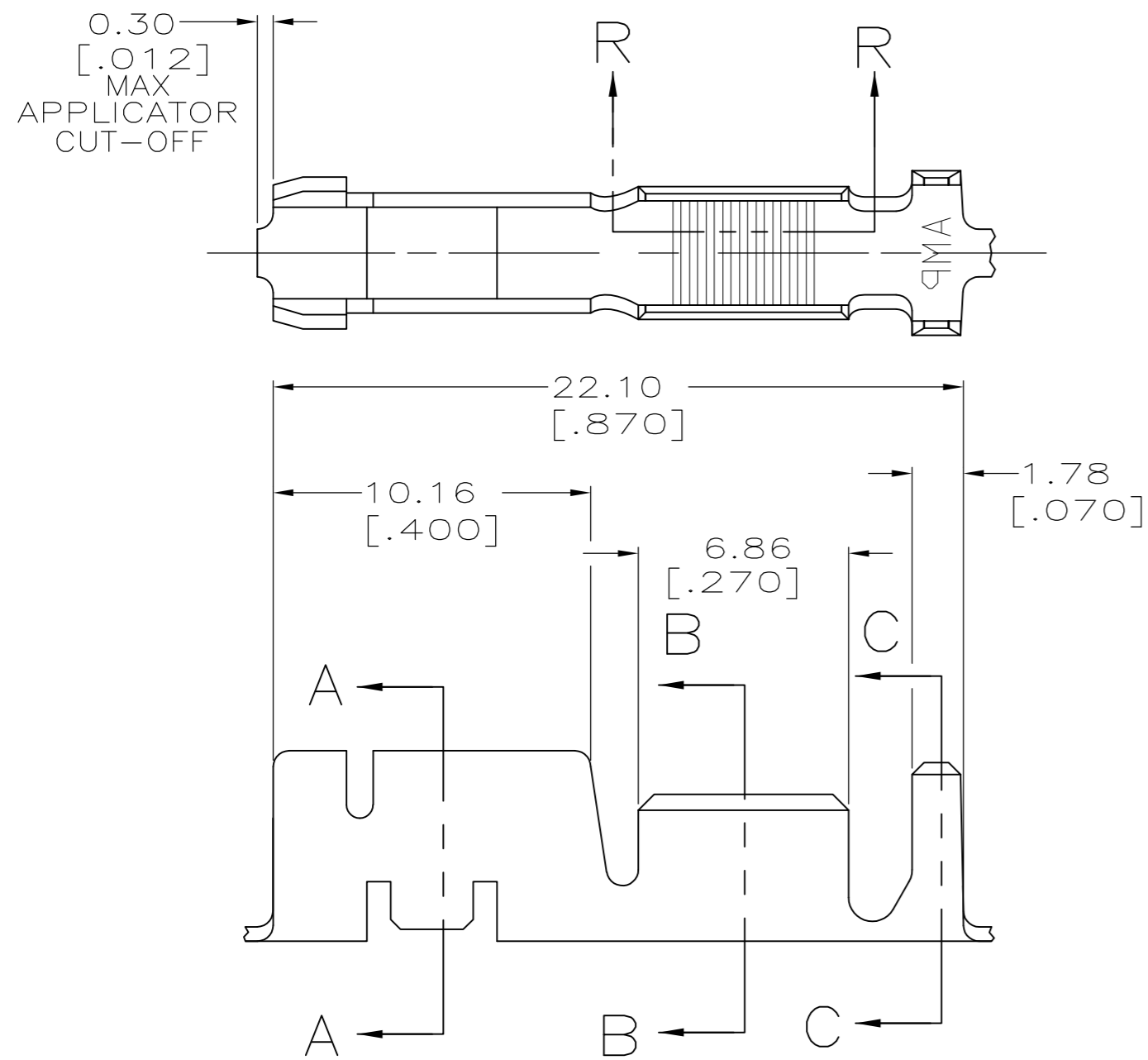


THIS DRAWING IS UNPUBLISHED. RELEASED FOR PUBLICATION  
 © COPYRIGHT - By - ALL RIGHTS RESERVED.

LOC	DIST	REVISIONS					
		P	LTR	DESCRIPTION	DATE	DWN	APVD
AF	52	M1		REVISED PER ECR-13-004622	27MAR13	KH	GJ

- CONTINUOUS STRIP ON REELS WITH TERMINALS LOCATED ON 23.75 [.935] CENTERS.
- STANDARD RETENTION TYPE.



SECTION R-R  
SCALE 25:1

2.29-4.32 DIA [.090-.170]	4000-8500 CMA	63455-1
INSULATION RANGE	WIRE RANGE	PART NUMBER

THIS DRAWING IS A CONTROLLED DOCUMENT.		DWN MS FEHER 11/12/87					
DIMENSIONS: mm [INCHES]		CHK G YETTER 11/17/87					
TOLERANCES UNLESS OTHERWISE SPECIFIED:		APVD J SWARTZ 11/17/87					
0 PLC ± - 1 PLC ± - 2 PLC ± 0.25 [.010] 3 PLC ± - 4 PLC ± - ANGLES ± -		NAME RECEPTACLE, CLUSTER PIN, AMPLIVAR, 3.18 [.125] DIA					
MATERIAL 0.51[.020] #3 HARD PHOSPHOR BRONZE		FINISH POST TIN	WEIGHT -	SIZE A2	CAGE CODE 00779	DRAWING NO C-63455	RESTRICTED TO -
CUSTOMER DRAWING			SCALE 5:1	SHEET 1 OF 1	REV M1		