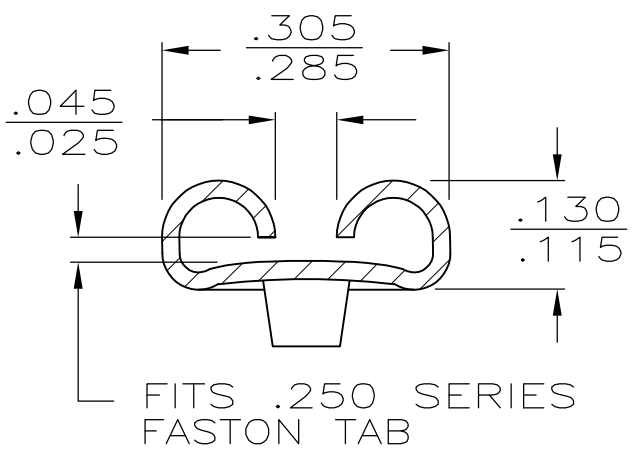
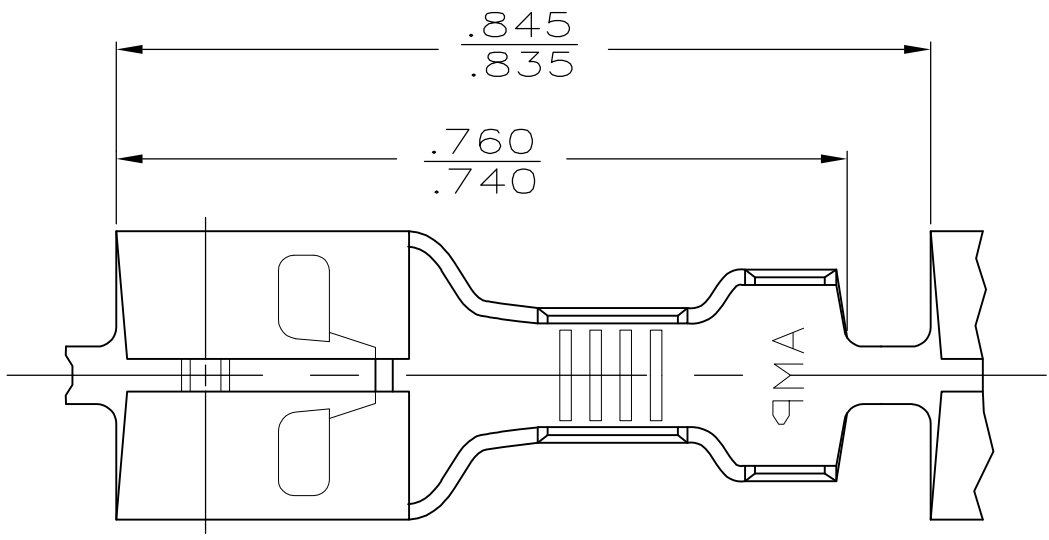


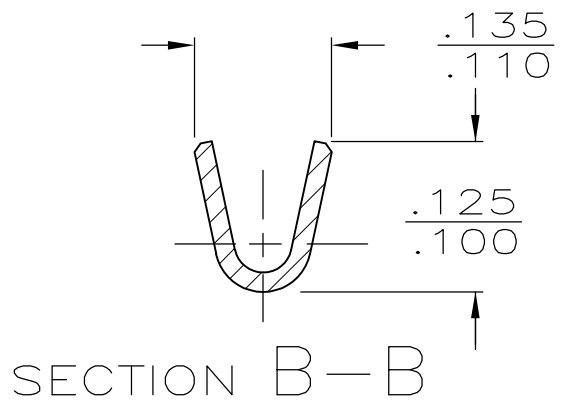
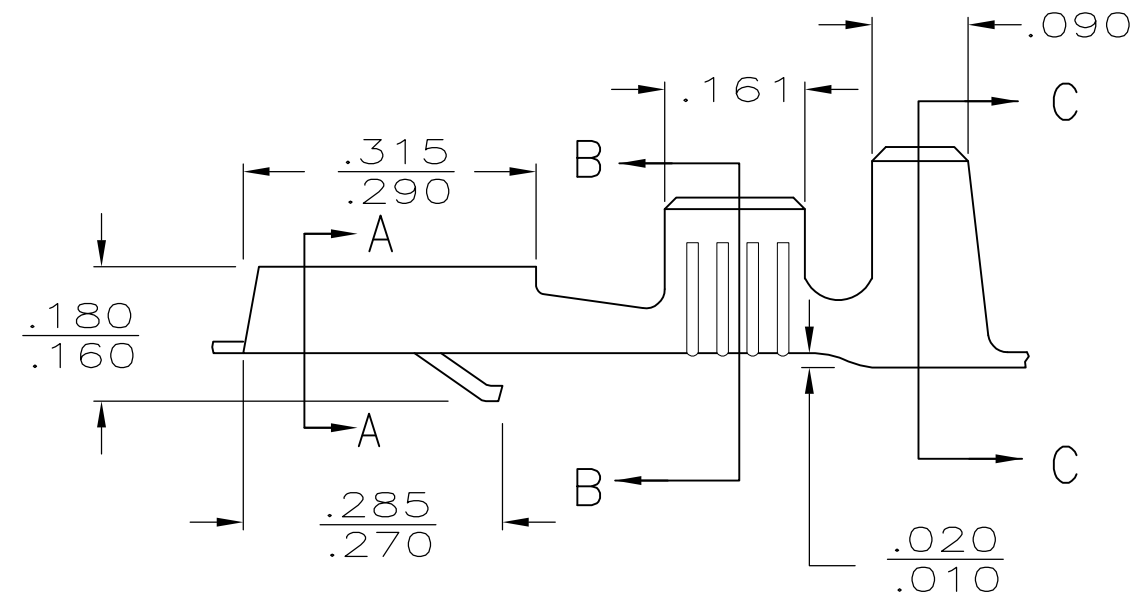
THIS DRAWING IS UNPUBLISHED. RELEASED FOR PUBLICATION
 © COPYRIGHT BY TYCO ELECTRONICS CORPORATION. ALL RIGHTS RESERVED.

LOC	DIST	REVISIONS					
AF	50	P	LTR	DESCRIPTION	DATE	DWN	APVD
			AB1	REVISED PER ECR-07-006847	24APR07	HMR	KR

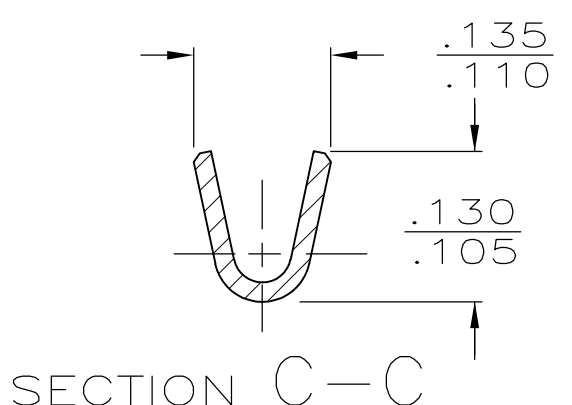


SECTION A-A

- 1 CONTINUOUS STRIP ON REELS.
- △2 REELED WITH INTERLEAVING PAPER.
- △3 PRELIMINARY - NOT FOR PRODUCTION.



SECTION B-B



SECTION C-C

TIN	.060-.100	22-18	.032 ±.001	△2 △3	60413-3
-	.060-.100	22-18	.032 ±.001		60413-2
TIN	.060-.100	22-18	.032 ±.001		60413-1
FINISH	INSULATION RANGE	WIRE SIZE	TAB THK	PART NO.	

THIS DRAWING IS A CONTROLLED DOCUMENT.		DWN JR RUTH 28APR86	Tyco Electronics Corporation Harrisburg, Pa 17105-3608		
DIMENSIONS: INCHES		CHK M FEHER 30APR86			
TOLERANCES UNLESS OTHERWISE SPECIFIED:		APVD C MEYERS 15AUG86	NAME .250 SERIES FASTON - FASTON RECEPTACLE		
0 PLC ± - 1 PLC ± - 2 PLC ± - 3 PLC ± .015 4 PLC ± - ANGLES ± -		PRODUCT SPEC -	SIZE CAGE CODE DRAWING NO RESTRICTED TO		
MATERIAL .012 BRASS		FINISH SEE ABOVE	A3 00779 C-60413		
CUSTOMER DRAWING			SCALE 5:1	SHEET 1 OF 1	REV AB1