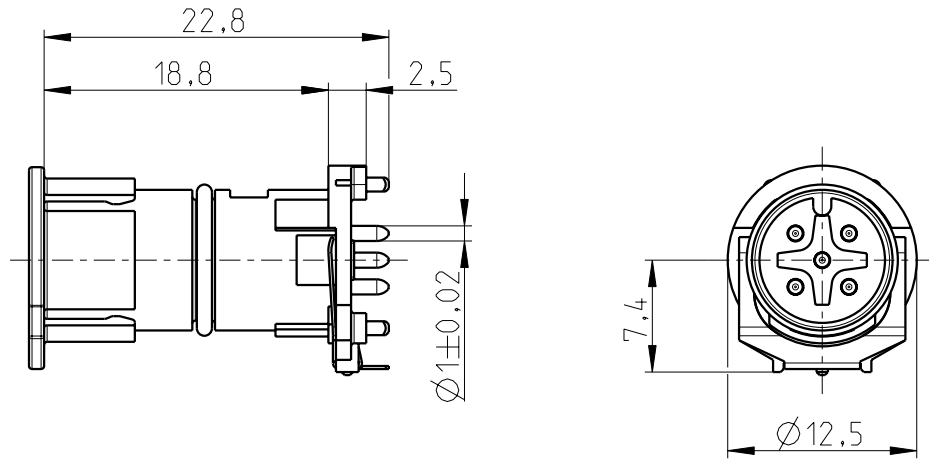


The copying, distribution and utilization of this document as well as the communication of the contents to others without expressed authorization is prohibited according to §18 UWG German Law. Offenders will be held liable for the payment of damages according to §19 UWG German Law. All rights reserved, in particular the right to carry out patent, utility model or ornamental design registrations.

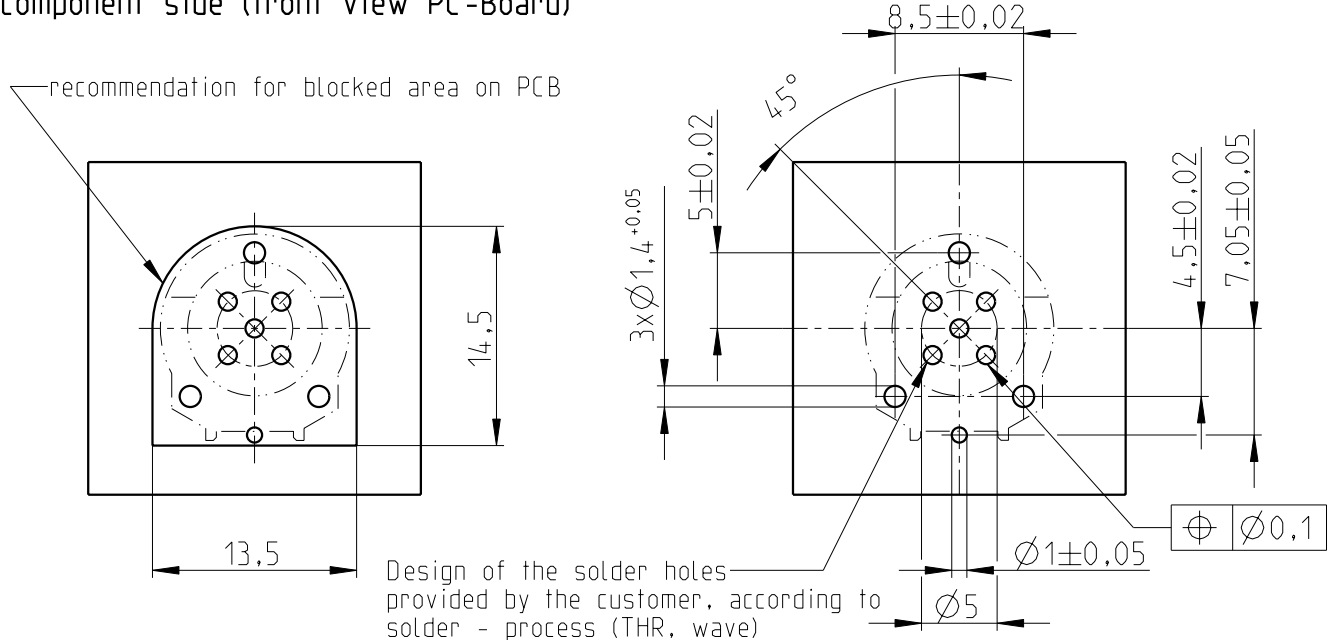
Weitergabe sowie Vervielfältigung dieses Dokuments, Verwertung und Mitteilung seines Inhalts gem §18 UWG verboten, soweit nicht ausdrücklich gestattet. Zuwiderhandlungen verpflichten zu Schadensersatz (§19 UWG). Alle Rechte vorbehalten, insbesondere das Recht, Patent-, Gebrauchsmuster- oder Geschmacksmusteranmeldungen durchzuführen. CONINVERS GmbH Heisenbergstrasse 1 D-71083 Herrenberg

Mechanical data (according to IEC 61076-2-101)		Material		further information: - see technical data M12-3
no. of poles / coding	5 / A (with shield connection)	contacts / surface	CuZn with gold layer	
contact termination	dip solder / pin	contact carrier colour	PA6T/66 black	
contact-Ø	5xØ1mm	sealing gasket	FKM	
temperature range	-40 °C to +85 °C			
protection class	IP67			
mating cycles	>100			



All specified data refers to the mounted M12 installation plugs ≥ IP54 and requires that the connector pair be correctly plugged and locked. Influences from wires, cables or PCB mounting are also to be taken into consideration.

drilling plan component side (front view PC-Board)



Design of the solder holes provided by the customer, according to solder - process (THR, wave)

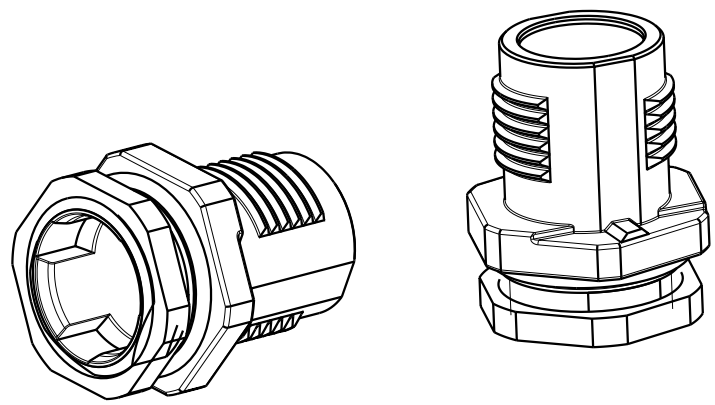
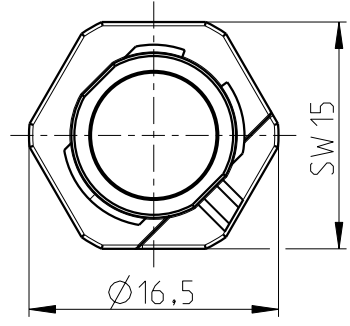
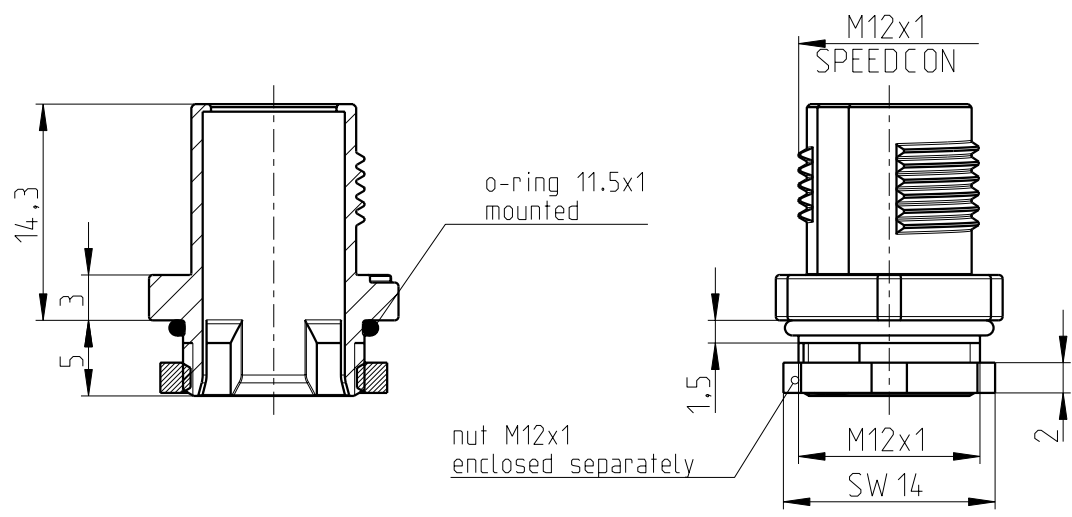
general tolerance acc. to DIN ISO 2768-c		technical changes reserved		Index 2 / 2012-11-19		scale: 2:1	
design	2012-07-05	Scheerer		Series DSIV M12-installation plug straight 5-pole pin/A-cod./shield connection/SC0/o-ring			
chk.							
		drawing-no.:	BS-05P2NC2M3B4		doc.-no.:	00671124	
		order-no.:	1439968				
		article designation:	SACC-DSIV-MS-5CON-L180SC0THRS				

The copying, distribution and utilization of this document as well as the communication of the contents to others without expressed authorization is prohibited according to §18 UWG German Law. Offenders will be held liable for the payment of damages according to §19 UWG German Law. All rights reserved, in particular the right to carry out patent, utility model or ornamental design registrations.

Weitergabe sowie Vervielfältigung dieses Dokuments, Verwertung und Mitteilung seines Inhalts gem §18 UWG verboten, soweit nicht ausdrücklich gestattet. Zuwiderhandlungen verpflichten zu Schadensersatz (§19 UWG). Alle Rechte vorbehalten, insbesondere das Recht, Patent-, Gebrauchsmuster- oder Geschmacksmusteranmeldungen durchzuführen. CONIVERS GmbH Heisenbergstrasse 1 D-71083 Herrenberg

Mechanical data (according to IEC 61076-2-101)	
Locking thread	M12 SPEEDCON
Material	
flange housing	GD-Zn, nickel plated
sealing gasket	EPDM
nut	brass, nickel-plated
temperature range	-40 °C to +85 °C

further information:
- see installation recommendation SACC-M12-SCO PLUG



All specified data refers to the mounted M12 installation plugs ≥ IP54 and requires that the connector pair be correctly plugged and locked. Influences from wires, cables or PCB mounting are also to be taken into consideration.

general tolerance acc. to DIN ISO 2768-c		technical changes reserved		Index 2 / 2012-11-19		scale: 2:1	
design	date	name		Series DSIV M12-installation plug straight 5-pole pin/A-cod./shield connection/SCO/o-ring			
chk.	2012-07-05	Scheerer					
		drawing-no.:	BS-05P2NC2M3B4		doc.-no.:	00671124	
		order-no.:	1439968				
		article designation:	SACC-DSIV-MS-5CON-L180SC0THRSH				