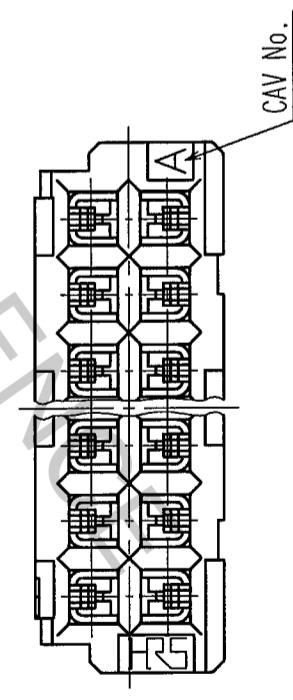
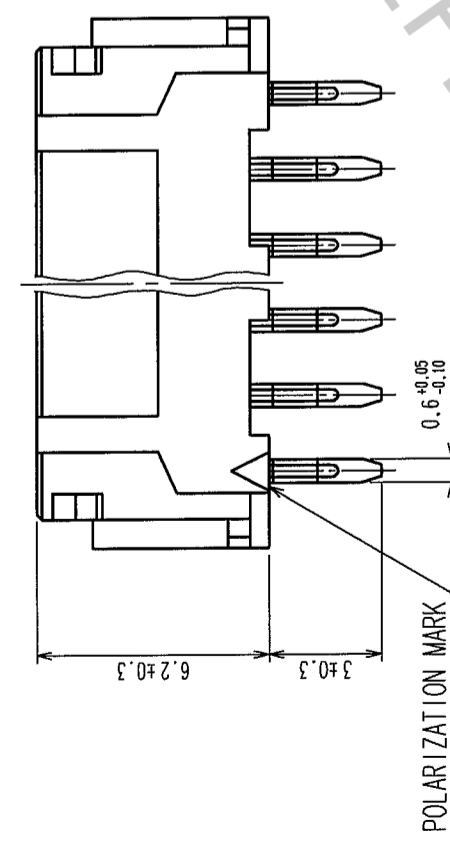
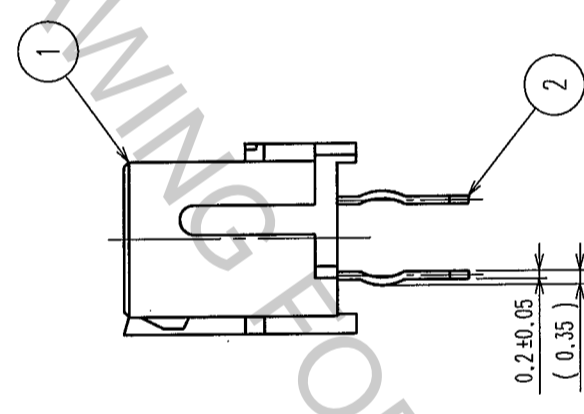
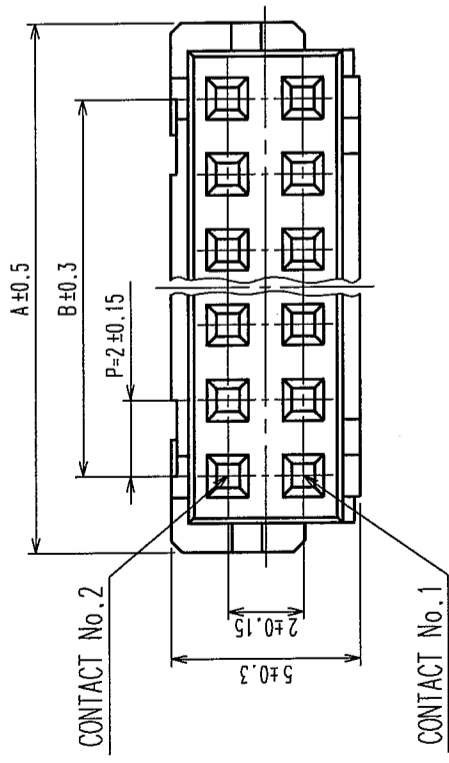


| 5 | 6 | 7 | 8 |
|-------|--------------------------|----|------|
| COUNT | DESCRIPTION OF REVISIONS | BY | CHKD |
| △ | | | |
| △ | | | |
| △ | | | |



| CODE No. | PART No. | NUMBER OF CONTACT | A | B |
|---------------|--------------------|-------------------|------|------|
| 543-0553-9-05 | DF11-6DS-2DSA(05) | 6 | 8.0 | 4.0 |
| 543-0554-1-05 | DF11-8DS-2DSA(05) | 8 | 10.0 | 6.0 |
| 543-0555-4-05 | DF11-10DS-2DSA(05) | 10 | 12.0 | 8.0 |
| 543-0556-7-05 | DF11-12DS-2DSA(05) | 12 | 14.0 | 10.0 |
| 543-0557-0-05 | DF11-14DS-2DSA(05) | 14 | 16.0 | 12.0 |
| 543-0558-2-05 | DF11-16DS-2DSA(05) | 16 | 18.0 | 14.0 |
| 543-0559-5-05 | DF11-18DS-2DSA(05) | 18 | 20.0 | 16.0 |
| 543-0560-4-05 | DF11-20DS-2DSA(05) | 20 | 22.0 | 18.0 |
| 543-0561-7-05 | DF11-22DS-2DSA(05) | 22 | 24.0 | 20.0 |
| 543-0562-0-05 | DF11-24DS-2DSA(05) | 24 | 26.0 | 22.0 |
| 543-0563-2-05 | DF11-26DS-2DSA(05) | 26 | 28.0 | 24.0 |
| 543-0564-5-05 | DF11-28DS-2DSA(05) | 28 | 30.0 | 26.0 |
| 543-0565-8-05 | DF11-30DS-2DSA(05) | 30 | 32.0 | 28.0 |
| 543-0566-0-05 | DF11-32DS-2DSA(05) | 32 | 34.0 | 30.0 |

NOTES 1: RECOMMENDED PC BOARD HOLE DIAMETER $\phi 0.8^{+0.1}_{-0}$
 2: THE DIMENSION OF PROSITY OF KINK $\phi 0.8^{+0.05}_{-0}$

| 1 | POLYAMIDE | UL94V-0, BLACK | 2 | BRASS | TIN PLATED 2μ m min |
|-------------------------------|--------------------------|-----------------|-------------------------------|------------|---------------------|
| NO. | MATERIAL | FINISH, REMARKS | NO. | MATERIAL | FINISH, REMARKS |
| CODE NO. (OLD) | | | DRAWN | DESIGNED | CHECKED |
| | | | F. Matsuki | H. Umemura | T. Miyagaki |
| | | | '04.03.30 | '04.03.30 | '04.03.31 |
| DRAWING NO. EDC3-162401-01 | | | PART NO. DF11-*DS-2DSA(05) | | |
| SCALE 5 : 1 | | | | | |
| UNITS mm | | | | | |
| | HIROSE ELECTRIC CO., LTD | | CODE NO. CL543- | | |

| | | | |
|----|--|--|--|
| TO | | | |
|----|--|--|--|