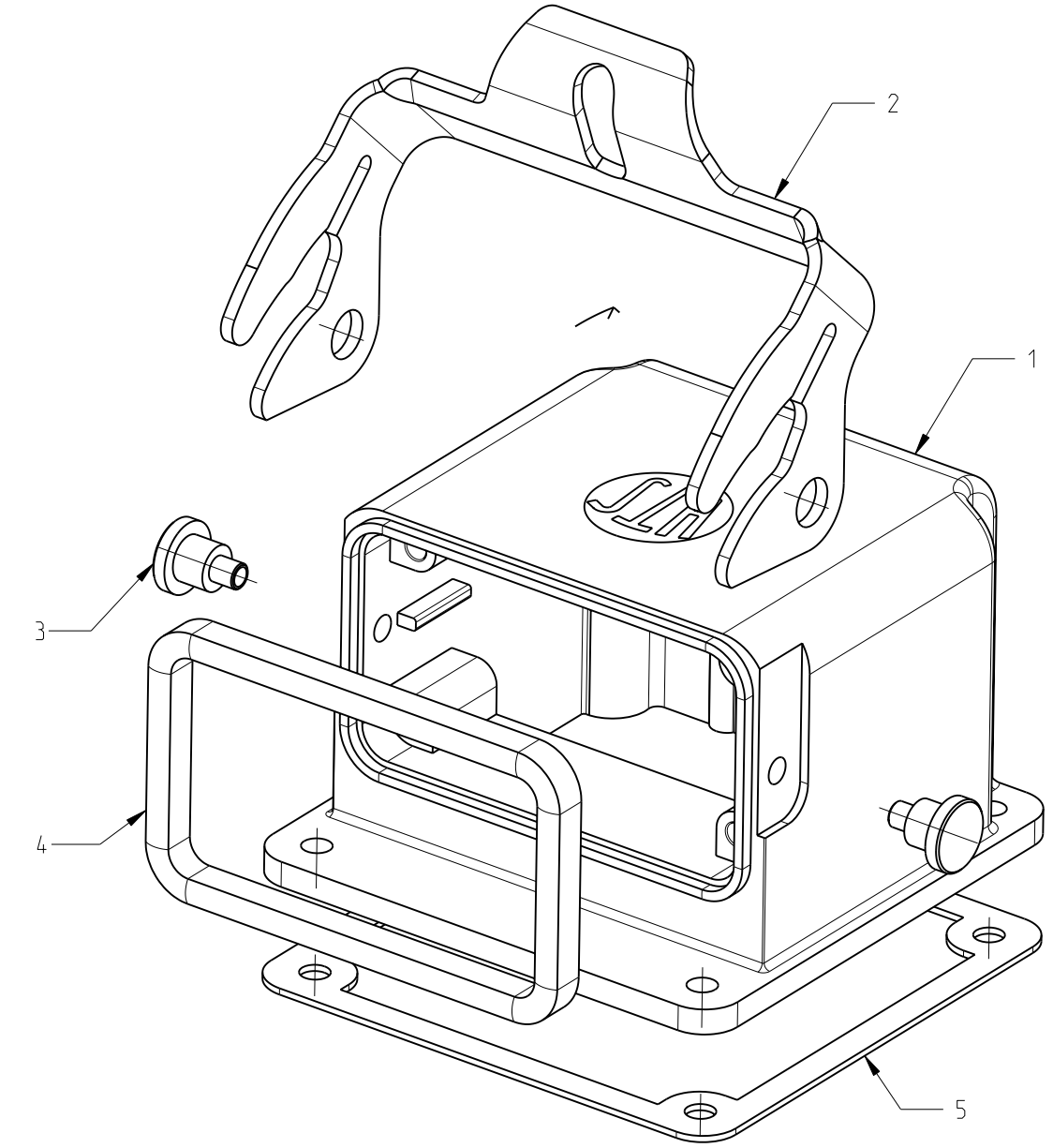
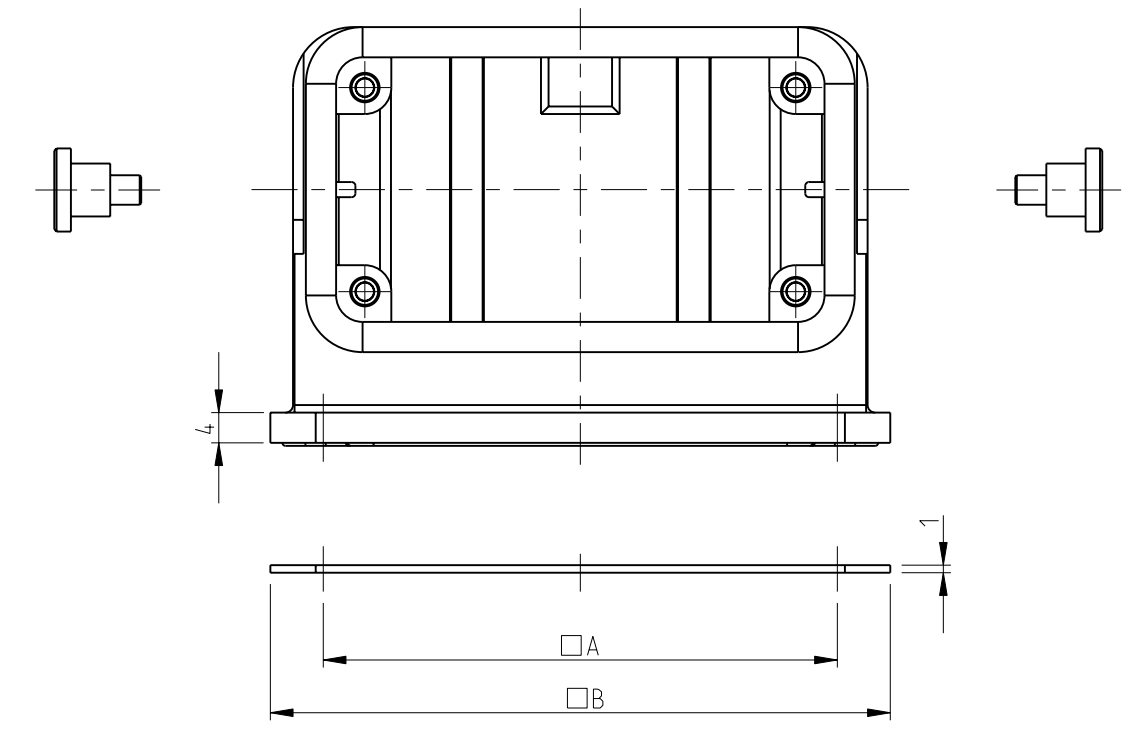
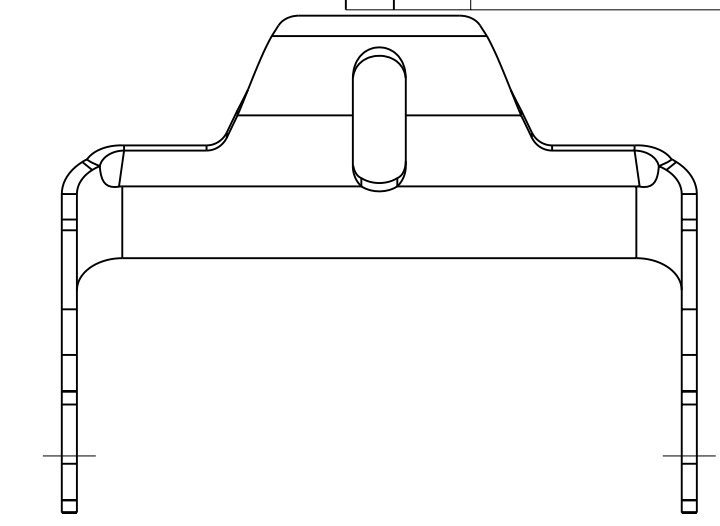
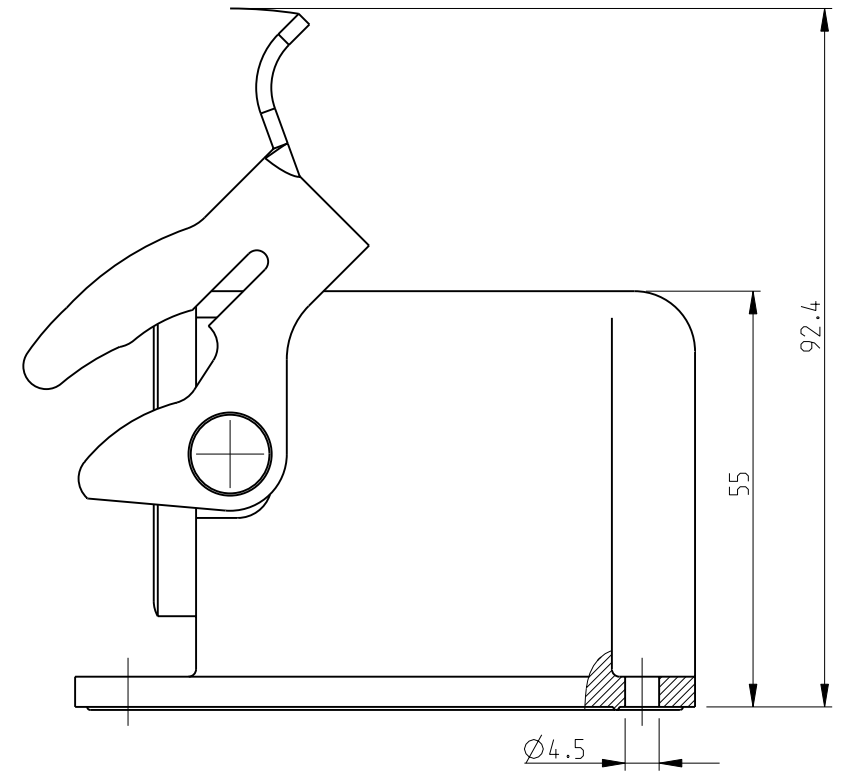
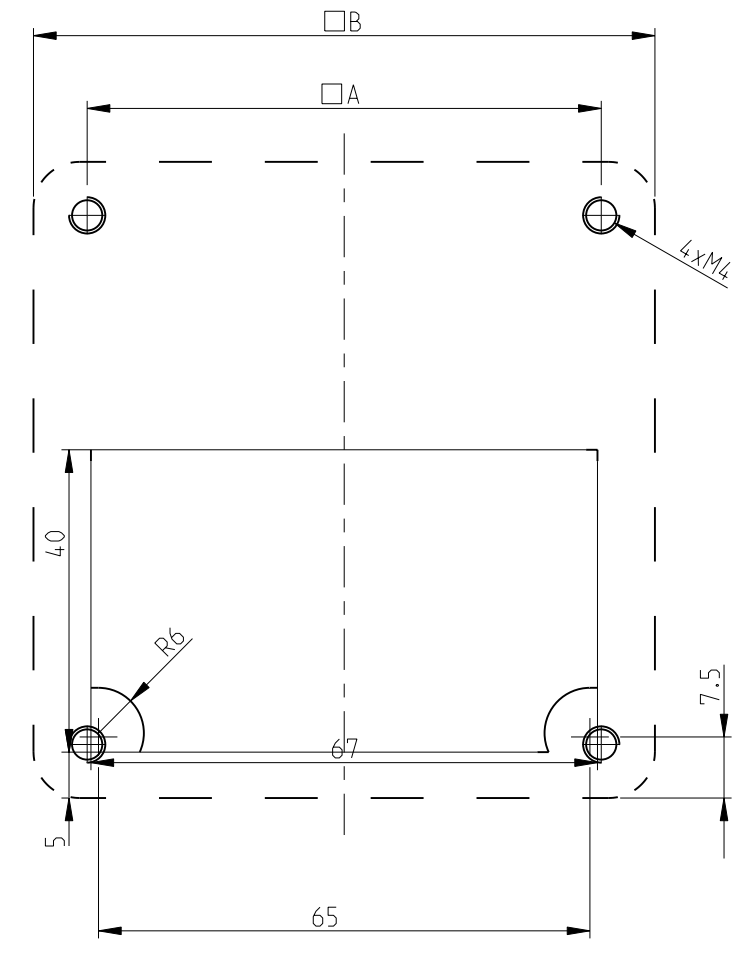


THIS DRAWING IS UNPUBLISHED. RELEASED FOR PUBLICATION  
 © COPYRIGHT copyright\_date BY TYCO ELECTRONICS CORPORATION. ALL RIGHTS RESERVED.

LOC	DIST	P	LTR	REVISIONS	DATE	DWN	APVD
A1	-			A6 Released as per ECR-09-006193	17-Mar-2009	CJ	TS

Panel Cut-Out



- Notes
- 1 Material: Housing: Aluminium Die Cast Alloy  
Seals: Neoprene
  - 2 Surface: Power Varnish, Grey
  - 3 Varnish on the inside not necessary

QTY	DESCRIPTION	PART NO	MATERIAL	SURFACE	A	B	REMARKS	ITEM NO
1	FLANGE SEAL	0-1245077-1	NBR	BLACK				5
1	PROFILE SEAL	0-1110426-2	NBR	BLACK				4
1	CLIP POSITIONER	0-1245084-1	STEEL	BLUE				3
1	SIDE CLIP	0-1110444-1	STEEL	BLUE				2
1	MCH-HM.10-98/98	1-1245076-4	ALU	GREY		98		1
1	MCH-HM.10-94/94	1-1245076-3	ALU	GREY	80	94		1
1	MCH-HM.10-90/90	1-1245076-5	ALU	GREY	79	90		1
1	MCH-HM.10-85/85	1-1245076-2	ALU	GREY	73	85		1
1	MCH-HM.10-82/82	1-1245076-1	ALU	GREY	68	82		1
1	MCH-HM.10-82/82-S0	1-1245076-6	ALU	GREY	68	82	NO LOGO	1
8-8	DESCRIPTION	PART NO	MATERIAL	SURFACE	A	B	REMARKS	ITEM NO
8-4								
8-0								
0-2								
9-8								
9-4								
9-0								
8-5								
8-2								
0-1								
	HM.10-82/82-S0							
	HM.10-82/82							
	HM.10-85/85							
	HM.10-90/90							
	HM.10-94/94							
	HM.10-98/98							
	HM.10-82/82-SET							
	HM.10-90/90							
	HM.10-94/94							
	HM.10-98/98							

THIS DRAWING IS A CONTROLLED DOCUMENT FOR TYCO ELECTRONICS CORPORATION. IT IS SUBJECT TO CHANGE AND THE CONTROLLING ENGINEERING ORGANIZATION SHOULD BE CONTACTED FOR THE LATEST REVISION.

DWN: Schneider 16.02.2001  
 CHK: Schneider 16.02.2001  
 APVD: -

tyco Electronics  
 Tyco Electronics, AMP GmbH  
 D-53819, Neunkirchen, Germany

NAME: Motor Connector Housing HM 10

SIZE: A2  
 CAGE CODE: 00779  
 DRAWING NO: 1108772  
 RESTRICTED TO: -

MATERIAL: 1  
 FINISH: 2

PRODUCT SPEC: -  
 APPLICATION SPEC: -  
 WEIGHT: -

CUSTOMER DRAWING  
 SCALE: 1:1  
 SHEET: 1 OF 1  
 REV: A6