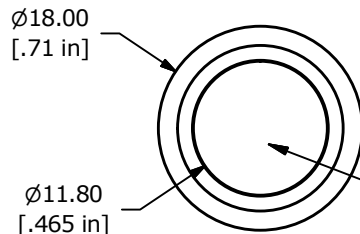


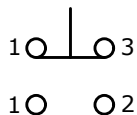
PANEL CUTOUT
MAX. PANEL THICKNESS
14.0mm [.55]



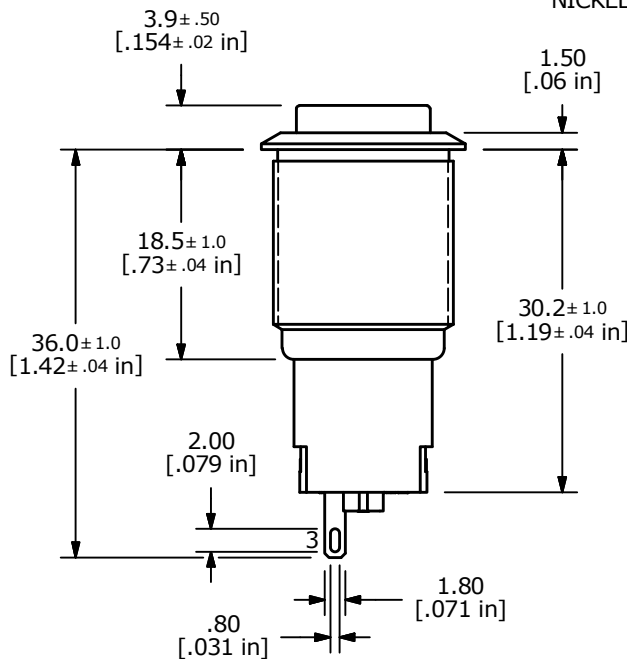
▲ HIGH ACTUATOR
NICKEL PLATED



▲ SWITCH FUNCTION	
POS. 1	POS. 2
ON	(ON)
1-3	1-2
(ON) = MOMENTARY	



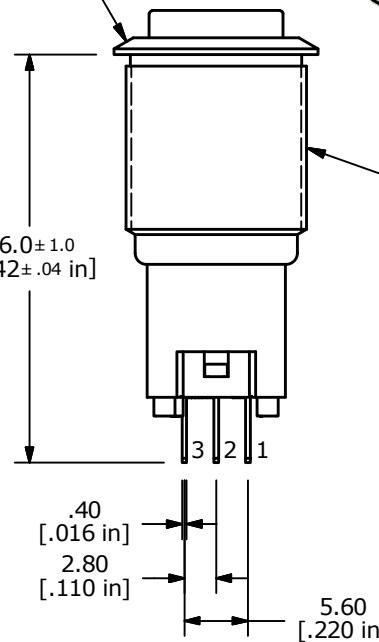
▲ SPDT ON-(ON)
CONTACT CONFIGURATION



▲ BODY
NICKEL PLATED

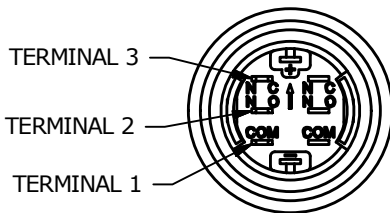
▲ 36.0±1.0
[1.42±.04 in]

M16x1.0



NOTE:

1. ALL DIMENSIONS IN MM [INCH]
2. GENERAL TOLERANCE: X.X = ±0.4
X.XX = ±0.25
3. TERMINAL NUMBERS FOR REF ONLY
- ▲ 4. CONTACT MATERIAL: GOLD
5. RATING: 2A 48VDC
6. ELECTRIC LIFE: 50,000 MAKE-AND-BREAK CYCLES
AT FULL LOAD.
7. INSULATION RESISTANCE: 1,000 MΩ MIN.
8. DIELECTRIC STRENGTH: 2,000 VAC MIN. FOR 1 MINUTE
9. CONTACT RESISTANCE: 50mΩ MAX. @ 1A 12VDC
10. OPERATING TEMP.: -20°C to 55°C
11. ▲ DENOTES CRITICAL PARAMETER.
- ▲ 12. HARDWARE SUPPLIED: O-RING AND HEXNUT
13. INGRESS RATING: IP40
14. 2002/95/EC (ROHS) COMPLIANT
- ▲ 15. LAMP VOLTAGE: NO LAMP



B	22107	UPDATE TO NEW TERMINAL HOUSING	12/28/15	MW
A	20766	RELEASE FOR PRODUCTION	9/25/12	EBP
REV	PCR NO	DESCRIPTION	DATE	BY

TITLE PV3H2B0NNG				
SCALE 3:2	DATE 9/25/2012	DR EBP	DWG 52-PV3H2B0NNG	REV B

THE INFORMATION CONTAINED IN THIS DOCUMENT IS PROPRIETARY TO E-SWITCH AND IS NOT TO BE COPIED OR TRANSFERRED