

DESCRIPTION: 971 SERIES D-SUB BACKSHELL

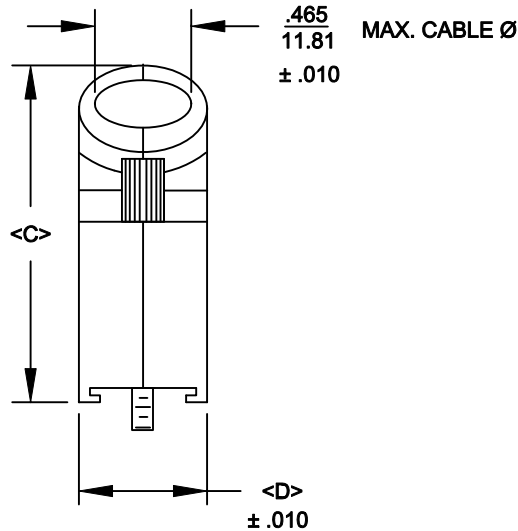
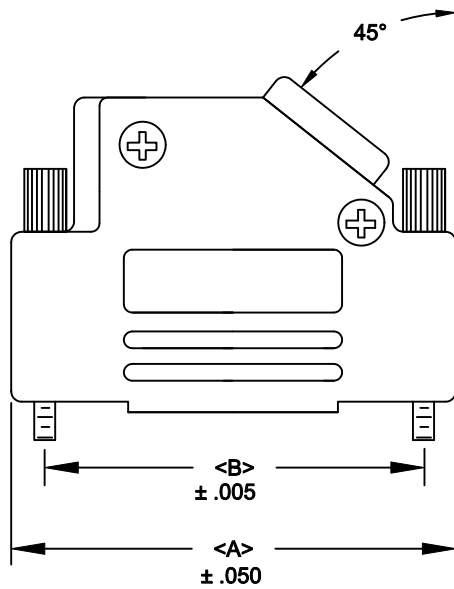
**BACKSHELL KIT INCLUDES:**

- (2) BACKSHELL HALVES
- (2) 4-40 THUMBSCREWS
- (2) HOUSING SCREWS & 2 NUTS
- (1) COMPRESSION RING - VARIOUS SIZES  
 $\varnothing 0.157$  [4.0],  $\varnothing 0.197$  [5.0],  $\varnothing 0.276$  [7.0],  $\varnothing 0.354$  [9.0]

NOTE: 9 POSITION HAS ONLY 1 THUMBSCREW  
 (OPPOSITE CABLE ENTRY)

971-YYY-010R011


SERIES \_\_\_\_\_  
 POSITIONS \_\_\_\_\_  
 009 \_\_\_\_\_  
 015 \_\_\_\_\_  
 025 \_\_\_\_\_  
 037 \_\_\_\_\_  
 MATERIAL \_\_\_\_\_  
 010 = PLASTIC \_\_\_\_\_  
 COLOR: \_\_\_\_\_  
 01 = BLACK \_\_\_\_\_  
 PUT-UPS \_\_\_\_\_  
 1 = KIT \_\_\_\_\_



POS.	A	B	C	D
9	1.220	.984	1.496	.590
	30.99	24.99	38.00	14.99
15	1.595	1.312	1.618	.590
	40.51	33.32	41.10	14.99
25	2.114	1.852	1.646	.590
	53.70	47.04	41.81	14.99
37	2.748	2.500	1.646	.590
	69.80	63.50	41.81	14.99

PLASTIC: ABS POLYLAC - BLACK - UL 94-HB  
 JACKSCREWS: STEEL - BLACK  
 HOOD SCREWS: STEEL - BLACK  
 COMPRESSION INSERTS: ABS UL 94-HB  
 NUTS: STEEL - BLACK  
 OPERATING TEMP: -30°C TO + 90 °C

RoHS COMPLIANT

	THESE DRAWINGS AND SPECIFICATIONS ARE THE PROPERTY OF NorComp AND SHALL NOT BE REPRODUCED, COPIED OR USED AS THE BASIS FOR THE MANUFACTURE OR SALE OF APPARATUS WITHOUT WRITTEN PERMISSION.		DRAWN: <b>PAM JENKINS</b>	DATE: <b>6-10-05</b>
			CHECKED:	DATE:
NorComp		SCALE	SHEET 1 OF 1	REV 8
		DWG NO. <b>971-YYY-010R011</b>		