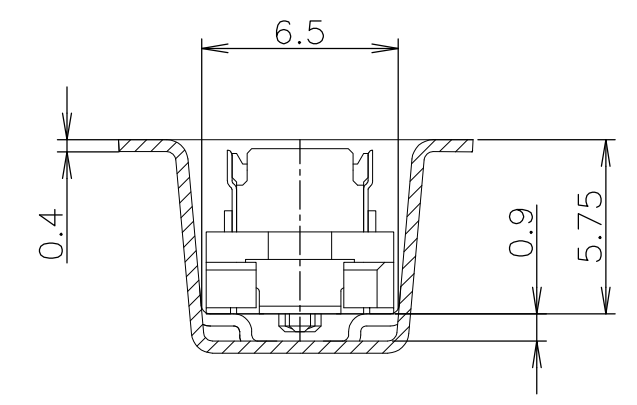
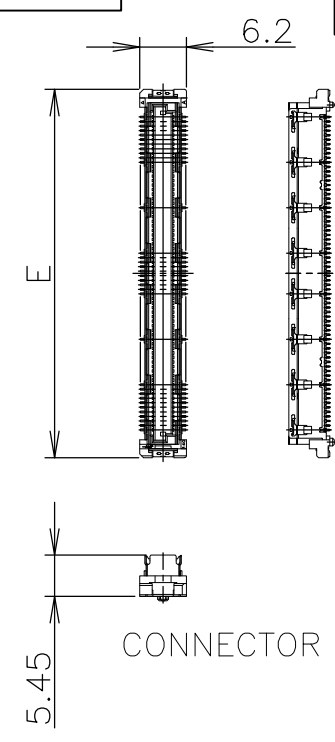
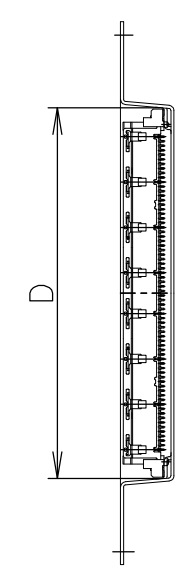
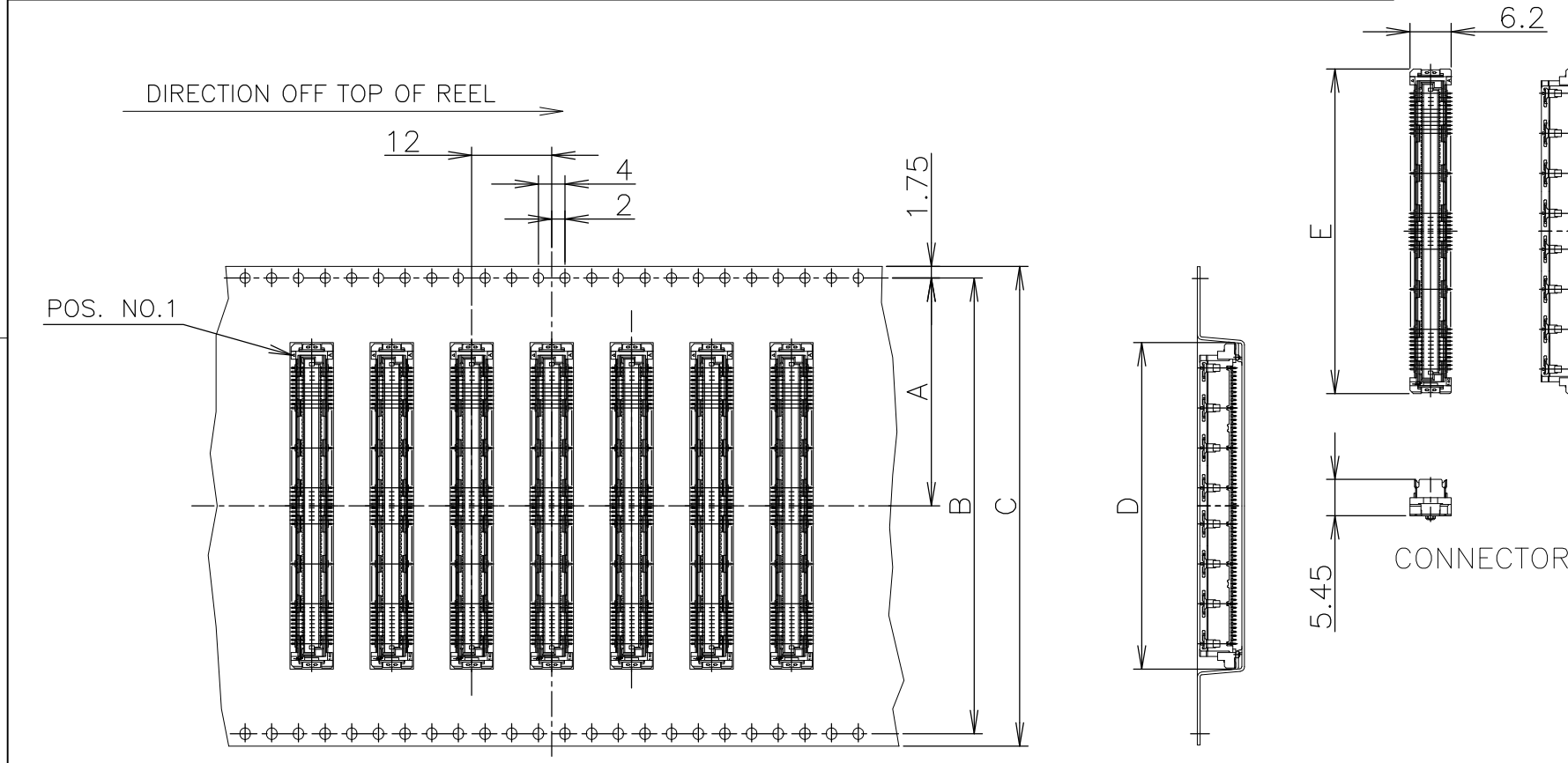
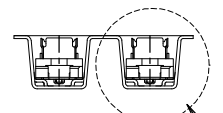


THIS DRAWING IS UNPUBLISHED. RELEASED FOR PUBLICATION APR ,2007.
 © COPYRIGHT 2007 BY TYCO ELECTRONICS CORPORATION. ALL RIGHTS RESERVED.

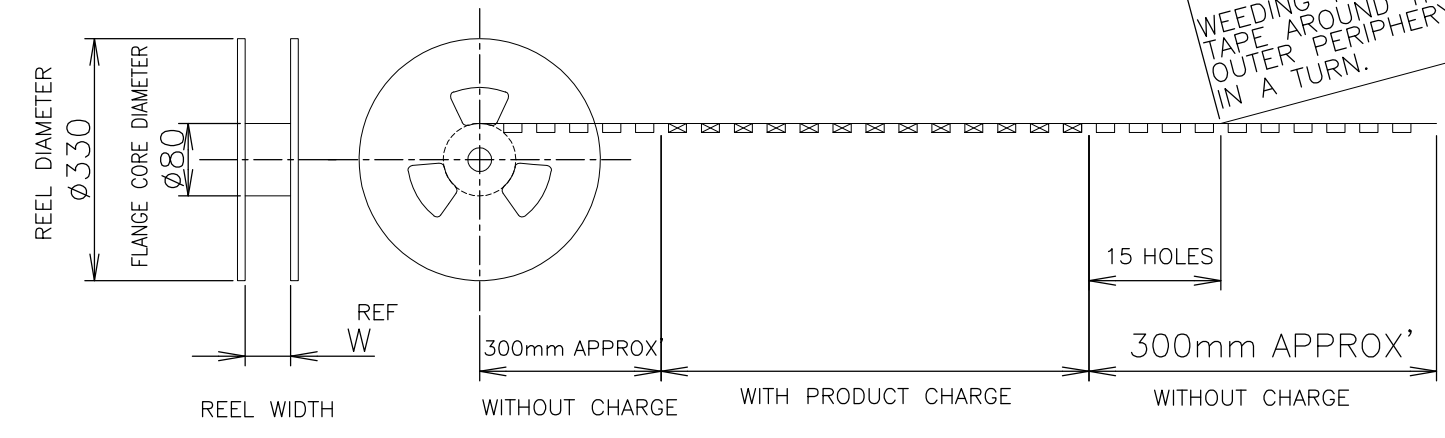
LOC	DIST	REVISIONS					
J		P	LTR	DESCRIPTION	DATE	DWN	APVD
		C		REVISED	28JUN07	Y.S	Y.N



CONNECTOR DETAIL



SEE DETAIL F



WEEDING THE COVER TAPE AROUND THE OUTER PERIPHERY IN A TURN.

SEALANT (SIF-200B)	TOOLING STATUS	QTY.	W	E	D	C	B	A	POS.	PART NO.
NOT AVAILABLE		800	49.5	24.7	25	44	40.4	20.2	60	7-1981982-4 [△]
AVAILABLE			77.5	54.7	55	72	68.4	34.2	160	6-1981982-1
			77.5	48.7	49	72	68.4	34.2	140	6- -0
			61.5	42.7	43	56	52.4	26.2	120	5- -9
			61.5	36.7	37	56	52.4	26.2	100	5- -8
			61.5	33.7	34	56	52.4	26.2	90	5- -7
			49.5	30.7	31	44	40.4	20.2	80	5- -6
			49.5	27.7	28	44	40.4	20.2	70	5- -5
			49.5	24.7	25	44	40.4	20.2	60	5- -4
			37.5	21.7	22	32	28.4	14.2	50	5- -3
			37.5	18.7	19	32	28.4	14.2	40	5- -2
NOT AVAILABLE		800	29.5	15.7	16	24	—	11.5	30	5-1981982-1
			49.5	24.7	25	44	40.4	20.2	60	2-1981982-4 [△]
			77.5	54.7	55	72	68.4	34.2	160	1-1981982-1
			77.5	48.7	49	72	68.4	34.2	140	1- -0
			61.5	42.7	43	56	52.4	26.2	120	-9
			61.5	36.7	37	56	52.4	26.2	100	-8
NOT AVAILABLE		800	61.5	33.7	34	56	52.4	26.2	90	-7
			49.5	27.7	28	44	40.4	20.2	70	-5
			49.5	24.7	25	44	40.4	20.2	60	-4
			37.5	21.7	22	32	28.4	14.2	50	-3
			37.5	18.7	19	32	28.4	14.2	40	-2
NOT AVAILABLE		800	29.5	15.7	16	24	—	11.5	30	1981982-1

- △ THIS PRODUCT WAS COATED BY FLUX-PENETRATION -INHIDTING AGENT.
- 2 HOUSING COLOR : NATURAL
- △ HOUSING COLOR : BLACK

THIS DRAWING IS A CONTROLLED DOCUMENT.

DIMENSIONS: MM	TOLERANCES UNLESS OTHERWISE SPECIFIED:	DWN Y.NAKAZAWA 02APR2007	Tyco Electronics AMP K.K. Kawasaki,japan	
	0 PLC ± 0.2	CHK T.FUTATSUGI 02APR2007	EMBOSS ASSY	
	1 PLC ± 0.2	APVD T.FUTATSUGI 02APR2007	FH 0.6BTB CONNECTOR	
	2 PLC ± 0.2	PRODUCT SPEC	PLUG 6H WITH G-PLATE AU-PLATED 0.00076mm	
	3 PLC ± 0.2	APPLICATION SPEC	SIZE	CAGE CODE
	4 PLC ± 0.2	WEIGHT	DRAWING NO	RESTRICTED TO
	ANGLES ± 5'		A3	00779
MATERIAL	FINISH	CUSTOMER DRAWING	C-1981982	
			SCALE	SHEET
			1:1	1 OF 3
				REV C

THIS DRAWING IS UNPUBLISHED.

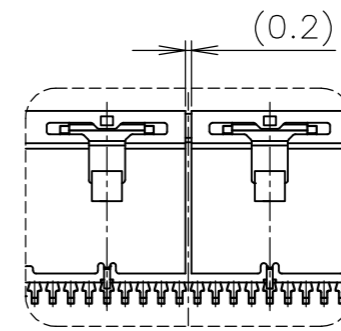
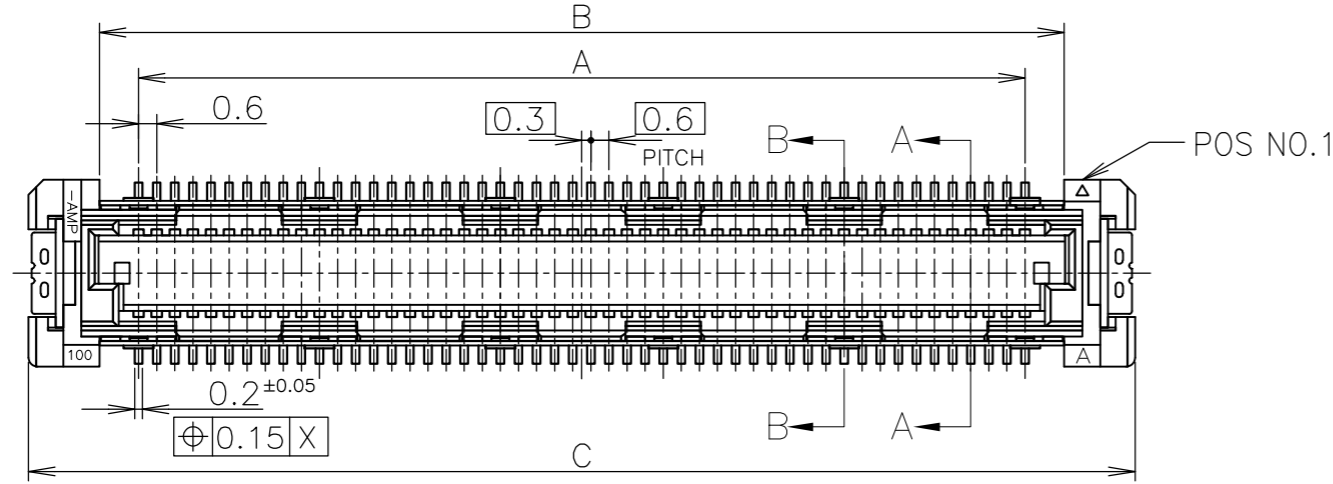
RELEASED FOR PUBLICATION APR , 2007.

© COPYRIGHT 2007 BY TYCO ELECTRONICS CORPORATION. ALL RIGHTS RESERVED.

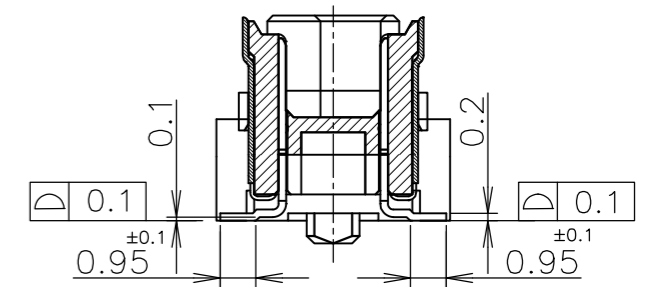
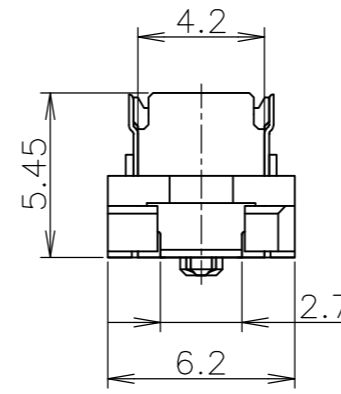
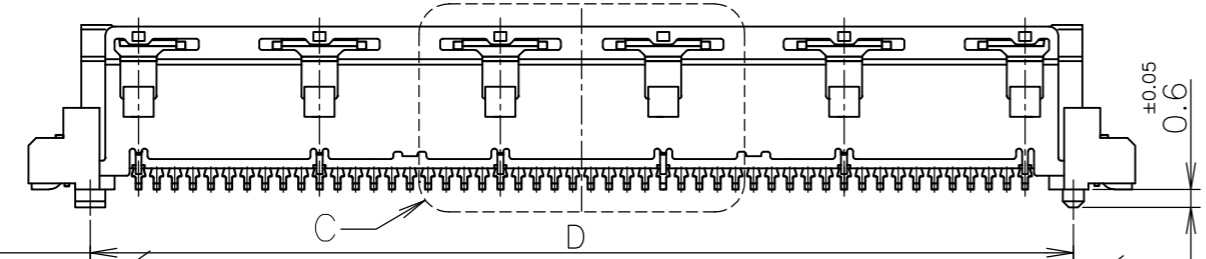
LOC J DIST

REVISIONS

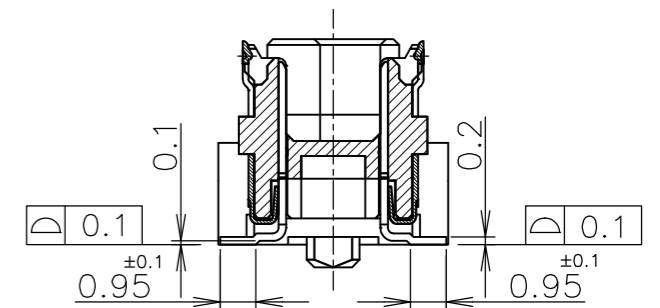
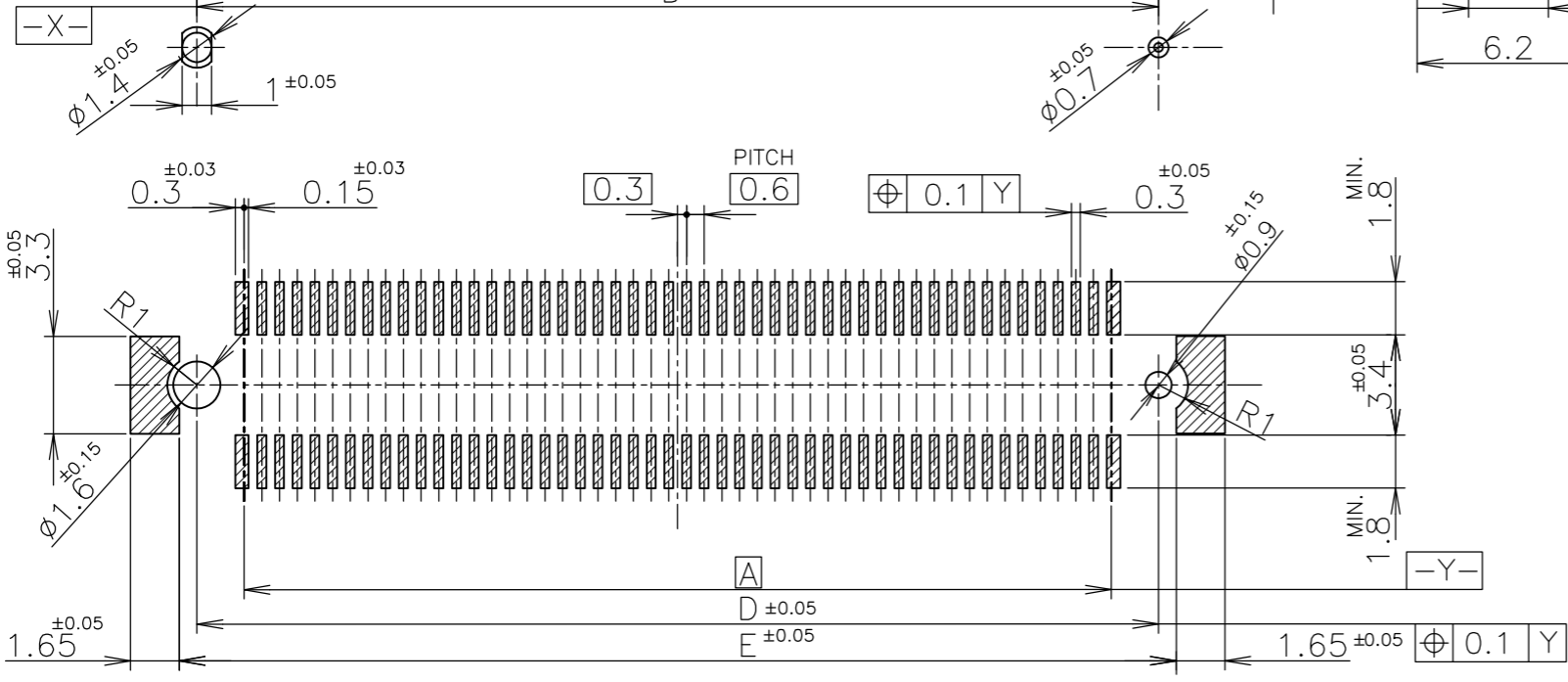
P	LTR	DESCRIPTION	DATE	DWN	APVD
-	-	SEE SHEET 1	-	-	-



DETAIL C
180P~240P ONLY



A-A
(SIGNAL POSITION)
(SCALE 5:1)



B-B
(GROUND POSITION)
(SCALE 5:1)

RECOMMENDED P.C.BOARD LAYOUT

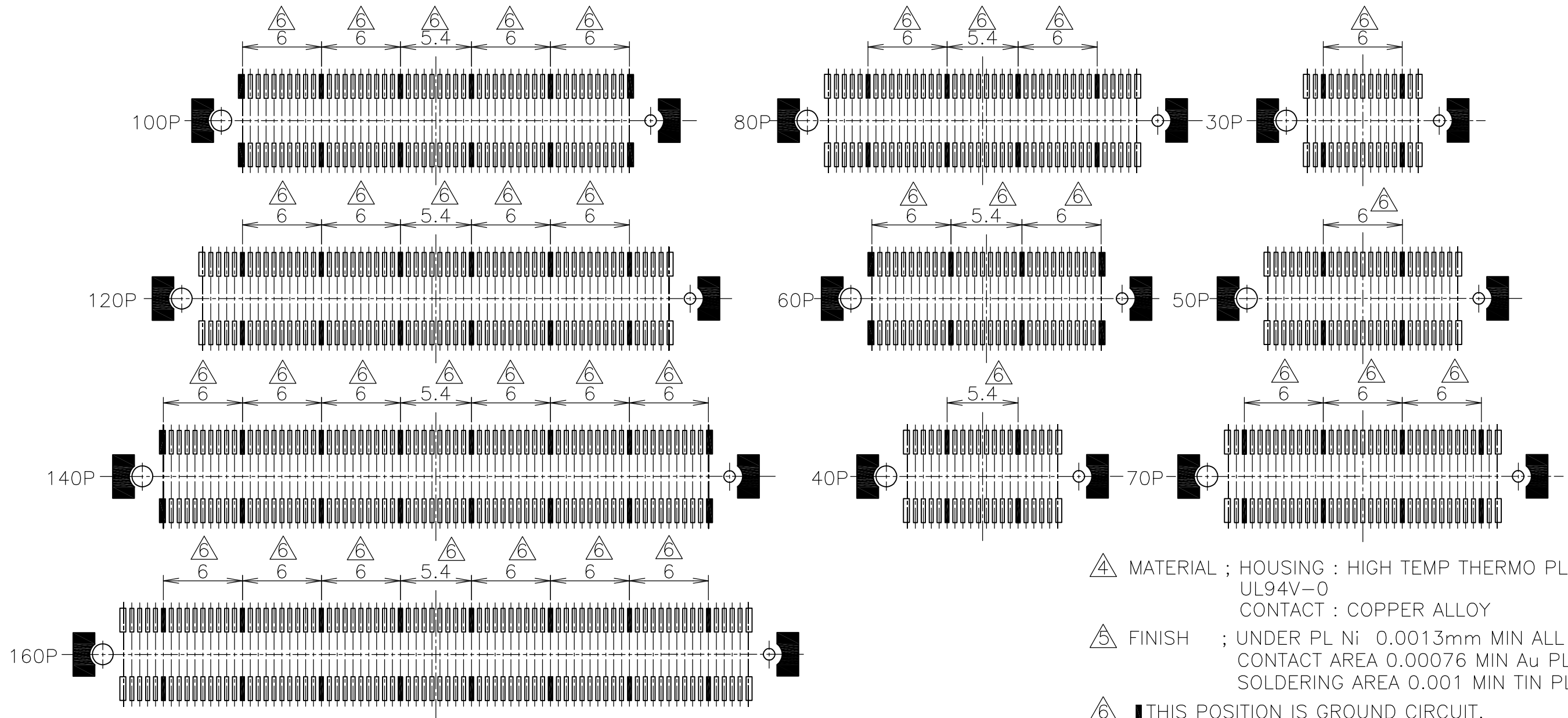
NOT AVAILABLE	21.8	20.6	24.7	20	17.4	60
AVAILABLE	51.8	50.6	54.7	50	47.4	160
NOT AVAILABLE	45.8	44.6	48.7	44	41.4	140
↑	39.8	38.6	42.7	38	35.4	120
	33.8	32.6	36.7	32	29.4	100
	30.8	29.6	33.7	29	26.4	90
	27.8	26.6	30.7	26	23.4	80
	24.8	23.6	27.7	23	20.4	70
	21.8	20.6	24.7	20	17.4	60
	19.8	17.6	21.7	17	14.4	50
	15.8	14.6	18.7	14	11.4	40
NOT AVAILABLE	12.8	11.6	15.7	11	8.4	30
TOOLING STATUS	E	D	C	B	A	POS

GENERAL TOLERANCE
 $10 \geq * : \pm 0.2$
 $30 \geq * > 10 : \pm 0.25$
 $100 \geq * > 30 : \pm 0.3$
 ANGLES: $\pm 3^\circ$

THIS DRAWING IS A CONTROLLED DOCUMENT.		DWN	Tyco Electronics		Tyco Electronics AMP K.K.	
DIMENSIONS: MM		CHK	NAME		Kawasaki,japan	
TOLERANCES UNLESS OTHERWISE SPECIFIED:		APVD	PRODUCT SPEC		EMBOSS ASSY	
0 PLC ± -		PRODUCT SPEC	APPLICATION SPEC		FH 0.6BTB CONNECTOR	
1 PLC ± -		APPLICATION SPEC	SIZE	CAGE CODE	DRAWING NO	RESTRICTED TO
2 PLC ± -		WEIGHT	A3	00779	C-1981982	-
3 PLC ± -		CUSTOMER DRAWING	SCALE 4:1		SHEET 2 OF 3	REV C
4 PLC ± -						
ANGLES ± -						
FINISH						

THIS DRAWING IS UNPUBLISHED. RELEASED FOR PUBLICATION APR , 2007.
 © COPYRIGHT 2007 BY TYCO ELECTRONICS CORPORATION. ALL RIGHTS RESERVED.

LOC J	DIST /	REVISIONS		
P	LTR	DESCRIPTION	DATE	DWN
		SEE SHEET 1	-	-
				APVD



- △ 4 MATERIAL ; HOUSING : HIGH TEMP THERMO PLASTIC UL94V-0
CONTACT : COPPER ALLOY
- △ 5 FINISH ; UNDER PL Ni 0.0013mm MIN ALL OVER.
CONTACT AREA 0.00076 MIN Au PL.
SOLDERING AREA 0.001 MIN TIN PL.
- △ 6 THIS POSITION IS GROUND CIRCUIT.

GENERAL TOLERANCE
 10 ≥ * : ± 0.2
 30 ≥ * > 10 : ± 0.25
 100 ≥ * > 30 : ± 0.3
 ANGLES : ± 3°

THIS DRAWING IS A CONTROLLED DOCUMENT.	
DIMENSIONS: MM	TOLERANCES UNLESS OTHERWISE SPECIFIED:
	0 PLC ± -
	1 PLC ± -
	2 PLC ± -
	3 PLC ± -
	4 PLC ± -
	ANGLES ± -
MATERIAL	FINISH

DWN	---	Tyco Electronics Tyco Electronics AMP K.K. Kawasaki, Japan
CHK	---	
APVD	---	
PRODUCT SPEC	---	NAME
APPLICATION SPEC	---	EMBOSS ASSY FH 0.6BTB CONNECTOR PLUG 6H WITH G-PLATE AU-PLATED 0.00076mm
WEIGHT	---	SIZE
CUSTOMER DRAWING	---	CAGE CODE
	---	DRAWING NO
	---	RESTRICTED TO
	---	A3 00779 C-1981982
	---	SCALE
	---	3:1
	---	SHEET
	---	3 OF 3
	---	REV
	---	C