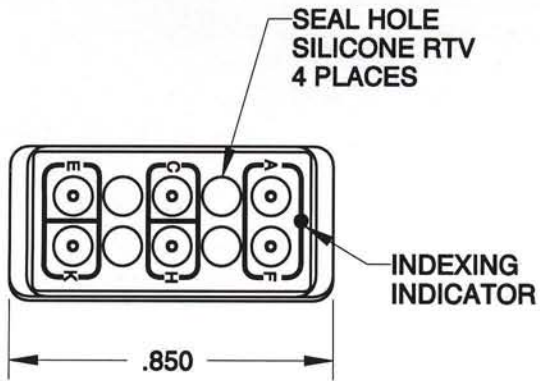
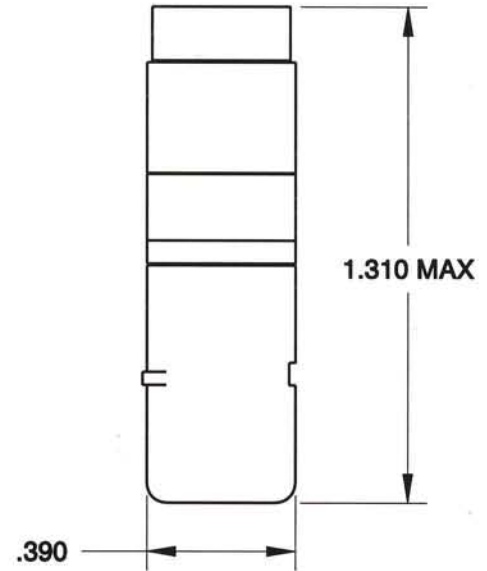
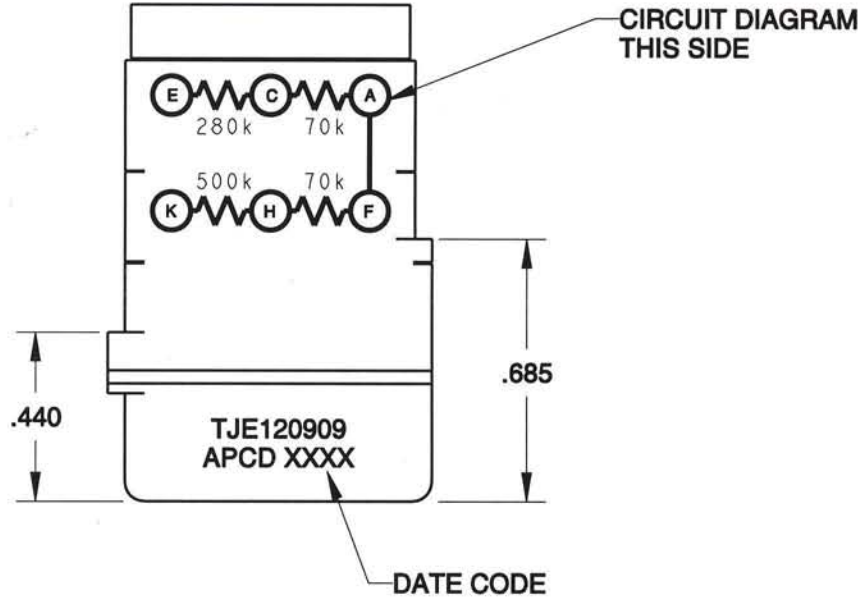


REV	ECN	APP'D
-	5837	JTS-106



- NOTES:
- MATERIALS:
 HOUSING - POLYETHERIMIDE, COLOR: BLACK.
 GROMMET - SILICONE ELASTOMER, COLOR: BLUE
 RESISTORS - 2X 70KΩ, 1/4W
 280KΩ, 1/4W
 500KΩ, 1/4W
 - ACCEPTS PIN CONTACTS M39029/1-101 (NOT INCLUDED.)



DIMENSIONS ANSI Y14.5M UNITS: INCHES Pro/E FILE	TOLERANCES .XX ±0.01 .XXX ±0.005 ANGLES ±1.0°	PROJECTION 	Amphenol Pcd SPECIFICATION DRAWING		TITLE ELECTRONIC MODULE 270/170 VOLTAGE DIVIDER SIZE 20		
			DRWN D. LANG 05/01/06	ENGR	SIZE A	DWG NO. TJE120909	REV -
			THIS DOCUMENT CONTAINS PROPRIETARY INFORMATION WHICH IS THE CONFIDENTIAL PROPERTY OF AMPHENOL PCD INC., PEABODY, MA			APPD 	CODE: 58982 SCALE: 2:1 SHEET 1 OF 1