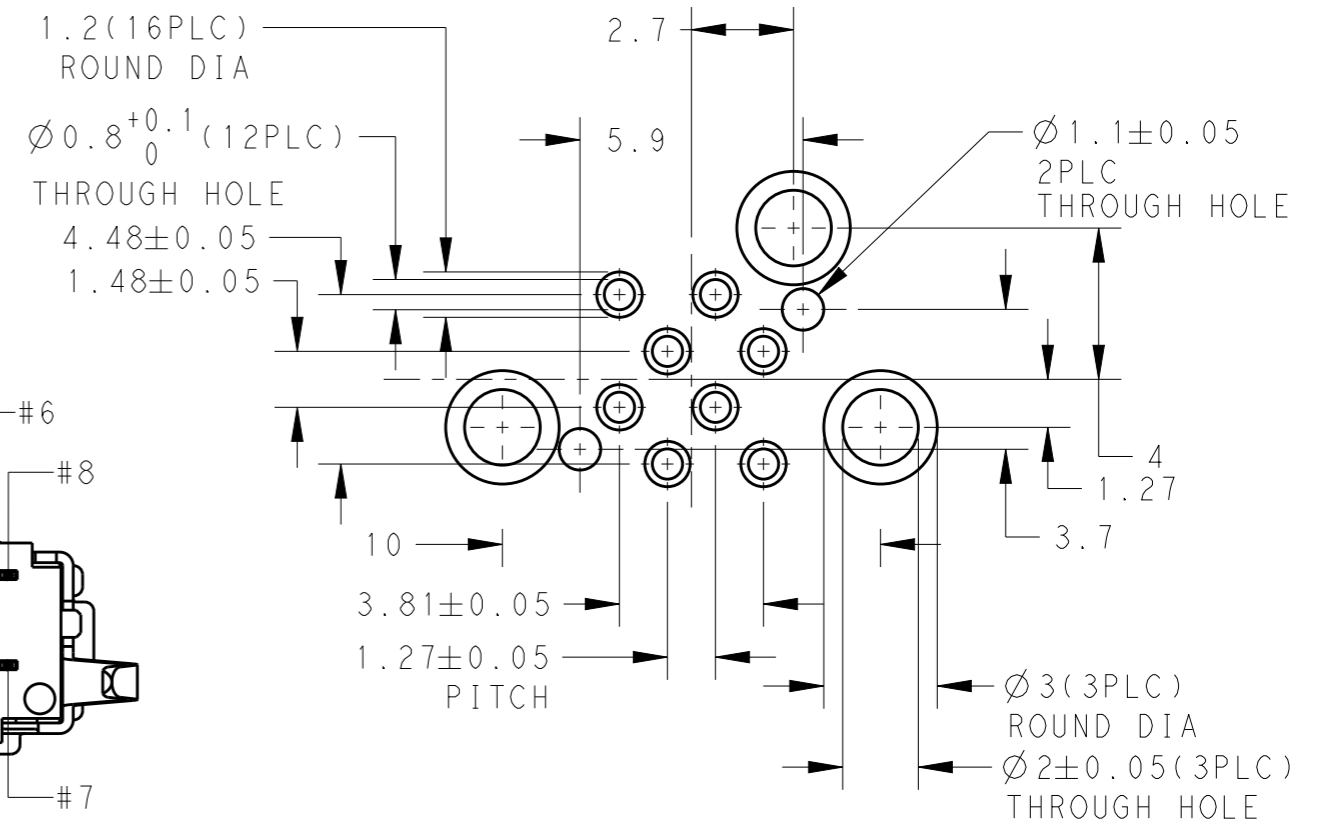
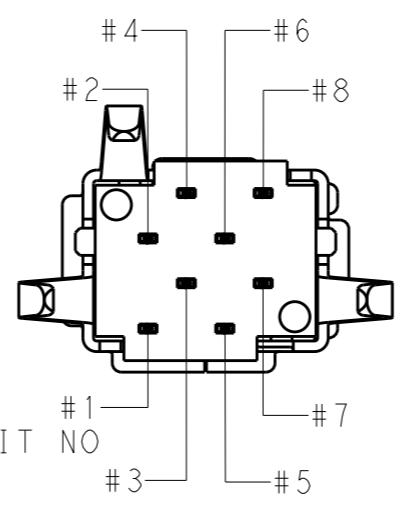
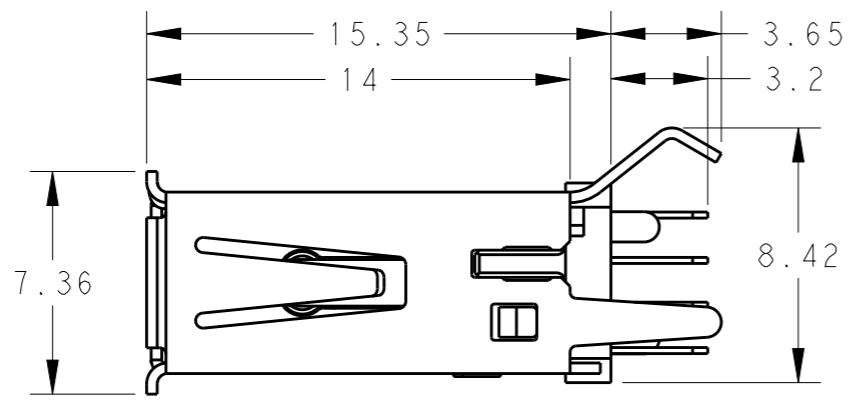
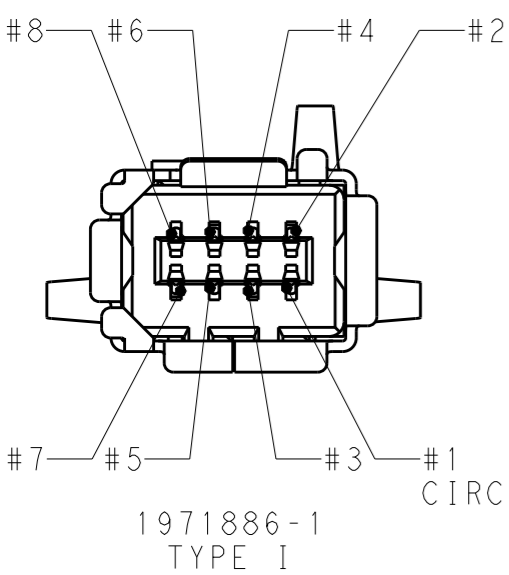
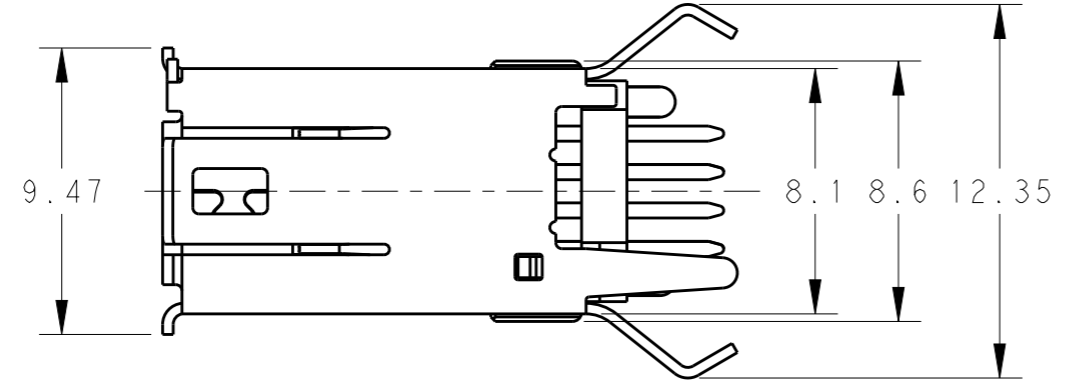
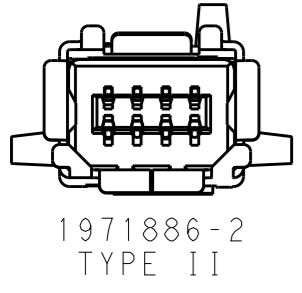
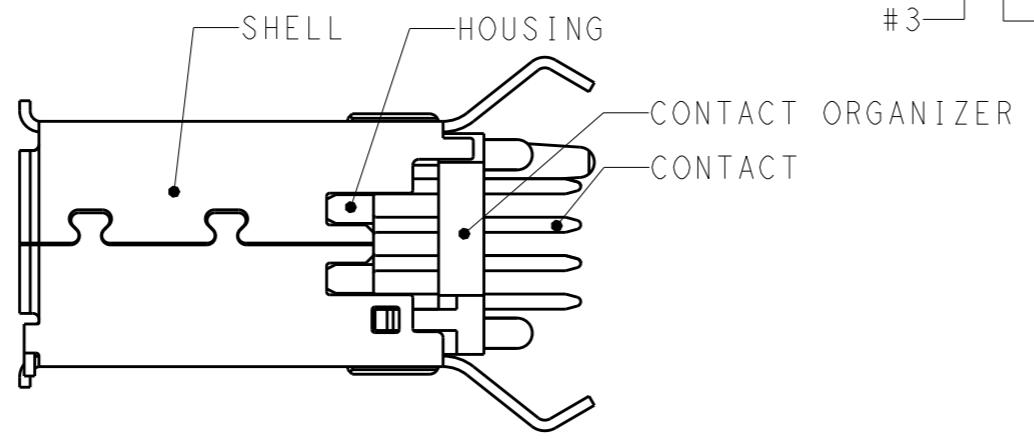


THIS DRAWING IS UNPUBLISHED. RELEASED FOR PUBLICATION 20
 © COPYRIGHT 20 ALL RIGHTS RESERVED.

LOC		DIST		REVISIONS			
P	LTR	DESCRIPTION		DATE	DWN	APVD	
-	-	A	NEW RELEASE	08JAN2013	H.W.	P.Y.	



RECOMMENDED BOARD DIMENSION
 (CONNECTOR SIDE) +1.6
 Scale 5:1



NOTES:
 1. MATERIAL AND FINISH
 CONTACT: COPPER ALLOY
 UNDER ALL SURFACE NICKEL 1.27µm MIN.
 TOP CONTACT AREA: GOLD 0.5µm MIN
 SOLDERING AREA: TIN PLATE
 HOUSING: THERMO PLASTIC(UL94V-0)
 SHELL: COPPER ALLOY
 UNDER ALL SURFACE NICKEL
 TOP ALL SURFACE TIN

2. GENERAL TOL.: ±0.3; ±5°
 3. PACKAGE: 60PCS PER TRAY FOR 1971886-1 & 1971886-2

POS	DESCRIPTION	PART NO
8	TYPE II THR RECEPTACLE	1971886-2
8	TYPE I THR RECEPTACLE	1971886-1

THIS DRAWING IS A CONTROLLED DOCUMENT.		DWN HAO WANG 08JAN2013	 TE Connectivity NAME THR VERTICAL MINI I/O RECEPTACLE 1.27mmPITCH
DIMENSIONS: mm		CHK DAVID WANG 08JAN2013	
TOLERANCES UNLESS OTHERWISE SPECIFIED:		APVD PETER YIN 08JAN2013	
0 PLC ± 1 PLC ± 2 PLC ± 3 PLC ± 4 PLC ± ANGLES ±		PRODUCT SPEC 108-106087	
MATERIAL -	FINISH -	APPLICATION SPEC -	SIZE A3 CAGE CODE 00779 DRAWING NO C-1971886 RESTRICTED TO -
CUSTOMER DRAWING			SCALE 1:1 SHEET 1 OF 1 REV A