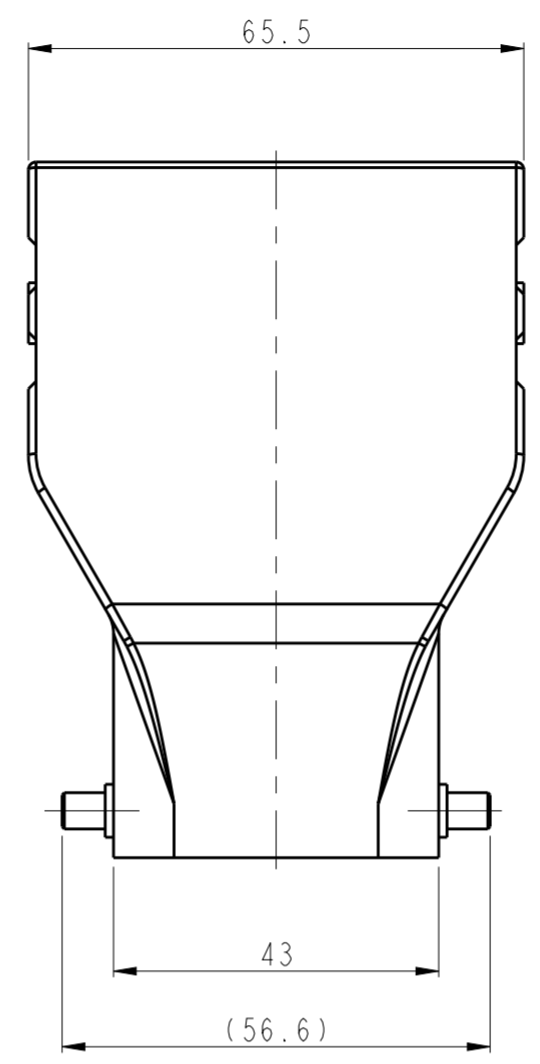
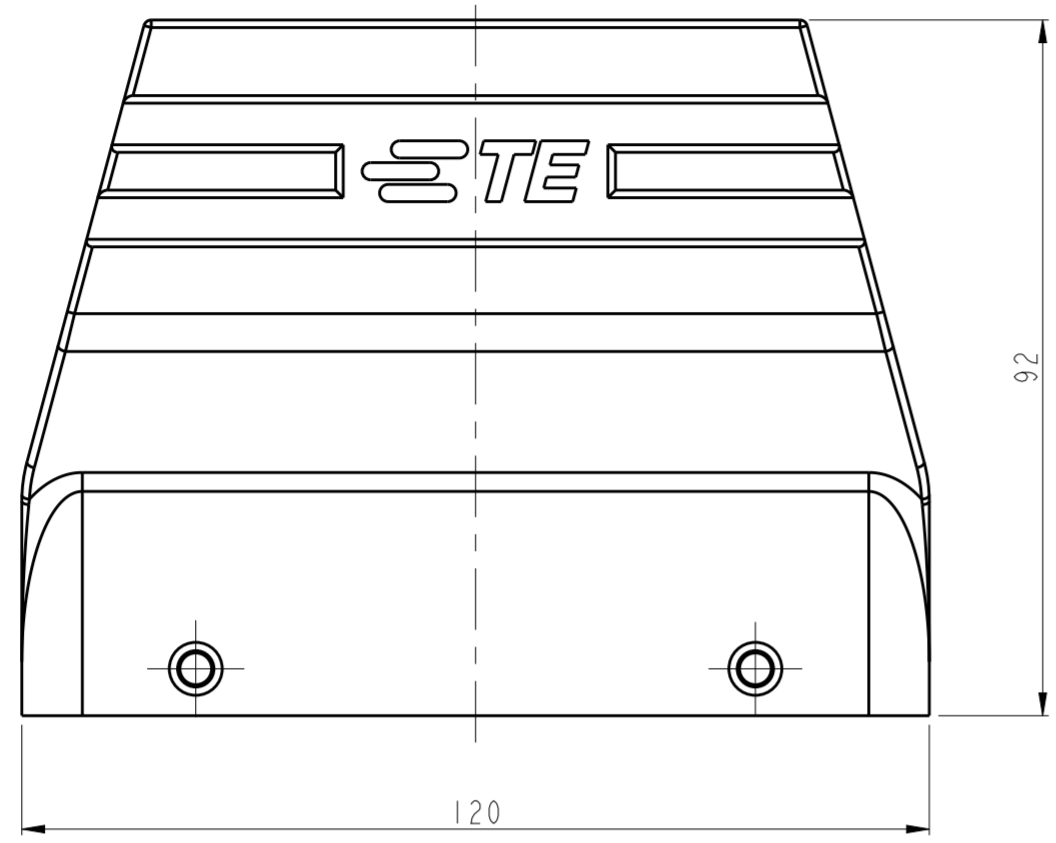


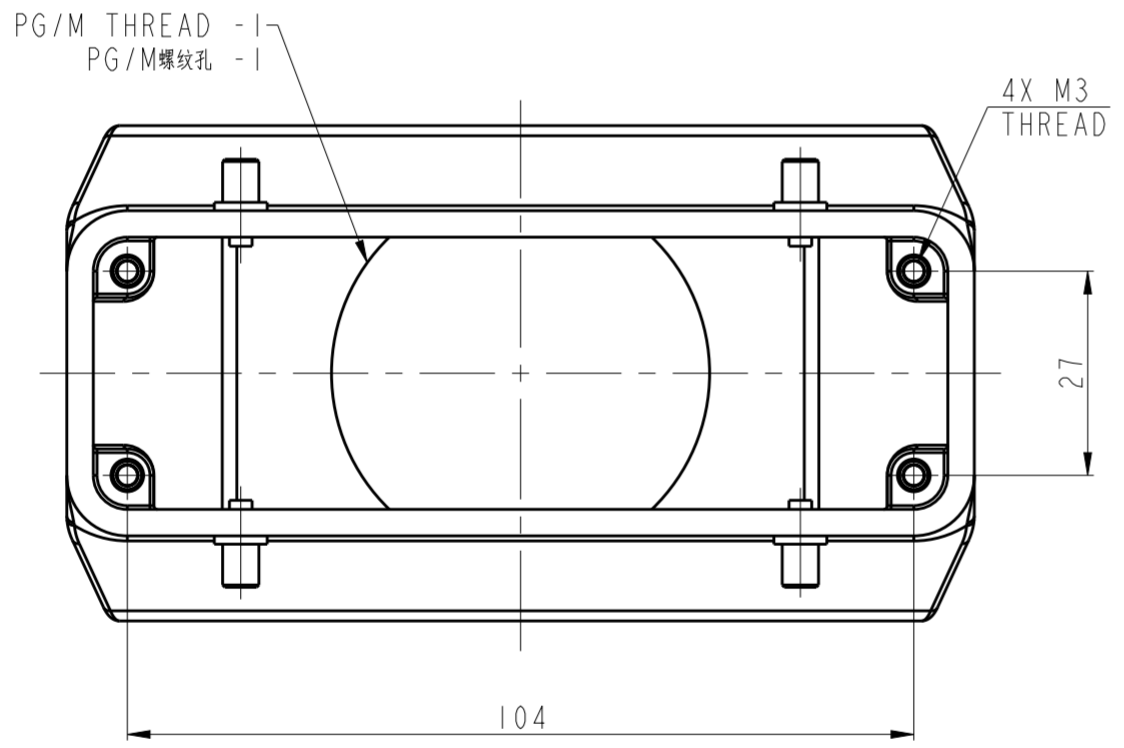
THIS DRAWING IS UNPUBLISHED. RELEASED FOR PUBLICATION 20
 © COPYRIGHT 20 BY - ALL RIGHTS RESERVED.

REVISIONS				
P	LTR	DESCRIPTION	DATE	APVD
	A	INITIAL	22OCT2015	RL CW

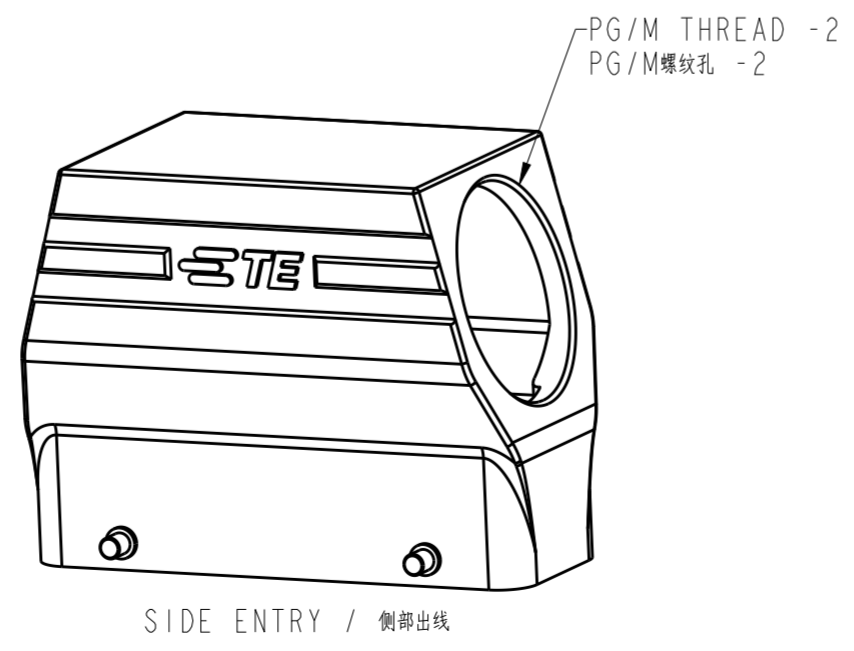
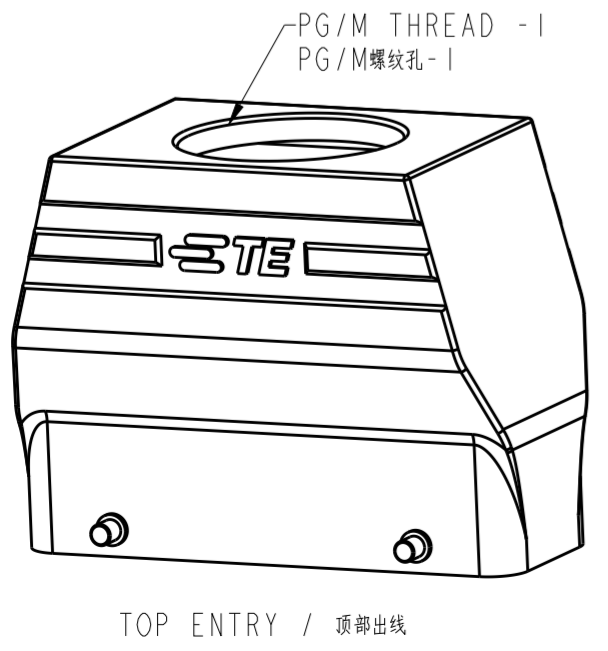


NOTES:
 1. TECHNICAL CHARACTERISTICS:
 HOOD MATERIAL: DIE CAST ALUMINUM ALLOY
 SURFACE: POWDER COATED, GREY
 DEGREE OF PROTECTION: IP65 (MATED)

注释
 1. 技术要求:
 上壳材料: 铝合金
 表面处理: 灰色粉末喷涂
 防护等级: IP65(配合)



PART NUMBER	PART DESCRIPTION	PG/M THREAD -1	PG/M THREAD -2	TYPE
T1236240129-000	H24B-XWTSH-PG29 H24B HOOD, SIDE ENTRY PG29, 4 EAR, HIGH CONSTRUCTION, INNER WIDEN H24B上壳(侧出PG29, 4耳, 高结构, 内腔加宽)	-	PG29	SIDE ENTRY 侧出
T1236240136-000	H24B-XWTSH-PG36 H24B HOOD, SIDE ENTRY PG36, 4 EAR, HIGH CONSTRUCTION, INNER WIDEN H24B上壳(侧出PG36, 4耳, 高结构, 内腔加宽)	-	PG36	
T1236240140-000	H24B-XWTSH-M40 H24B HOOD, SIDE ENTRY M40, 4 EAR, HIGH CONSTRUCTION, INNER WIDEN H24B上壳(侧出M40, 4耳, 高结构, 内腔加宽)	-	M40	
T1236240150-000	H24B-XWTSH-M50 H24B HOOD, SIDE ENTRY M50, 4 EAR, HIGH CONSTRUCTION, INNER WIDEN H24B上壳(侧出M50, 4耳, 高结构, 内腔加宽)	-	M50	
T1246240129-000	H24B-XWTGH-PG29 H24B HOOD, TOP ENTRY PG29, 4 EAR, HIGH CONSTRUCTION, INNER WIDEN H24B上壳(顶出PG29, 4耳, 高结构, 内腔加宽)	PG29	-	TOP ENTRY 顶出
T1246240136-000	H24B-XWTGH-PG36 H24B HOOD, TOP ENTRY PG36, 4 EAR, HIGH CONSTRUCTION, INNER WIDEN H24B上壳(顶出PG36, 4耳, 高结构, 内腔加宽)	PG36	-	
T1246240140-000	H24B-XWTGH-M40 H24B HOOD, TOP ENTRY M40, 4 EAR, HIGH CONSTRUCTION, INNER WIDEN H24B上壳(顶出M40, 4耳, 高结构, 内腔加宽)	M40	-	
T1246240150-000	H24B-XWTGH-M50 H24B HOOD, TOP ENTRY M50, 4 EAR, HIGH CONSTRUCTION, INNER WIDEN H24B上壳(顶出M50, 4耳, 高结构, 内腔加宽)	M50	-	
PART NUMBER 料号	PART DESCRIPTION 描述	PG/M THREAD -1 PG/M螺纹孔-1	PG/M THREAD -2 PG/M螺纹孔-2	TYPE 类型



THIS DRAWING IS A CONTROLLED DOCUMENT.

DWN ROY LIU 22OCT2015	 TE Connectivity
CHK KYLE ZENG 22OCT2015	
APVD CHRIS WANG 22OCT2015	
PRODUCT SPEC 108-137013	
MATERIAL	NAME H24B-XWTGH/TSH-PG/M
TOLERANCES UNLESS OTHERWISE SPECIFIED: 0 PLC ± 1 PLC ± 2 PLC ± 3 PLC ± 4 PLC ± ANGLES ±	APPLICATION SPEC 114-137013
FINISH	SIZE A2
	CAGE CODE 00779
	DRAWING NO G-T12X62401XX000
	RESTRICTED TO
	SCALE 3:5
	SHEET 1 OF 1
	REV A

CUSTOMER DRAWING