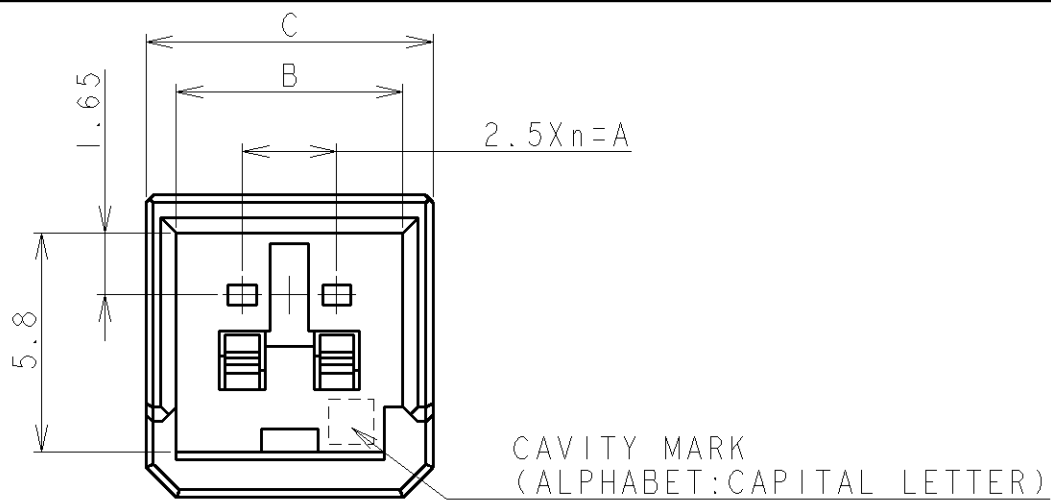
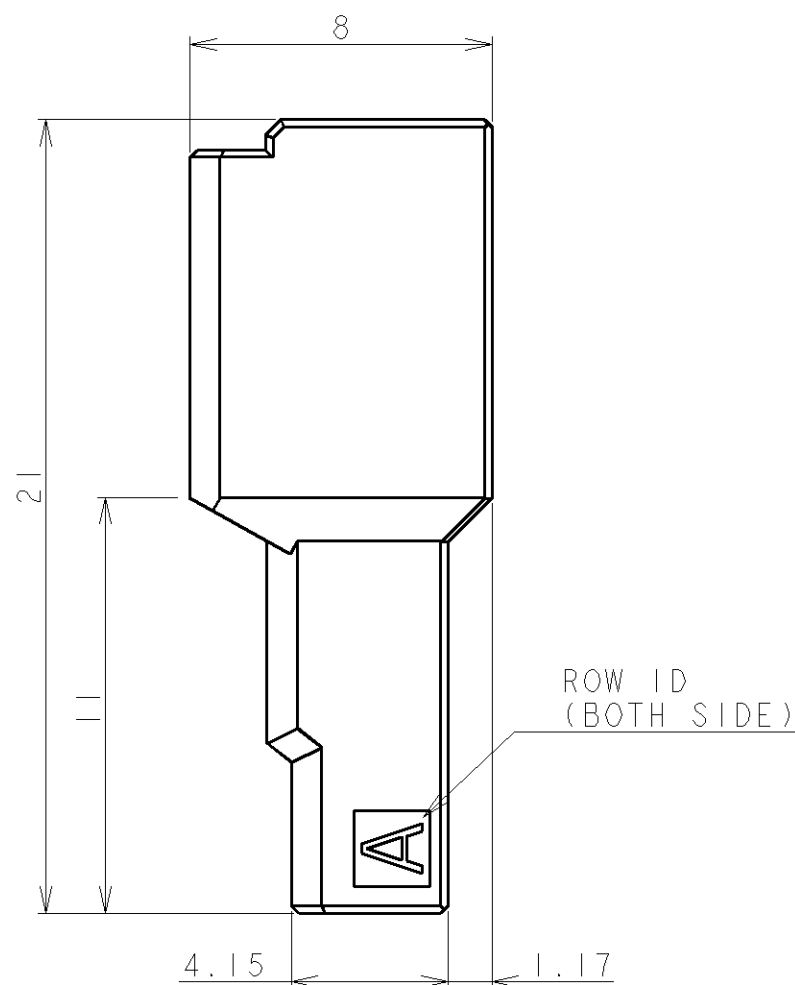
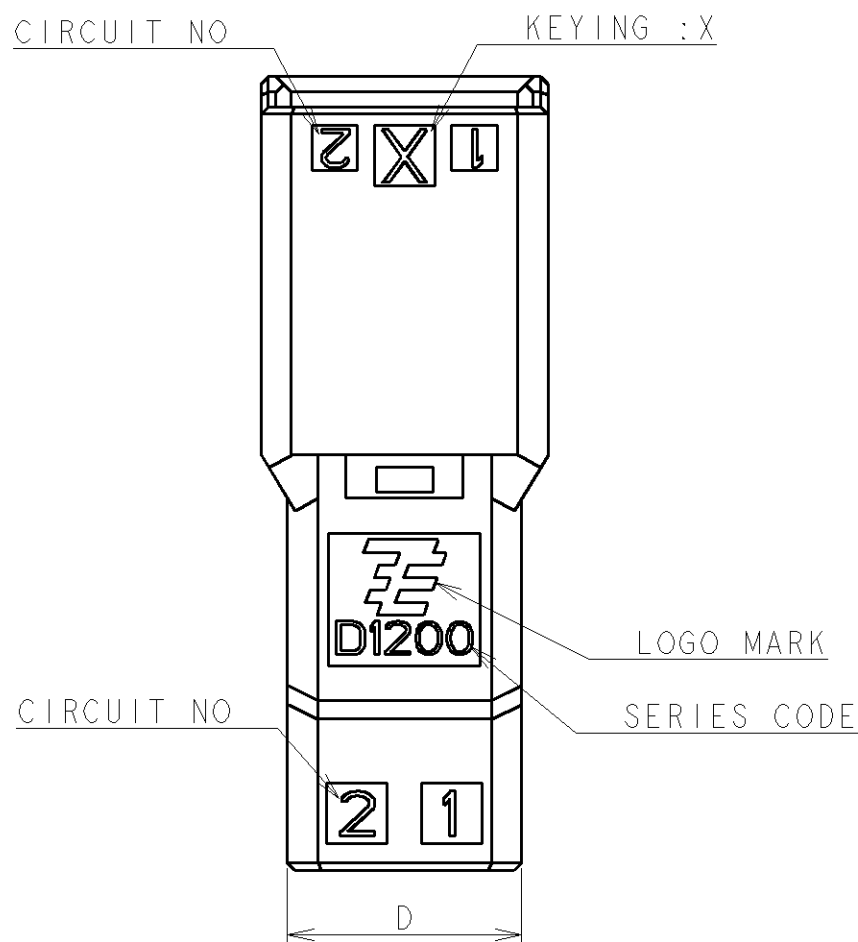


THIS DRAWING IS UNPUBLISHED. RELEASED FOR PUBLICATION 2006
 © COPYRIGHT 2006 BY TYCO ELECTRONICS CORPORATION. ALL INTERNATIONAL RIGHTS RESERVED.

LOC	DIST	REVISIONS					
		P	LTR	DESCRIPTION	DATE	DWN	APVD
J			B	REVOSED PER ECR-10-007266	20APR2010	HMR	T.M



2POS(X-KEY): 1-1903129-2



1. MATERIAL: GLASS FILED THERMO PLASTIC POLYESTER(94V-0), COLOR: BLACK
 2. THE SHAPE, SIZE AND POSITION OF THE CHARACTER SHOW THE OUTLINE. THEY DON'T SHOW DETAILS.

1. 材料: ガラス入り熱可塑性ポリエステル樹脂(94V-0), 色: 黒
 2. 文字の形状、大きさ、および位置については、大略を示すものであり、詳細を示すものではありません。

AS SHOWN 2POS : 1-1903129-2

2	X	1	2.5	6.0	7.6	6.2	1-1903129-2
POS.	KEY	n	A	B	C	D	PART NO

THIS DRAWING IS A CONTROLLED DOCUMENT FOR TYCO ELECTRONICS CORPORATION. IT IS SUBJECT TO CHANGE AND THE CONTROLLING ENGINEERING ORGANIZATION SHOULD BE CONTACTED FOR THE LATEST REVISION.		DWN M. MAEBASHI 18APR2006	Tyco Electronics Corporation Kawasaki, Japan	
DIMENSIONS: 単位: ㎜		CHK T. KUDO 18APR2006		
TOLERANCES UNLESS OTHERWISE SPECIFIED: 一般公差 ±0.3, ±3°		APVD D. MITSUGI 18APR2006	NAME 名称 DYNAMIC DI200S 2.5mm PITCH TAB HSG, FREE HANGING TYPE 2 POS	
		PRODUCT SPEC 製品規格 108-78268, 78298	SIZE A3	
MATERIAL 材料		APPLICATION SPEC 取付適用規格 114-5377	CAGE CODE 00779	
FINISH 仕上		WEIGHT	DRAWING NO C=1903129	
CUSTOMER DRAWING		SCALE 尺度 5:1		RESTRICTED TO REV B