

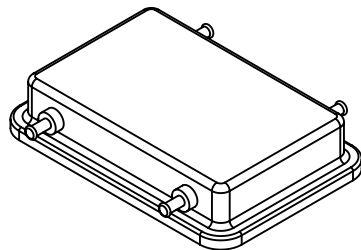
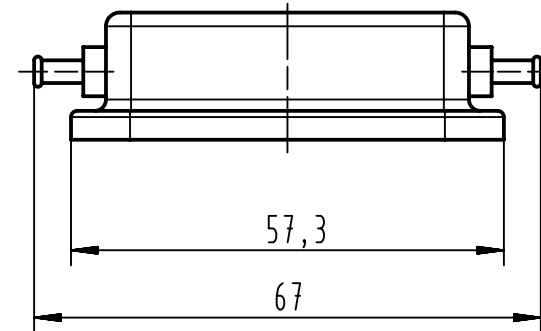
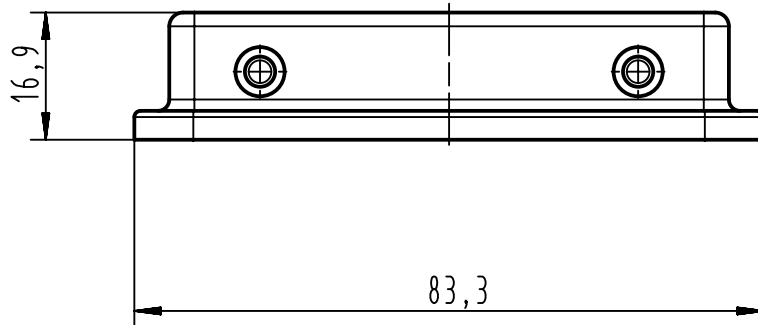
1 2 3 4 5 6

A

B

C

D



	All rights reserved Department EL PD - DE	Created by GRUBES		Inspected by SCHLEPP		Standardisation SCHMIDTM		Date 2012-08-01		State Final Release	
		Title Dust protection cover Han 32A for ML								Doc-Key / ECM-Nr. 100508714/UGD/001/A 500000054046	
HARTING Electric GmbH & Co. KG D-32339 Espelkamp		Type TB		Number 09 20 032 5405ML				Rev. A		Page 1/1	
 All Dimensions in mm Original Size DIN A4		Scale 1:1		Free size tol.				Ref.		Sub.	