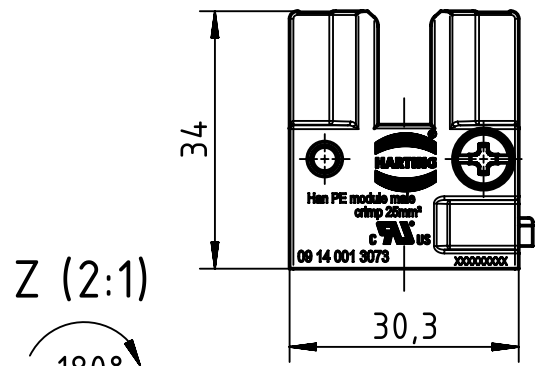
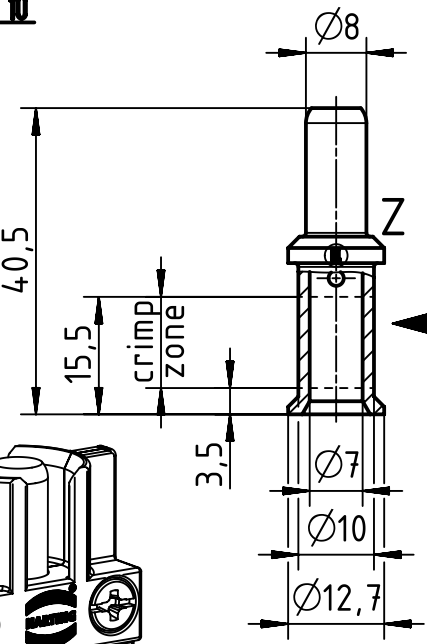
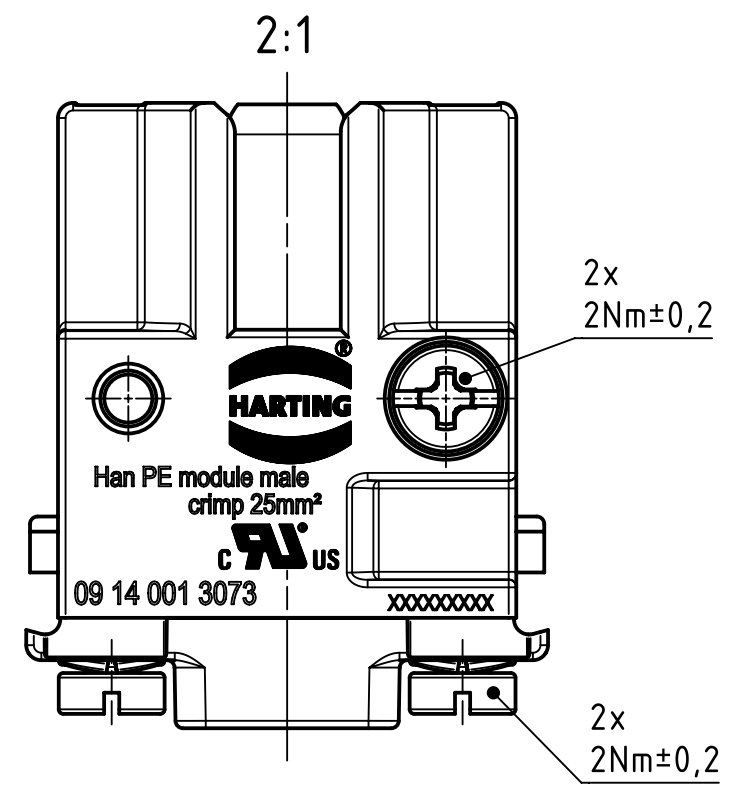
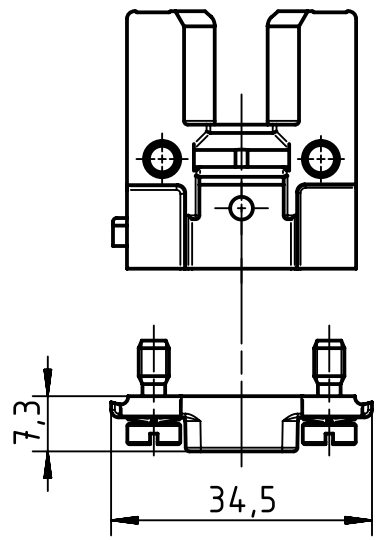


1 2 3 4 5 6

A  
B  
C  
D

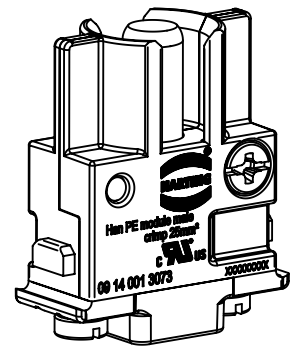


Z (2:1)  
180°



number of crimps

assembly notes see catalog  
 crimp zone acc. to DIN EN 46235; indicator 10  
 for stranded fine wire acc. to VDE 0295 class 5 / IEC 60228 class 5  
 wire gauge: 25mm<sup>2</sup>  
 stripping length: 19mm



	All Dimensions in mm Original Size DIN A4		Scale 1:1	Free size tol.		Ref.
						Sub.
	All rights reserved		Created by DICK	Inspected by SCHLEGEL	Standardisation TIEMANNA	Date 2016-05-11
	Department EL PD - DE		Title Han PE-module male crimp 25qmm			State Final Release
HARTING Electric GmbH & Co. KG D-32339 Espelkamp			Type TB	Number 09 14 001 3073		Doc-Key / ECM-Nr. 100614410/UGD/002/C 500000104304
					Rev. C	Page 1/1