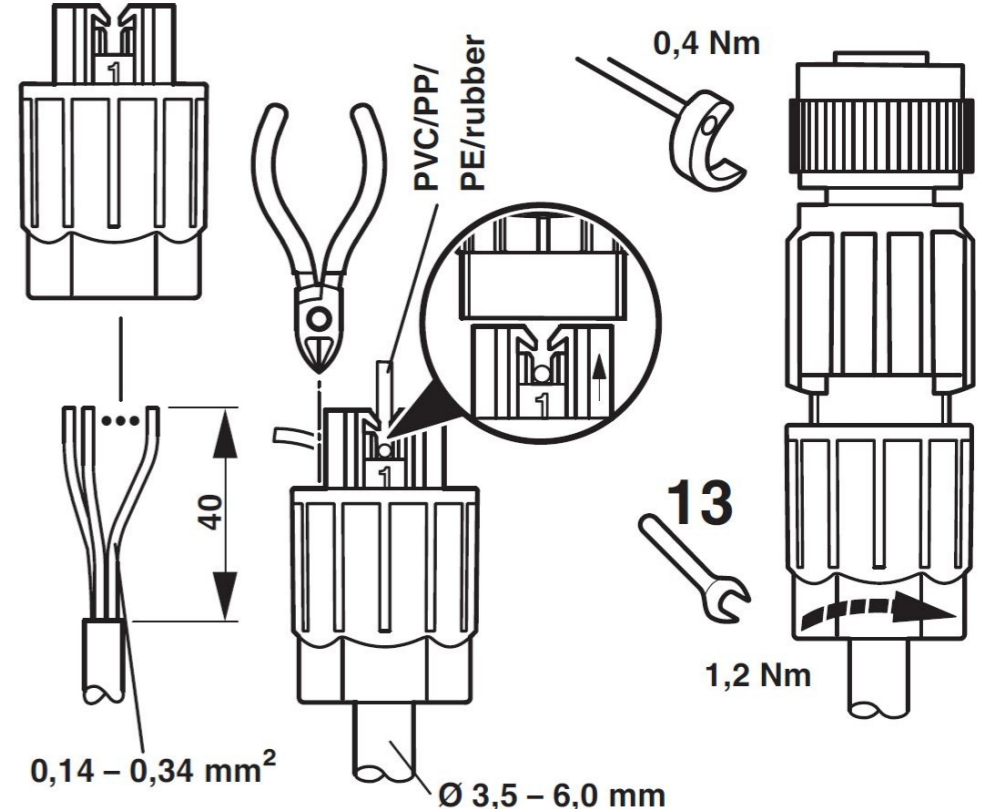


SCALE 2:1

ENG.-No.: 8A4000-51



NOTES:

- Ambient temperature (operation):  
-25 °C ... 80 °C (Plug / socket)
- Degree of protection: IP65
- Degree of protection: IP67
- General:
- Rated current at 40°C: 4 A
- Rated voltage: 125 V
- Number of poles: 4
- Connection method:  
Insulation displacement connection
- Conductor cross section: 0.14 mm<sup>2</sup> ... 0.34 mm<sup>2</sup>
- Wire diameter including insulation: 0.7 mm ... 1.6 mm
- Cable outlet: 3.5 mm ... 6 mm ±0.2 mm
- Structure of individual litz in acc. with VDE 0295 / smallest wire diameter: Class 2-6
- Contact material: CuSn
- Contact surface material: Ni/Au

THIS DRAWING CONTAINS INFORMATION THAT IS PROPRIETARY TO MOLEX INCORPORATED AND SHOULD NOT BE USED WITHOUT WRITTEN PERMISSION										
QUALITY SYMBOLS ▽ = 0 ▽ = 0 ▽ = 0 ▼ = 0 ▽ = 0 ⊗ = 0 ■ = 0 ▽ = 0	EC DESCRIPTION EC NO.: 108741 DRWN: THAERDT CHK'D: REV APPR: RSILLER	2016/09/23 2016/09/23	GENERAL TOLERANCES (UNLESS SPECIFIED)		DIMENSION UNITS	SCALE				
			ANGULAR TOL ± 1.0 °		MM	4:1				
			4 PLACES ±	DRWN BY	DATE	MSCHWARZ 2015/09/01				
			3 PLACES ±	CHK'D BY	DATE					
			2 PLACES ± 0.05	APPR BY	DATE					
1 PLACE ± 0.3	DRAWING SIZE		THIRD ANGLE PROJECTION		PRODUCT CUSTOMER DRAWING					
0 PLACES ± 0.5	DRAFT WHERE APPLICABLE MUST REMAIN WITHIN DIMENSIONS		A3			SERIES	MATERIAL NUMBER	CUSTOMER		
						120071	1200710087	GENERAL MARKET		
						DOCUMENT NUMBER		DOC TYPE	DOC PART	SHEET NUMBER
						1200710087		PSD	000	1 OF 1