

## Seal - HC-B 10-FL-DI-N - 1411449

Please be informed that the data shown in this PDF Document is generated from our Online Catalog. Please find the complete data in the user's documentation. Our General Terms of Use for Downloads are valid (<http://phoenixcontact.com/download>)



Replacement flange seal, for HEAVYCON type B10 panel mounting base, latching, for panel mounting base with snapped-on flat gaskets, not for HC-....EMV housing, color: black



### Key Commercial Data

|                        |          |
|------------------------|----------|
| Packing unit           | 1 pc     |
| Minimum order quantity | 10 pc    |
| Custom tariff number   | 40169300 |
| Country of origin      | Germany  |

### Technical data

#### General

|                       |   |
|-----------------------|---|
| Assembly instructions | Not for HC-...EMC housings                          |
| Connection            | for panel mounting base with snapped on flat gasket |

#### Ambient conditions

|                                 |                   |
|---------------------------------|-------------------|
| Ambient temperature (operation) | -40 °C ... 125 °C |
|---------------------------------|-------------------|

### Classifications

#### eCl@ss

|            |          |
|------------|----------|
| eCl@ss 5.1 | 27143424 |
| eCl@ss 6.0 | 27143424 |
| eCl@ss 8.0 | 27449290 |
| eCl@ss 9.0 | 27440290 |

#### ETIM

|          |          |
|----------|----------|
| ETIM 4.0 | EC002498 |
|----------|----------|

# Seal - HC-B 10-FL-DI-N - 1411449

## Classifications

ETIM

|          |          |
|----------|----------|
| ETIM 5.0 | EC002498 |
|----------|----------|

## Approvals

Approvals

---

Approvals

EAC

---

Ex Approvals

---

Approvals submitted

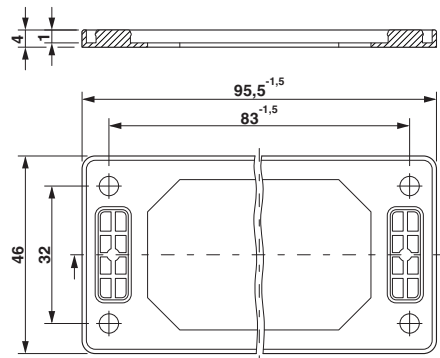
---

## Approval details

|     |
|-----|
| EAC |
|-----|

## Drawings

Dimensional drawing



Dimensional drawing

---