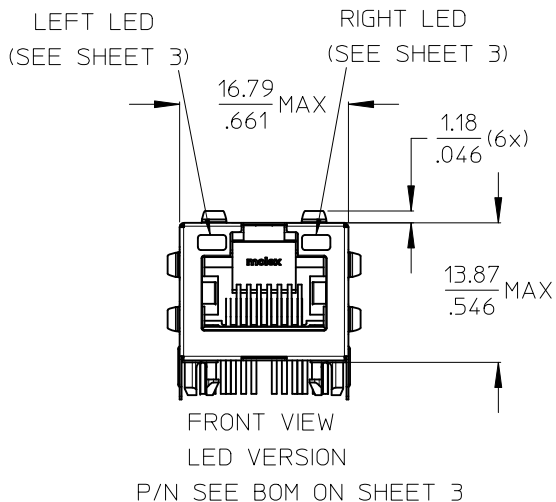
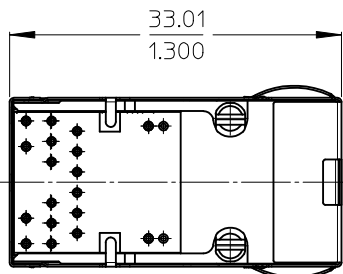
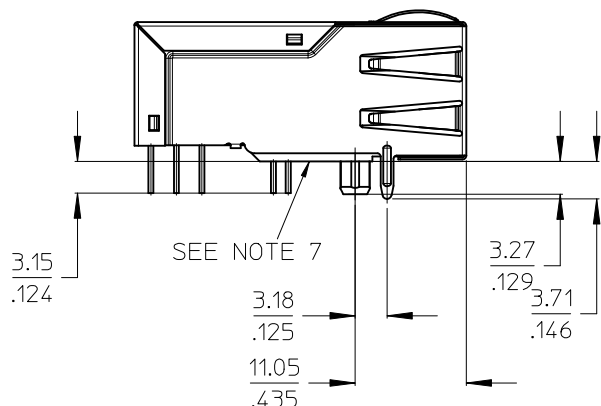
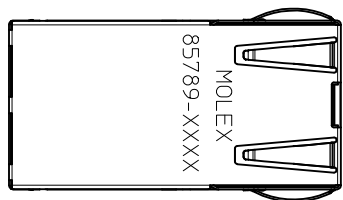
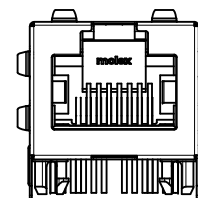


GIGABIT SINGLE PORT MAGNETIC JACK
PoE+ MAGNETICS ACC. TO IEEE802.3at FOR PSE OR PD APPLICATIONS

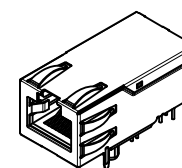


NOTES:

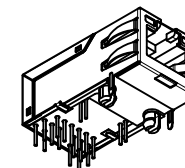
- 1 - SHIELD MATERIAL: STAINLESS STEEL
(GROUND PINS ARE SOLDER DIPPED)
- 2 - PLASTIC MATERIAL: PBT, BLACK, UL 94V-0
- 3 - TERMINALS MATERIAL: PHOSPOR BRONZE CuSn8
RJ45 CONTACTS PLATING: 0.76µm GOLD OVER
1.9µm Ni ON MATING AREA
SOLDER TERMINALS: 3µm Sn
- 4 - JACK TO BE MATED WITH FCC 68.5 PLUGS /
IEC 60603-7 PLUGS
- 5 - PRODUCT SPECIFICATION: PS-85789-001
- 6 - PACKAGING SPECIFICATION: PK-85759-001
- 7 - STAND OFF TO SYSTEM BOARD



FRONT VIEW
NON LED VERSION
P/N 85789-1020

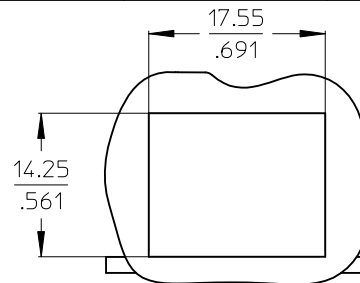
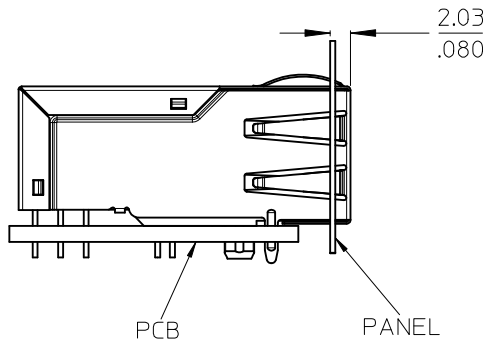


NON LED VERSION
SCALE 1:1



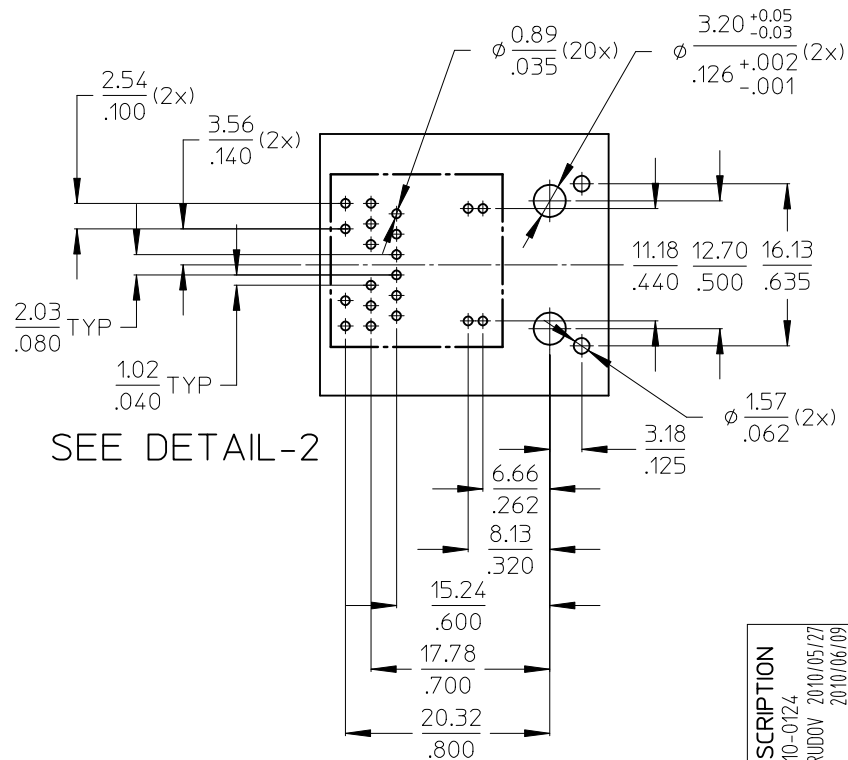
LED VERSION
SCALE 1:1

ENTER DESCRIPTION EC NO: MG2010-0124 DRWN: MMANGARUDOV 2010/05/27 CH'KD: JBADER 2010/06/09 APPR: SSTEINKE 2011/02/09	QUALITY SYMBOLS ▽=0 ▽=0	GENERAL TOLERANCES (UNLESS SPECIFIED)		DIMENSION STYLE MM ONLY		SCALE 2:1	DESIGN UNITS METRIC	THIRD ANGLE PROJECTION		
				mm	INCH	DRAWN BY	DATE	TITLE		
		4 PLACES	± ---	± ---		JBADER	2010/01/14	HYPERJACK POE PLUS ENABLED 1X1 4P		
		3 PLACES	± ---	± ---						
2 PLACES	± 0.05	± ---		MMANGARUDOV	2010/01/14	MOLEX INCORPORATED				
1 PLACE	± 0.10	± ---		SSTEINKE	2010/03/09					
ANGULAR ± .5 °				MATERIAL NO. SEE SHEET 3		DOCUMENT NO. SD-85789-001		SHEET NO. 1 OF 3		
DRAFT WHERE APPLICABLE MUST REMAIN WITHIN DIMENSIONS				THIS DRAWING CONTAINS INFORMATION THAT IS PROPRIETARY TO MOLEX INCORPORATED AND SHOULD NOT BE USED WITHOUT WRITTEN PERMISSION						

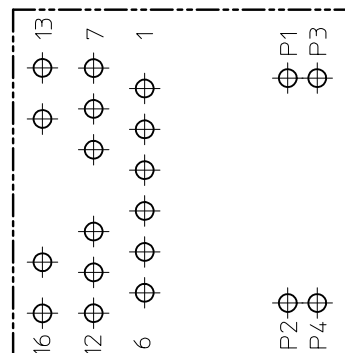


SUGGESTED PANEL CUTOUT

SUGGESTED BOARD LAYOUT - COMPONENT SIDE

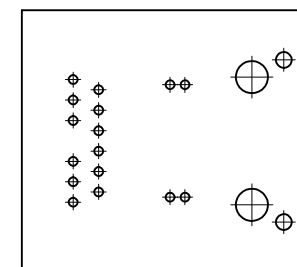


PIN CONFIGURATION



DETAIL-2
SCALE 4:1

SUGGESTED BOARD LAYOUT
NON LED VERSION



ENTER DESCRIPTION	REV	DESCRIPTION
EC NO: MG2010-0124	3	DRWN:MMANGARUDOV 2010/05/27
		CHKD:JBADER 2010/06/09
		APPR:SSTE INKE 2011/02/09

QUALITY SYMBOLS
▽=0
∇=0

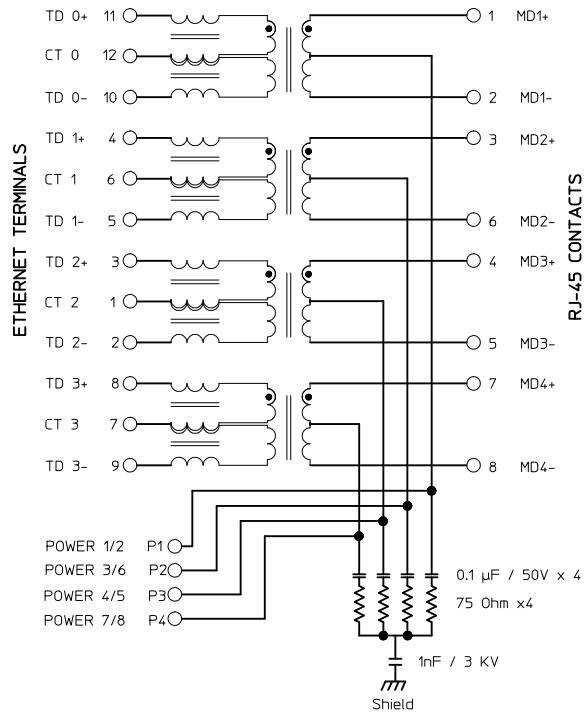
GENERAL TOLERANCES (UNLESS SPECIFIED)	
	mm INCH
4 PLACES	± --- ± ---
3 PLACES	± --- ± ---
2 PLACES	± 0.05 ± ---
1 PLACE	± 0.10 ± ---
ANGULAR ± .5 °	
DRAFT WHERE APPLICABLE MUST REMAIN WITHIN DIMENSIONS	

DIMENSION STYLE	
MM ONLY	
DRAWN BY	DATE
JBADER	2010/01/14
CHECKED BY	DATE
MMANGARUDOV	2010/01/14
APPROVED BY	DATE
SSTE INKE	2010/03/09
MATERIAL NO.	
SEE SHEET 3	

SCALE	DESIGN UNITS	THIRD ANGLE PROJECTION
2:1	METRIC	☉ □
TITLE		
HYPERJACK POE PLUS ENABLED 1X1 4P		
MOLEX INCORPORATED		SHEET NO.
DOCUMENT NO.		2 OF 3
SD-85789-001		

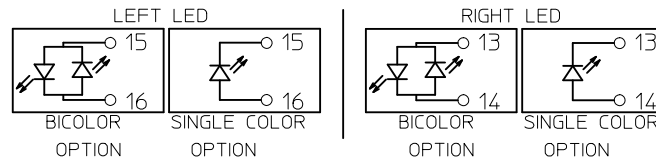
Electrical Specifications @25°C		
Operating temperature (0°C to +70°C)		
Description	Value	
OCL POE+TRANSF. 24mA bias (0°C to +70°C)	350μH min.	
OCL NONPOE TRANSF. 8mA bias (0°C to +70°C)	350μH min.	
Turns Ratio	1CT:1CT	
Insertion Loss	Limits (dB max.)	Typical Values (dB max.)
Frequency (MHz)	1.0-9.9 MHz	0.4+0.1*log(F)
	10-49.9 MHz	0.5 @ 10MHz
	50-79.9 MHz	0.5+0.3*log(F/10)
	80-100 MHz	0.7 @ 50MHz
	1-9.9 MHz	1+1.4*log(F/80)
	10-100 MHz	1.0 @ 80MHz
	1-9.9 MHz	1.3+3*log(F/100)
	10-100 MHz	1.3 @ 100MHz
Return Loss	Limits (dB min.)	TYPICAL Values (dB min.)
Frequency (MHz)	1-9.9 MHz	27dB min.
	10-100 MHz	27 @ 10MHz
	1-9.9 MHz	27dB min.
	10-100 MHz	27 @ 80MHz
	1-9.9 MHz	34dB min.
	10-100 MHz	34 @ 10MHz
	10-199.9 MHz	27-14.5*log(F/80)
	200-399.9 MHz	21.5 @ 200MHz
	400-1000 MHz	21.5-39*log(F/200)
	10-1000 MHz	10 @ 400MHz
	10-1000 MHz	10 @ 1000MHz
NEXT	Limits (dB min.)	TYPICAL Values (dB min.)
Frequency (MHz)	1-5.9 MHz	50
	6-49.9 MHz	45-16*log(F/10)
	50-100 MHz	34 @ 50MHz
	50-100 MHz	25-30*log(F/100)
	50-100 MHz	25 @ 100MHz
Isolation PHY to Wire side	2.25kVDC/60sec	

PHY SIDE / PCB SIDE ETHERNET MAGNETICS WIRE SIDE / RJ45



PART NUMBER	LED1 POLARITY			LED2 POLARITY		
	LEFT LED		COLOR	RIGHT LED		COLOR
	PIN15	PIN16		PIN13	PIN14	
85789-1001	-	+	GREEN	-	+	GREEN
85789-1003	-	+	GREEN	-	+	GREEN
85789-1006	+	-	ORANGE	-	+	YELLOW
85789-1007	-	+	GREEN	-	+	GREEN
85789-1012	-	+	YELLOW	-	+	GREEN
85789-1013	-	+	YELLOW	-	+	YELLOW
85789-1014	-	+	YELLOW	-	+	GREEN
85789-1020	NON LED					

ADDITIONAL LED COLORS AND CONFIGURATIONS AVAILABLE ON REQUEST



SEE TABLE FOR LED OPTIONS

ENTER DESCRIPTION EC NO: MGZ010-0124 DRWN:MMANGARUDOV 2010/05/27 CHKD:JBADER 2010/06/09 APPR:SSTE INKE 2011/02/09	QUALITY SYMBOLS 	GENERAL TOLERANCES (UNLESS SPECIFIED)		DIMENSION STYLE MM ONLY	SCALE 5:1	DESIGN UNITS METRIC	THIRD ANGLE PROJECTION	
		4 PLACES ± --- ± --- 3 PLACES ± --- ± --- 2 PLACES ± 0.05 ± --- 1 PLACE ± 0.10 ± ---	mm INCH	DRAWN BY: JBADER DATE: 2010/01/14 CHECKED BY: MMANGARUDOV DATE: 2010/01/14 APPROVED BY: SSTE INKE DATE: 2010/03/09	TITLE HYPERJACK POE PLUS ENABLED 1X1 4P			
		ANGULAR ± .5 °	DRAFT WHERE APPLICABLE MUST REMAIN WITHIN DIMENSIONS	MATERIAL NO. SEE BOM	MOLEX INCORPORATED		DOCUMENT NO. SD-85789-001	SHEET NO. 3 OF 3
				SIZE A3	THIS DRAWING CONTAINS INFORMATION THAT IS PROPRIETARY TO MOLEX INCORPORATED AND SHOULD NOT BE USED WITHOUT WRITTEN PERMISSION			