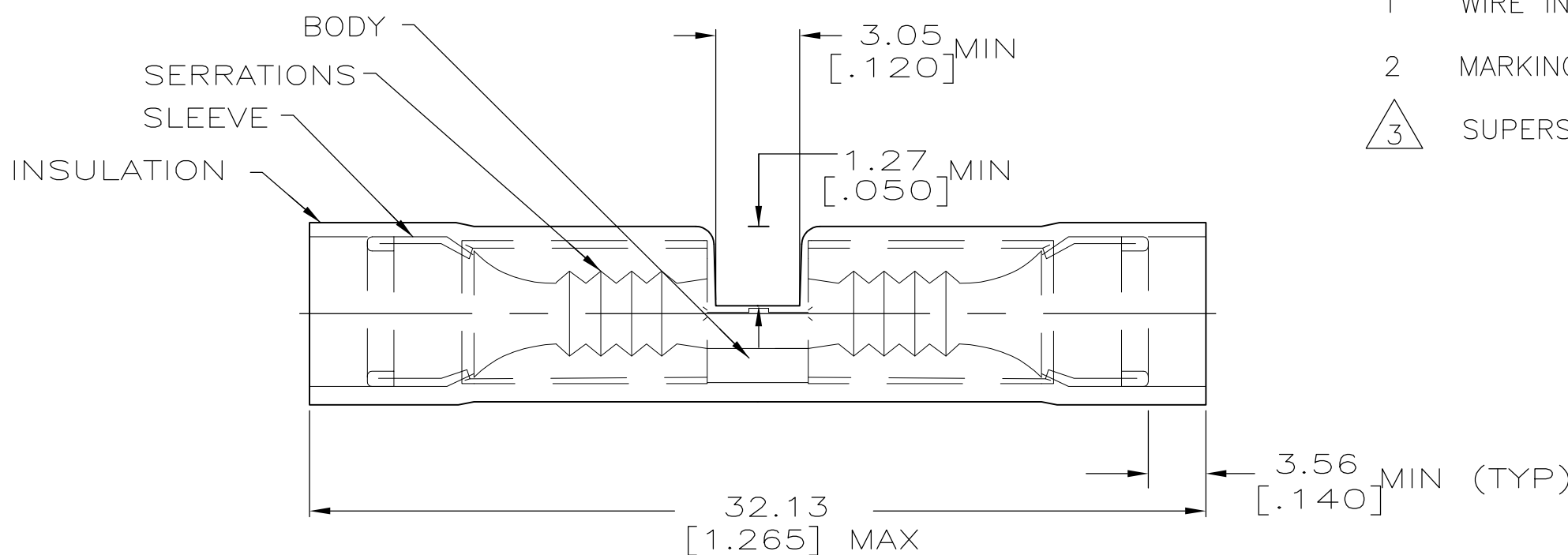


THIS DRAWING IS UNPUBLISHED. RELEASED FOR PUBLICATION
 © COPYRIGHT - By - ALL RIGHTS RESERVED.

LOC	DIST	REVISIONS			
P	LTR	DESCRIPTION	DATE	DWN	APVD
G	14	V2	REVISED PER ECO-11-004587	11MAR11	RK HMR

300 VOLT MAX		
AMP WIRE RANGE	UL Listed FILE E13288	SR LR7189 Certified
22-16 AWG SOLID OR STRANDED	22-16 AWG SOLID OR STRANDED	22-16 AWG SOLID OR STRANDED

600 VOLT MAX		
AMP WIRE RANGE	UL Listed FILE E13288	SR LR7189 Certified
22-16 AWG STRANDED	22-16 AWG STRANDED	22-16 AWG STRANDED



- 1 WIRE INSULATION DIA 2.03[.080] TO 3.18[.125]
- 2 MARKING 22-18 FOR MILITARY COMMERCIAL RANGE 22-16
- 3 SUPERSEDED BY 8-320559-2

-	4000	LOOSE PIECE, CTN	8-320559-6
-	100	LOOSE PIECE, BOX SPL	8-320559-5
-	5	LOOSE PIECE, BLS	8-320559-4 ³
-	50	LOOSE PIECE, BOX	8-320559-2
M7928/5-3 CLASS 2	2500	ON TAPE	2-320559-4
M7928/5-3 CLASS 1 & 2	50	LOOSE PIECE	320559
MILITARY PART NUMBER & CLASS PER MIL-T-7928	QTY	PACKAGE TYPE	PART NO.

AMP INCORPORATED CUSTOMER SERVICE SYSTEMS		MAX RECOMMENDED OPERATING TEMPERATURE: 105°C [221°F]
FOR ADDITIONAL PRODUCT INFORMATION OR COPIES OF DRAWINGS AND TECHNICAL DOCUMENTS	PRODUCT INFORMATION CENTER 1-800-522-6752	VOLTAGE RATING: 600V MAX (1000V MAX FIXTURE OR SIGN)
FOR APPLICATION TOOLING INFORMATION	TOOLING ASSISTANCE CENTER 1-800-722-1111	CIRCULAR MIL AREA: 0.26-1.65mm² [509-3260]
FOR ORDER ENTRY	1-800-526-5142	THIS DRAWING IS A CONTROLLED DOCUMENT FOR AMP INCORPORATED. IT IS SUBJECT TO CHANGE AND THE CONTROLLING ENGINEERING ORGANIZATION SHOULD BE CONTACTED FOR THE LATEST REVISION.

THIS DRAWING IS A CONTROLLED DOCUMENT.		DWN S.S. GOULDEN 9-28-93	TE Connectivity	
DIMENSIONS: mm [INCHES]		CHK R. HERSEY 9-28-93		
TOLERANCES UNLESS OTHERWISE SPECIFIED:		APVD M ELLIS 9-28-93	NAME SPLICE, BUTT, PIDG WIRE SIZE: 22-16	
0 PLC ± - 1 PLC ± - 2 PLC ± 0.20[.008] 3 PLC ± - 4 PLC ± - ANGLES ± -		PRODUCT SPEC -	SIZE A3	
MATERIAL COPPER PER ASTM B-152		APPLICATION SPEC -	CAGE CODE 00779	DRAWING NO C-320559
FINISH TIN PL PER ASTM B545		WEIGHT -	RESTRICTED TO -	
CUSTOMER DRAWING			SCALE 4:1	SHEET 1 OF 1
			REV V2	