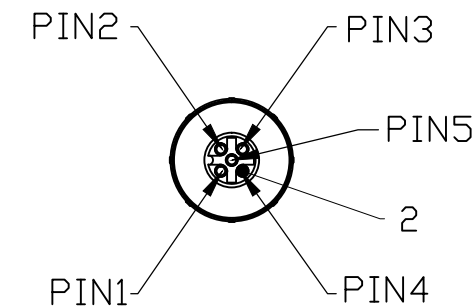
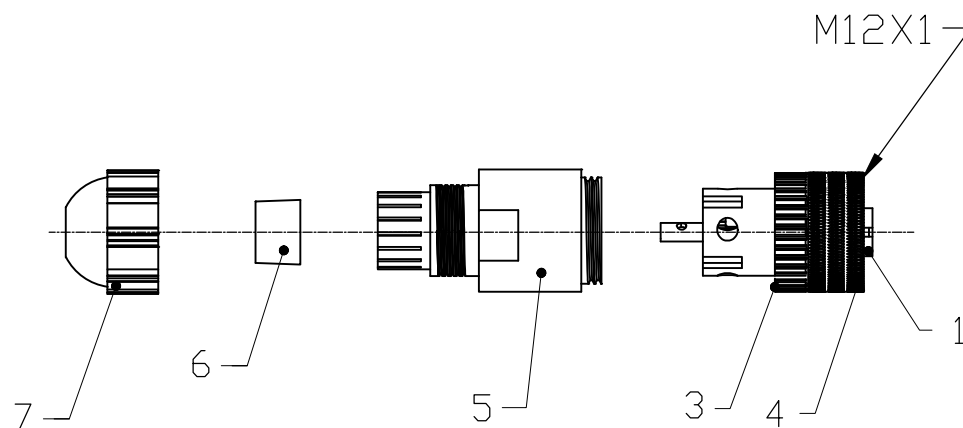
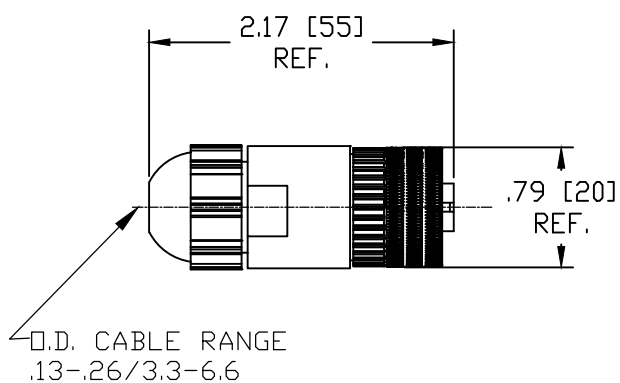
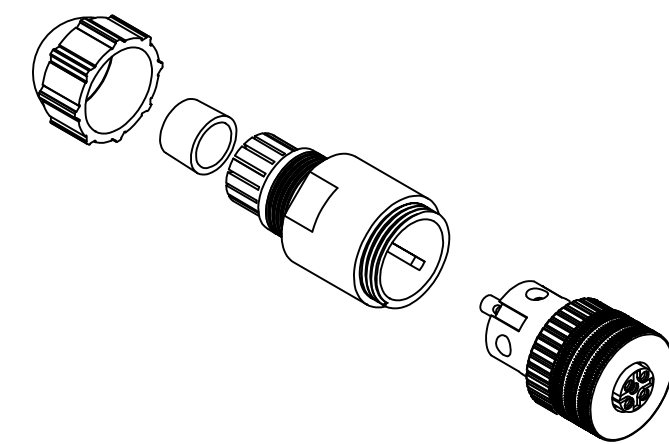


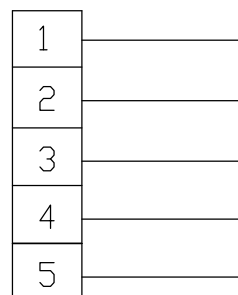
| | |
|-----------------|--------------------|
| MATERIAL NUMBER | ENGINEERING NUMBER |
| 1200710041 | 8A5000-31 |

TORQUE RECOMMENDATION:

CABLE SCREW PG7: 2.4Nm
 THREAD BETWEEN HOUSING AND INSERT: 0.8Nm
 STRAND SCREW (CONTACT): 0.4Nm



FEMALE FACE VIEW



WIRING CHART

| ITEM | | COMPONENT | MATERIAL | FINISH |
|------|---|----------------|--------------|---------------|
| 1 | 1 | INSERT | POLYAMIDE | BLACK |
| 2 | 5 | CONTACTS | COPPER ALLOY | SILVER PLATED |
| 3 | 1 | O-RING | NITRILE | BLACK |
| 4 | 1 | COUPLING NUT | BRASS | NICKEL PLATED |
| 5 | 1 | MOLDED BODY | POLYAMIDE | BLACK |
| 6 | 1 | GROMMET | NITRILE | BLACK |
| 7 | 1 | CORD GRIP BODY | POLYAMIDE | BLACK |

| | |
|-----------------------|--------------------------------|
| VOLTAGE RATING | 30VAC/36VDC |
| AMPERAGE RATING | 4 AMPS |
| PROTECTION | IP67 |
| OPERATING TEMPERATURE | -25°C TO 90°C |
| CSA CERTIFICATIONS | CSA CERTIFIED, FILE NO. LR6837 |

| DESCRIPTION EC NO: IPG2013-1257 DRWN: REISSNER CHKD: APOHL APPR: CBURGER 13.02.13 | QUALITY SYMBOLS | GENERAL TOLERANCES (UNLESS SPECIFIED) | DIMENSION STYLE | SCALE | DESIGN UNITS | THIRD ANGLE PROJECTION | | | | | | | | | | | | | | | | | | |
|--|--|---|---|-------------------------------|---------------------|------------------------|------|------|----------|------|------|----------|------|------|---------|------|------|---------|------|------|----|-----|--------|--|
| | $\nabla = 0$ $\sphericalangle = 0$ | <table border="1"> <tr> <th></th> <th>mm</th> <th>INCH</th> </tr> <tr> <td>4 PLACES</td> <td>±---</td> <td>±---</td> </tr> <tr> <td>3 PLACES</td> <td>±---</td> <td>±---</td> </tr> <tr> <td>2 PLACES</td> <td>±---</td> <td>±---</td> </tr> <tr> <td>1 PLACE</td> <td>±0.3</td> <td>±---</td> </tr> <tr> <td>0 PLACE</td> <td>±0.5</td> <td>±---</td> </tr> </table> | | mm | INCH | 4 PLACES | ±--- | ±--- | 3 PLACES | ±--- | ±--- | 2 PLACES | ±--- | ±--- | 1 PLACE | ±0.3 | ±--- | 0 PLACE | ±0.5 | ±--- | MM | --- | METRIC | |
| | | mm | INCH | | | | | | | | | | | | | | | | | | | | | |
| | 4 PLACES | ±--- | ±--- | | | | | | | | | | | | | | | | | | | | | |
| 3 PLACES | ±--- | ±--- | | | | | | | | | | | | | | | | | | | | | | |
| 2 PLACES | ±--- | ±--- | | | | | | | | | | | | | | | | | | | | | | |
| 1 PLACE | ±0.3 | ±--- | | | | | | | | | | | | | | | | | | | | | | |
| 0 PLACE | ±0.5 | ±--- | | | | | | | | | | | | | | | | | | | | | | |
| DRAFT WHERE APPLICABLE MUST REMAIN WITHIN DIMENSIONS | DRAWN BY DATE TWOLDEGE 2009/08/07 CHECKED BY DATE APOHL 2013/02/15 APPROVED BY DATE --- | FA M12 5P AC FE STR UNSH BK BRA --- | MATERIAL NO. 1200710041 | DOCUMENT NO. SD-120071-005 | SHEET NO. 1 OF 1 | | | | | | | | | | | | | | | | | | | |
| A1 | REV | SIZE A3 | THIS DRAWING CONTAINS INFORMATION THAT IS PROPRIETARY TO MOLEX INCORPORATED AND SHOULD NOT BE USED WITHOUT WRITTEN PERMISSION | | | | | | | | | | | | | | | | | | | | | |

