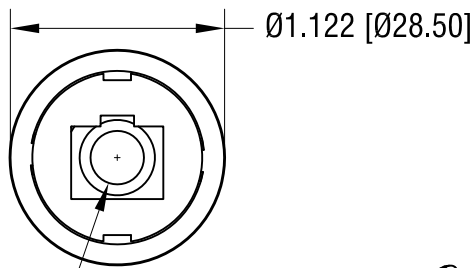
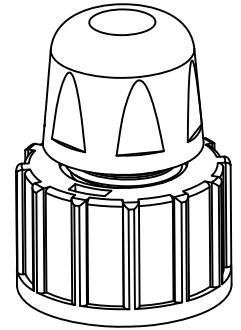
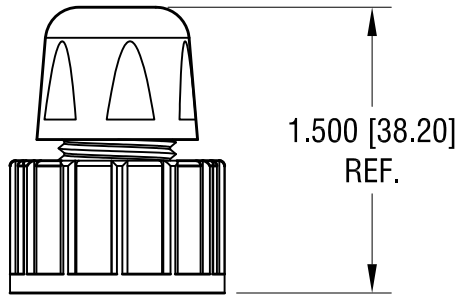
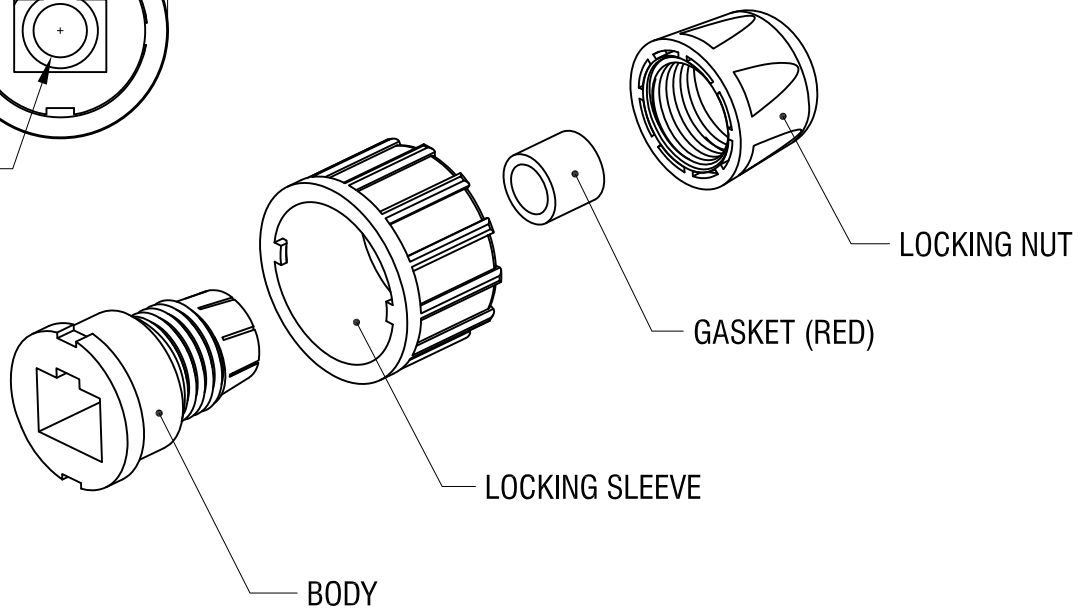


THIS DOCUMENT IS THE PROPERTY OF  
KEYSTONE ELECTRONICS CORP. AND  
SHALL NOT BE REPRODUCED, DISTRIBUTED  
OR USED AS A BASIS FOR MANUFACTURE  
WITHOUT PRIOR WRITTEN PERMISSION  
FROM KEYSTONE ELECTRONICS CORP.

ACTUAL SIZE



Ø.276 [Ø7.00]



**NOTE:**

1. SUPPLIED UNASSEMBLED

7.21.16	REVISED WATER TIGHT SEAL CHANGE AS PER ECN 16-074	A
DATE	DESCRIPTION	REV.

<b>KEYSTONE ELECTRONICS CORP.</b>			
www.keyelco.com • ASTORIA, N.Y. 11105-2017 • Tel (718) 956-8900			
PART NAME			
WATER PROOF KEYSTONE PLUG			
MATERIAL			
THERMOPLASTIC, UL 94V-0 (BLACK COLOR)			
FINISH		DRN BY	DATE
		NT	4.01.16
		APP'D	SCALE
		LN	1X
TOLERANCES	INCH [MM]	CODE	DWG NO.
DECIMAL	± .005 [± 0.13]	C	<b>962P</b>
ANGULAR	± 1°		
UNLESS OTHERWISE SPECIFIED			