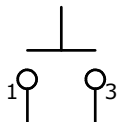


PANEL MOUNTING

SWITCH FUNCTION	
POS. 1	POS. 2
OFF	(ON)
OPEN	1-3

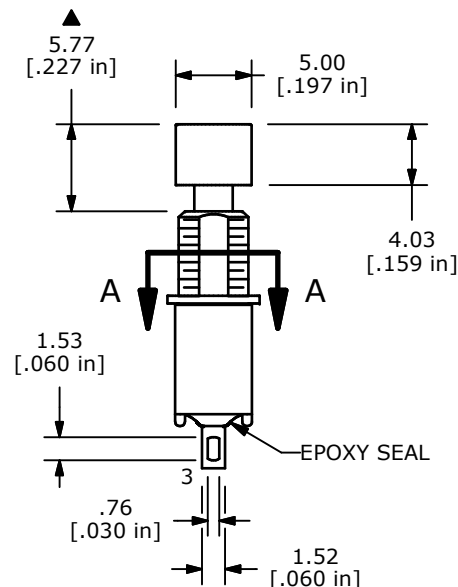
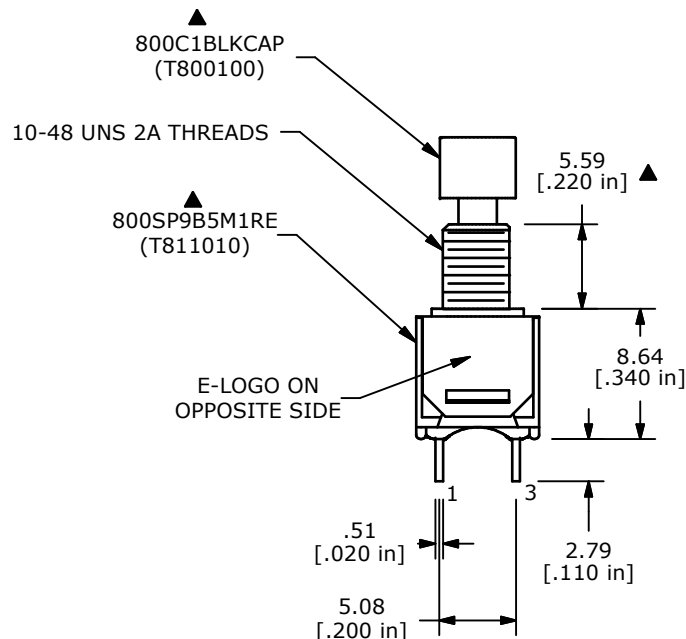
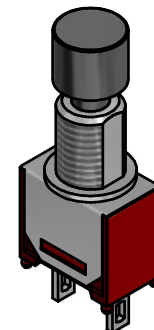
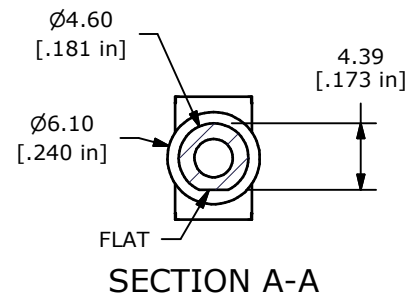
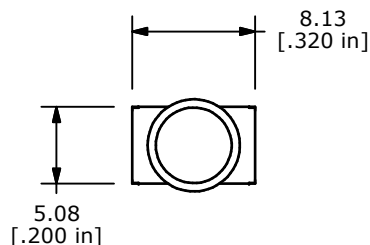
(ON)=MOMENTARY



CIRCUIT: SPST

NOTE:

1. ALL DIMENSIONS IN MM [INCH]
2. GENERAL TOLERANCE: X.X=±0.4
X.XX=±0.25
3. TERMINAL NUMBERS FOR REF ONLY
- ▲4. PLATING MATERIAL: GOLD
5. RATING: 0.4VA MAX. @ 20V MAX. (AC or DC)
6. ELECTRIC LIFE: 50,000 MAKE-AND-BREAK CYCLES AT FULL LOAD.
7. INSULATION RESISTANCE: 1,000 MΩ MIN.
8. DIELECTRIC STRENGTH: 1,000 V RMS @SEA LEVEL.
9. OPERATING TEMP.: -30°C to 85°C
10. ▲ DENOTES CRITICAL PARAMETER.
11. CONTACT RESISTANCE: 20mΩ MAX INITIAL
12. 2002/95/EC (ROHS) COMPLIANT
- ▲13. HARDWARE TO SHIP BULK:
T200000 LOCK WASHER, QTY 1
T200002 LOCK RING, QTY 1
T200001 HEX NUT, QTY 2



TITLE 800SP9B5M1REHC1BLK

A	21199	NEW PART RELEASE	8/12/13	EBP
REV	PCR NO	DESCRIPTION	DATE	BY

SCALE	DATE	DR	DWG	REV
	8/12/2013	EBP	XT0163P	A

THE INFORMATION CONTAINED IN THIS DOCUMENT IS PROPRIETARY TO E-SWITCH AND IS NOT TO BE COPIED OR TRANSFERRED