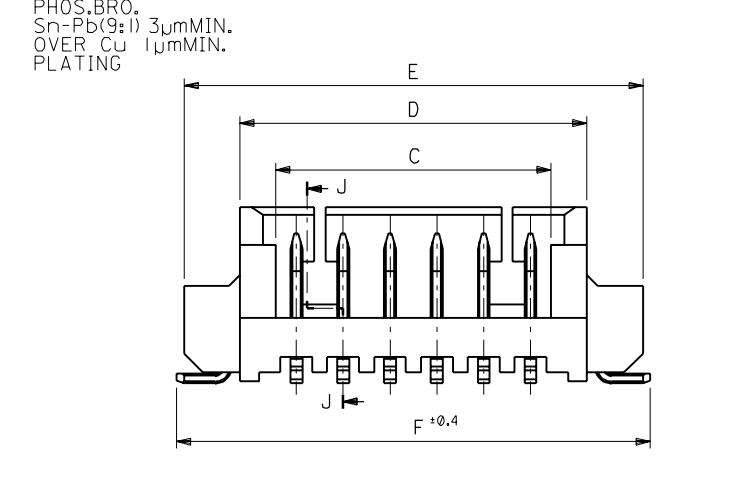
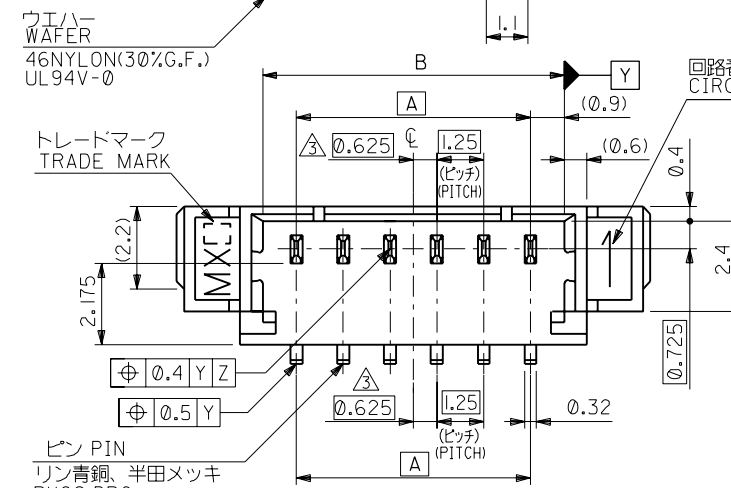
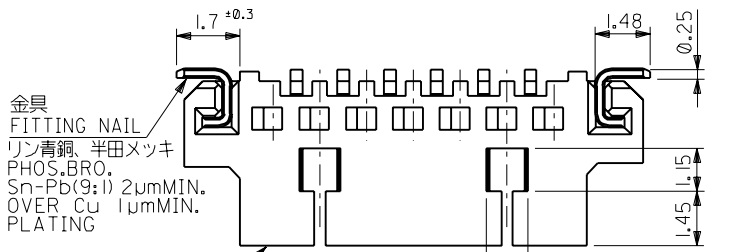


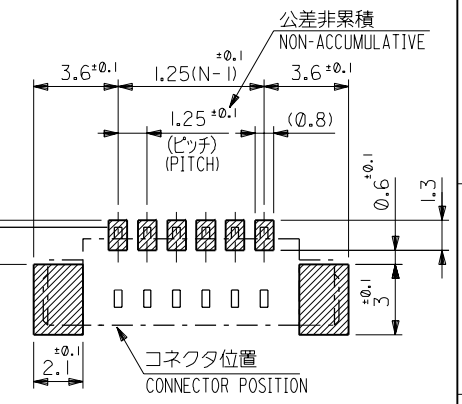
DWG. NO. SD-53398-\*\*-10

DIMENSIONS IN METRIC DO NOT SCALE DRAWING

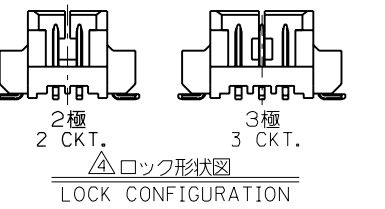
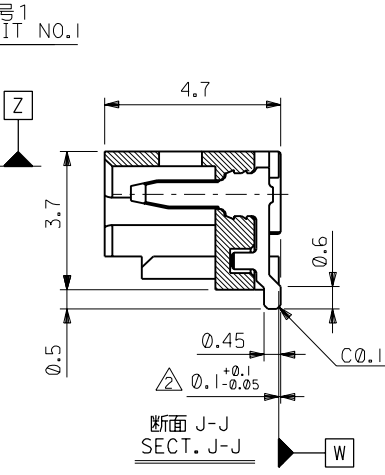


注記 NOTES

1. 嵌合相手: 51021 シリーズ MATE WITH : 51021 SERIES
- △ 水平面上においての、ウエハー底面 [W] とソルダーテール及びフィッティングネイル底面とのズレ量を示す。  
MISALIGNMENT OF SOLDER TAIL & FITTING NAIL FROM [W]
- △ 偶数極のみ適用。APPLY EVEN CIRCUIT PRODUCTS.
- △ ロック窓は、2、3極は1ヶ所、4極以上は2ヶ所とする。  
LOCKING WINDOW : ONE PLACE FOR 2&3 CKTS.  
TWO PLACES FOR MORE THAN 4 CKTS.



参考基板レイアウト  
RECOMMENDED P.C.BOARD PATTERN DIM.(REF.)



23.9	23.5	20.5	18.6	19.3	17.5	53398-1510	15
22.65	22.25	19.25	17.35	18.05	16.25	-1410	14
21.4	21	18	16.1	16.8	15	-1310	13
20.15	19.75	16.75	14.85	15.55	13.75	-1210	12
18.9	18.5	15.5	13.6	14.3	12.5	-1110	11
17.65	17.25	14.25	12.35	13.05	11.25	-1010	10
16.4	16	13	11.1	11.8	10	-0910	9
15.15	14.75	11.75	9.85	10.55	8.75	-0810	8
13.9	13.5	10.5	8.6	9.3	7.5	-0710	7
12.65	12.25	9.25	7.35	8.05	6.25	-0610	6
11.4	11	8	6.1	6.8	5	-0510	5
10.15	9.75	6.75	4.85	5.55	3.75	-0410	4
8.9	8.5	5.5	3.6	4.3	2.5	-0310	3
7.65	7.25	4.25	2.35	3.05	1.25	53398-0210	2
F	E	D	C	B	A	ENG. NO.	極数 NO. OF CKTS.

変更 REVISD	WC2000-0636	K.K.	M.F.	00/3/30
変更 REVISD	WC800048	H.J.	M.F.	97/7/5
変更 REVISD	U31030	H.H.	M.F.	93/10/13
変更 REVISD	U30753	K.T.	H.H.	93/7/29
変更 REVISD	U30610	K.T.	H.H.	93/6/18
変更 REVISD	U30230	K.T.	H.H.	93/3/10
新規作成 RELEASED	U20942	K.T.	H.H.	92/10/12
角 度 ANGLE	±3°			
30 以上 OVER	±0.3			
10 以上 30 未満 OVER	±0.25			
10 未満 UNDER	±0.2			

材料 MATERIAL 図中参照 SEE DRAWING

仕上 げ FINISH —

適用 電線 範囲 WIRE RANGE —

被覆 外 径 INS. RANGE —

DRAWN BY '92/10/12 K.TOJO  
CHK'D BY '00/3/30 T.YAMAGUCHI

APP'D BY '00/3/30 M.FUKUSHIMA

尺 度 SCALE —

REVISE ONLY ON CAD SYSTEM

TITLE 名称

1.25 WIRE TO BOARD CONN.  
WAFER ASS'Y FOR SMT (ST.)

DWG. NO. SD-53398-\*\*-10

REV F

10 9 8 7 6 5 4 3 2 1

F

F

E

E

D

D

C

C

B

B

A

A

23.9	23.5	20.5	18.6	19.3	17.5	53398-1571	15
22.65	22.25	19.25	17.35	18.05	16.25	53398-1471	14
21.4	21	18	16.1	16.8	15	53398-1371	13
20.15	19.75	16.75	14.85	15.55	13.75	53398-1271	12
18.9	18.5	15.5	13.6	14.3	12.5	53398-1171	11
17.65	17.25	14.25	12.35	13.05	11.25	53398-1071	10
16.4	16	13	11.1	11.8	10	53398-0971	9
15.15	14.75	11.75	9.85	10.55	8.75	53398-0871	8
13.9	13.5	10.5	8.6	9.3	7.5	53398-0771	7
12.65	12.25	9.25	7.35	8.05	6.25	53398-0671	6
11.4	11	8	6.1	6.8	5	53398-0571	5
10.15	9.75	6.75	4.85	5.55	3.75	53398-0471	4
8.9	8.5	5.5	3.6	4.3	2.5	53398-0371	3
7.65	7.25	4.25	2.35	3.05	1.25	53398-0271	2
F	E	D	C	B	A	EMBOSSED TAPE PKG. (HIGH BARRIER PKG.) ORDER No.	種数 No. of &T's.

CONNECTOR SERIES NO. 53398-\*\*\*19

REVISED EC NO: J2010-0213 DRWN:TKON 2009/09/25 CHKD:NUKITA 2009/09/25 APPR:NUKITA 2009/09/28	GENERAL TOLERANCES (UNLESS SPECIFIED)		DIMENSION STYLE <b>MM ONLY</b>	SCALE ---	DESIGN UNITS <b>METRIC</b>	THIRD ANGLE PROJECTION	
	10 UNDER	±0.2	DRAWN BY MNINOMIYA	DATE 04/02/06	TITLE 1.25 W/B CONN. ASS'Y FOR SMT(ST.) -LEAD FREE-		
	10 OVER 30 UNDER	±0.25	CHECKED BY KTOJO	DATE 04/02/06	APPROVED BY MSASAO 04/02/06		
	30 OVER	±0.3	MATERIAL NO. <b>SEE TABLE</b>		DOCUMENT NO. <b>SD-53398-032</b>		SHEET NO. 2 OF 2
	ANGULAR ±3 °		DRAFT WHERE APPLICABLE MUST REMAIN WITHIN DIMENSIONS THIS DRAWING CONTAINS INFORMATION THAT IS PROPRIETARY TO MOLEX INCORPORATED AND SHOULD NOT BE USED WITHOUT WRITTEN PERMISSION				

10 9 8 7 6 5 4 3 2 1

F

E

D

C

B

A

F

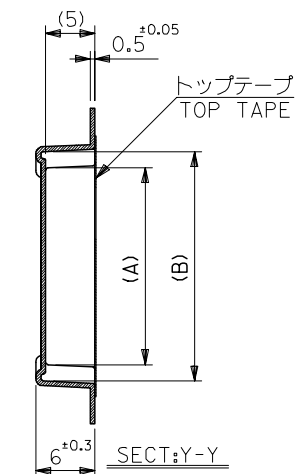
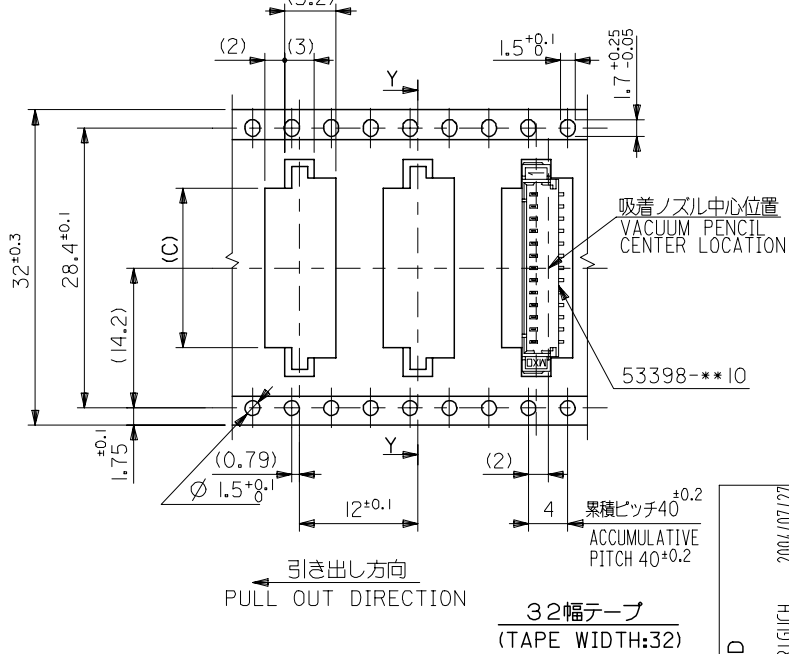
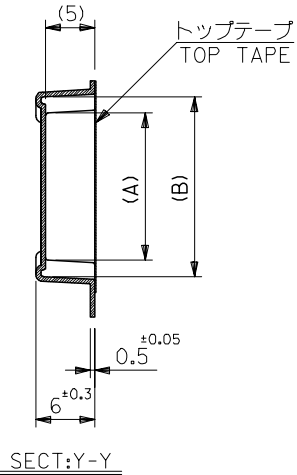
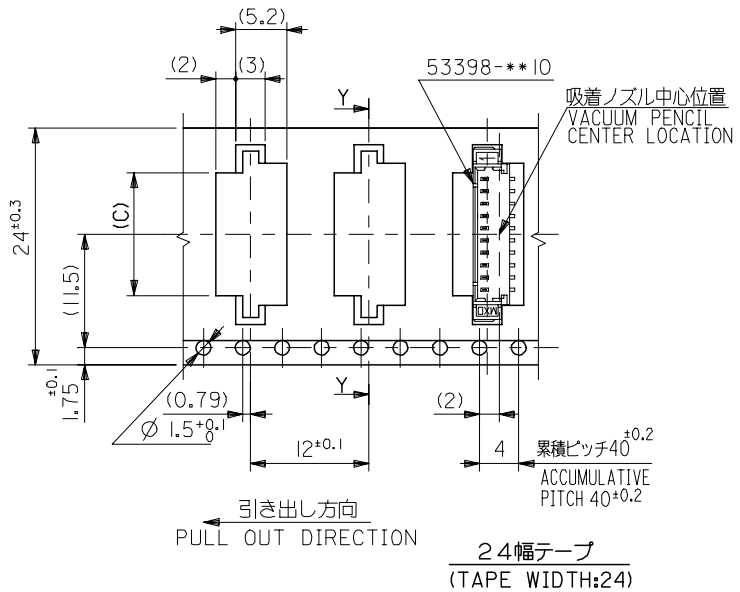
E

D

C

B

A



32	33.4	16.2	22	18.3	53398-1390	13
		14.95	20.75	17.05	-1290	12
		13.7	19.5	15.8	-1190	11
24	25.4	12.45	18.25	14.55	-1090	10
		11.2	17	13.3	-0990	9
		9.95	15.75	12.05	-0890	8
		8.7	14.5	10.8	-0790	7
		7.45	13.25	9.55	-0690	6
		6.2	12	8.3	-0590	5
		4.95	10.75	7.05	53398-0490	4
キャリアテープ幅 CARRIER TAPE WIDTH	D	(C)	(B)	(A)	ENG. NO.	種数 CKT.

REVISED EC NO: DRAWN BY CHKD BY APP'R BY	2004/07/27 DRW:MERIGUCHI	2004/07/28 CHKD:K.ASAKAWA	2004/07/30 APP'R:S.ICHIKAWA	GENERAL TOLERANCES (UNLESS SPECIFIED)		DIMENSION STYLE MM ONLY	SCALE ---	DESIGN UNITS METRIC	THIRD ANGLE PROJECTION
	10 UNDER			±0.2	DRAWN BY K. TOJO	DATE '93/04/13	TITLE 1.25 W/B CONN. WAFER ASS'Y FOR SMT.		
	10 OVER 30 UNDER			±0.25	CHECKED BY YAMAGUCHI	DATE '00/12/08	EMBOSSED TAPE PACKAGE		
	30 OVER			±0.3	APPROVED BY FUKUSHIM	DATE '00/12/08	MOLEX INCORPORATED		
	ANGULAR			±3 °	MATERIAL NO. SEE CHART	DOCUMENT NO. SD-53398-**90	SHEET NO. 2 OF 3		
DRAFT WHERE APPLICABLE MUST REMAIN WITHIN DIMENSIONS				THIS DRAWING CONTAINS INFORMATION THAT IS PROPRIETARY TO MOLEX INCORPORATED AND SHOULD NOT BE USED WITHOUT WRITTEN PERMISSION					

10 9 8 7 6 5 4 3 2 1

F

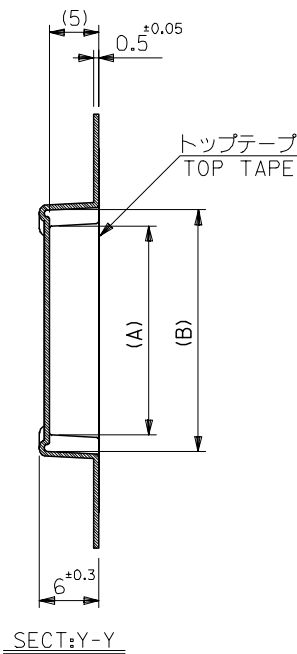
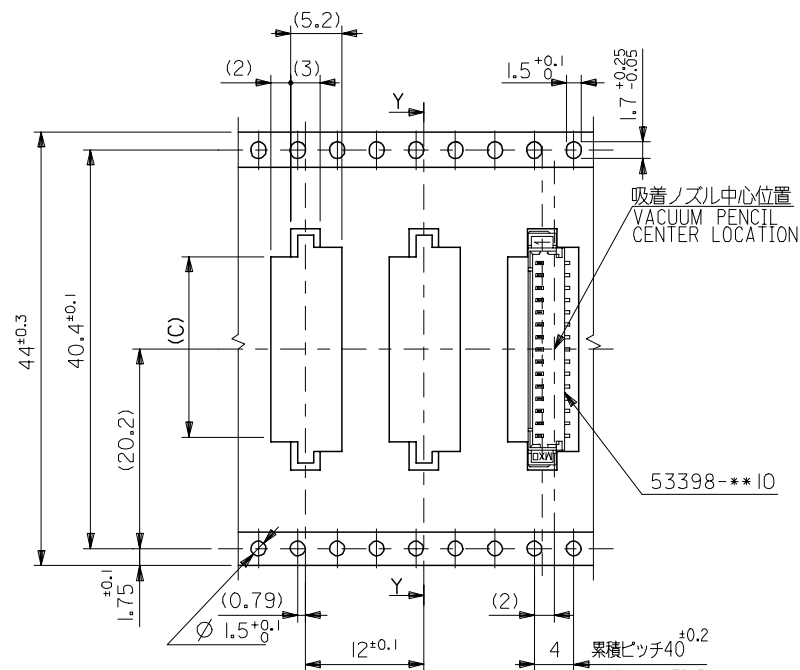
E

D

C

B

A



引き出し方向  
PULL OUT DIRECTION

44幅テープ  
(TAPE WIDTH:44)

44	45.4	18.7	24.5	20.8	53398-I590	I5
キャリアテープ幅 CARRIER TAPE WIDTH	D	(C)	(B)	(A)	ENG. NO.	種数 CKT.
		17.45	23.25	19.55	53398-I490	I4

REVISED EC NO: DRAWN:MERIGUCHI 2004/07/27 CHK:K.ASAKAWA 2004/07/28 APPR:S.ICHIKAWA 2004/07/30	GENERAL TOLERANCES (UNLESS SPECIFIED)		DIMENSION STYLE MM ONLY		SCALE ---	DESIGN UNITS METRIC	THIRD ANGLE PROJECTION
	10 UNDER	±0.2	DRAWN BY K. TOJO		DATE '93/04/13	TITLE 1.25 W/B CONN. WAFER ASS'Y FOR SMT. EMBOSSED TAPE PACKAGE	
	10 OVER 30 UNDER	±0.25	CHECKED BY YAMAGUCHI		DATE '00/12/08	MOLEX INCORPORATED	
	30 OVER	±0.3	APPROVED BY FUKUSHIM		DATE '00/12/08	SHEET NO. 3 OF 3	
	ANGULAR	±3 °	MATERIAL NO. SEE CHART		DOCUMENT NO. SD-53398-**90		
DRAFT WHERE APPLICABLE MUST REMAIN WITHIN DIMENSIONS		SIZE A3		THIS DRAWING CONTAINS INFORMATION THAT IS PROPRIETARY TO MOLEX INCORPORATED AND SHOULD NOT BE USED WITHOUT WRITTEN PERMISSION			