

10 9 8 7 6 5 4 3 2 1

F

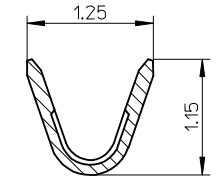
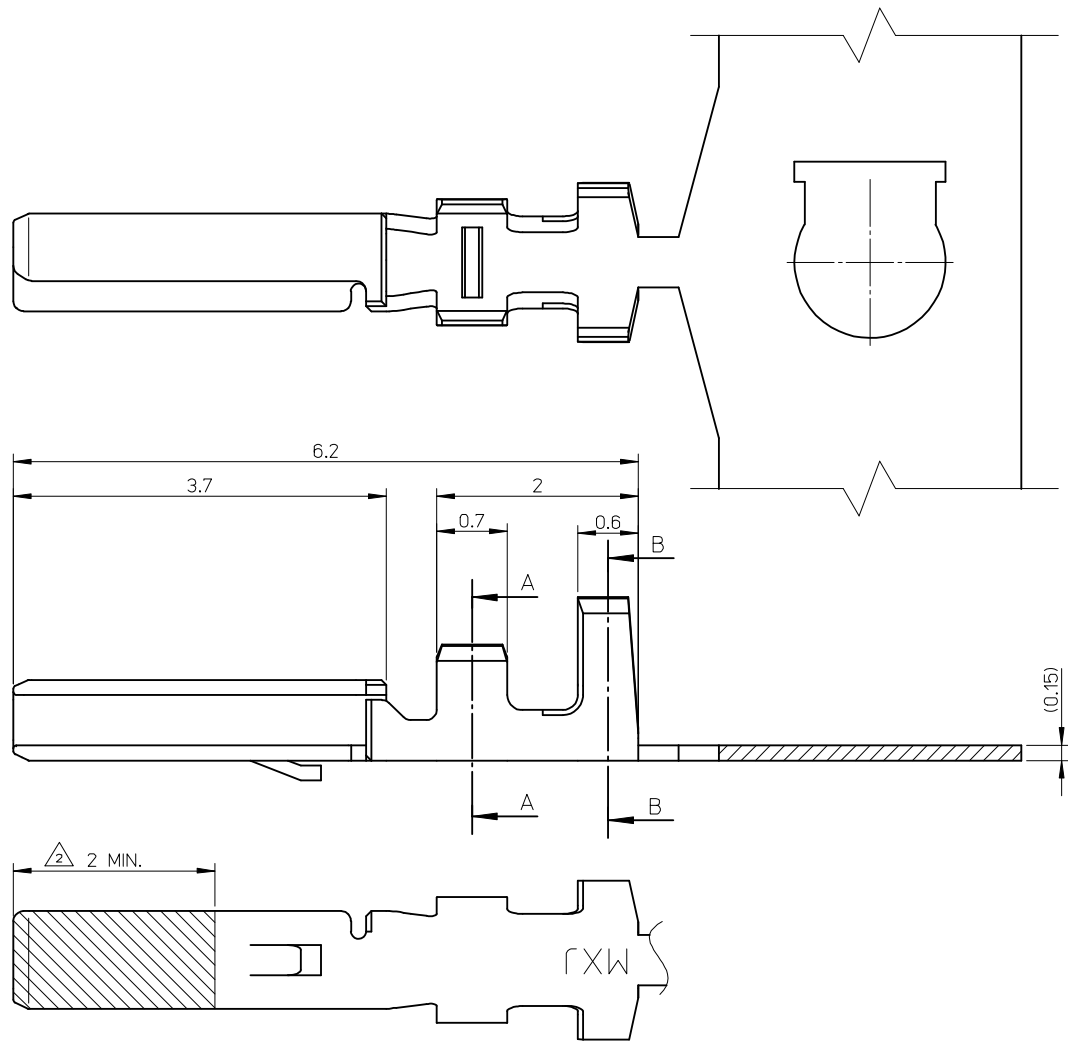
E

D

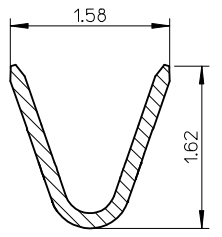
C

B

A



SECTION A-A



SECTION B-B

NOTES

- 適合ハウジング : 501929-\*\*\*\*, 503110-\*\*\*\*.  
APPLICABLE HOUSING : 501929-\*\*\*\*, 503110-\*\*\*\*.
- 図示の斜線部の範囲は、接点部のため、傷、打痕、汚れなどを付けないようにして下さい。  
PLEASE DON'T DAMAGE, DON'T DENT, AND DON'T MAKE IT DIRTY.  
BECAUSE THE RANGE IN THE SHADED PORTION SHOWN IN FIGURE IS THE CONTACT AREA.
- ELV 及び RoHS 適合品  
ELV AND RoHS COMPLIANT

φ0.8-1.0mm	AWG#26-28	501930-1100	連鎖状 CHAIN
絶縁被覆外径範囲 INS. RANGE	適用電線範囲 WIRE RANGE	製品番号 MATERIAL NO.	端子形状 FORM

部品 PART	材質 MATERIAL
ターミナル TERMINAL	銅合金 COPPER ALLOY
	金めっき (接点部) : 0.1 micro-meter MIN. GOLD (CONTACT AREA)
	錫めっき (圧着部) : 0.5 micro-meter MIN. TIN (TAIL AREA)
	ニッケルめっき (下地) : 1.0 micro-meter MIN. NICKEL (UNDER PLATING)

REVISED	EC NO. J2009-0621	2008/09/09	DRW:KSETO	2008/09/09	CHK:D.SMARUYAMA	2008/09/09	APPR:S.ICHIKAWA	2008/09/09	GENERAL TOLERANCES (UNLESS SPECIFIED)	
									10 UNDER	±0.2
									10 OVER 30 UNDER	±0.25
									30 OVER	±0.3
									ANGULAR	±3 °
									DRAFT WHERE APPLICABLE MUST REMAIN WITHIN DIMENSIONS	

DIMENSION STYLE		SCALE		DESIGN UNITS		THIRD ANGLE PROJECTION	
MM ONLY		20:1		METRIC		THIRD ANGLE PROJECTION	
DRAWN BY	DATE	TITLE					
T. MIYAZAKI	2006/03/13	1.25 W/B CONN. DUAL PLUG TERMINAL					
CHECKED BY	DATE						
K. ASAKAWA	2006/03/13						
APPROVED BY	DATE						
S. ICHIKAWA	2006/03/13						
MATERIAL NO.	DOCUMENT NO.						
SEE TABLE	SD-501930-001						
SIZE	THIS DRAWING CONTAINS INFORMATION THAT IS PROPRIETARY TO MOLEX INCORPORATED AND SHOULD NOT BE USED WITHOUT WRITTEN PERMISSION						
A3							