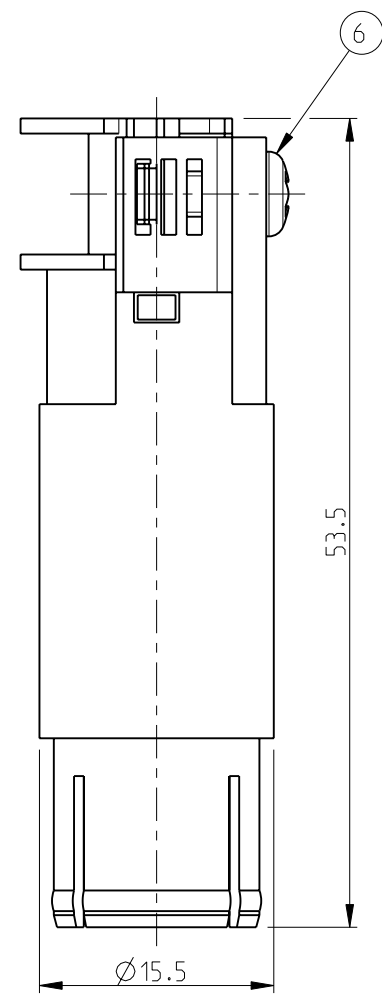
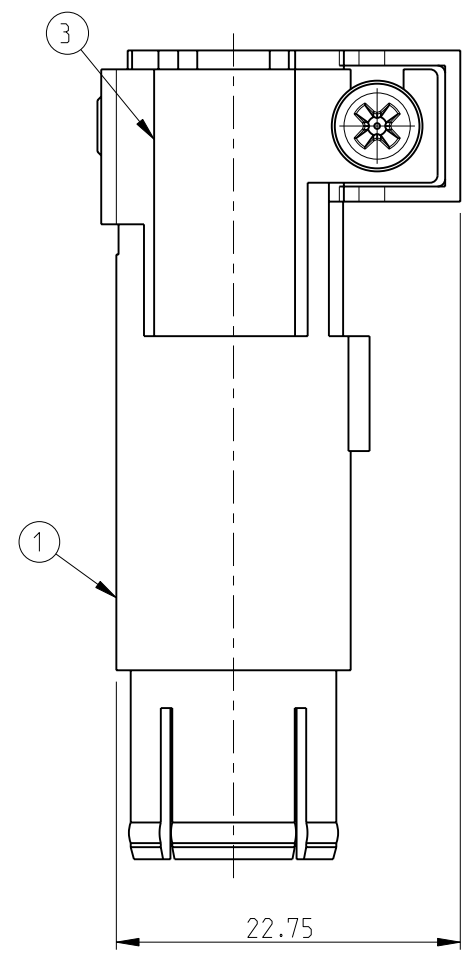
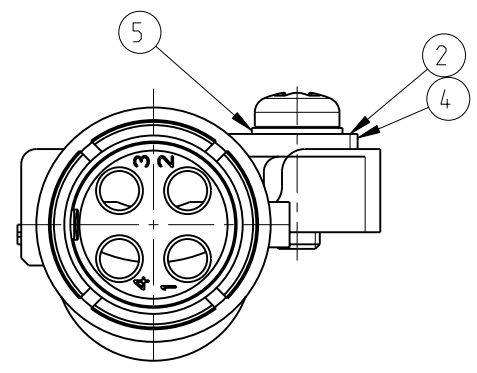


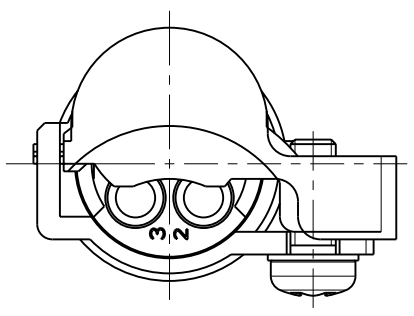
THIS DRAWING IS UNPUBLISHED. RELEASED FOR PUBLICATION 2000  
 © COPYRIGHT 2000 BY TYCO ELECTRONICS CORPORATION. ALL RIGHTS RESERVED.

LOC	DIST	REVISIONS			
P	LTR	DESCRIPTION	DATE	DWN	APVD
A1					
	A2	RELEASED ASPER ECR-09-012227	29-May-09	GG	TS

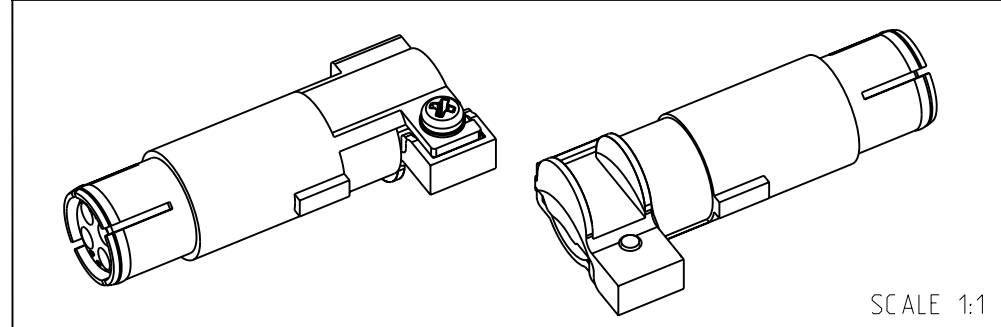
CONTACT ARRANGEMENT:  
VIEW FROM CONNECTING SIDE



CONTACT ARRANGEMENT:  
VIEW FROM TERMINATION SIDE



- NOTES
- SUITABLE CRIMP CONTACTS: SERIES HN.D  
CUSTOMER DRAWING : 1105051  
OUTER DIMENSIONS OF INSULATION:MAX.Ø4mm
  - SUITABLE MODULE FIXING FRAME: SERIES HVS SIZE 3 TO 8  
CUSTOMER DRAWING: 1103250
  - SUITABLE INSERTION TOOL:  
CUSTOMER DRAWING: 1102855
  - SUITABLE EXTRACTION TOOL:  
CUSTOMER DRAWING: 1102855
  - STANDARDS:  
DIN EN 61984; DIN EN 60664-1
  - POLARIZATION RIBS
  - MARKING OF POLARIZATION ACCORDING TO MARKING OF MODULE FRAME
  - PACKAGING:  
10 SETS IN A CARTON,PRE-MOUNTED



PN 0-1 AS SHOWN

PN 0-1	DESCRIPTION	MATERIAL	SURFACE	COLOR	NOTE	ITEM NO
1	SCREW PAN HEAD	STEEL			ISO 7045 A2	6
1	SPRING WASHER,A3	STEEL	ZINC PLATED		DIN 137	5
1	CLOSING 3-6mm	ZINC				4
1	CONTACT INSERT FEMALE	PA66-GF25		BLACK		3
1	CLOSING 6-9mm	ZINC				2
1	SHIELD BARREL FEMALE	ZINC	ZINC PLATED			1

THIS DRAWING IS A CONTROLLED DOCUMENT FOR TYCO ELECTRONICS CORPORATION  
IT IS SUBJECT TO CHANGE AND THE CONTROLLING ENGINEERING ORGANIZATION  
SHOULD BE CONTACTED FOR THE LATEST REVISION.

DIMENSIONS: mm	TOLERANCES UNLESS OTHERWISE SPECIFIED: ISO 8075 DIN ISO 2768 mH-E DIN 16901-120
	0 PLC ± 1 PLC ± 2 PLC ± 3 PLC ± 4 PLC ± ANGLES ±
MATERIAL	FINISH

DWN SCHNEIDER 21.02.2006	Tyco Electronics 53757 Sankt Augustin, Germany
CHK A.GAST 21.02.2006	
APVD T.SCHNURPFEL 21.02.2006	
PRODUCT SPEC 108-74086	NAME SHIELD BARREL FEMALE HVS-TX.HND.4.BU
APPLICATION SPEC 114-74088	SIZE A3
WEIGHT	CAGE CODE 00779
CUSTOMER DRAWING	DRAWING NO 1103286
	RESTRICTED TO
	SCALE 5:1
	SHEET 1 OF 1
	REV A2