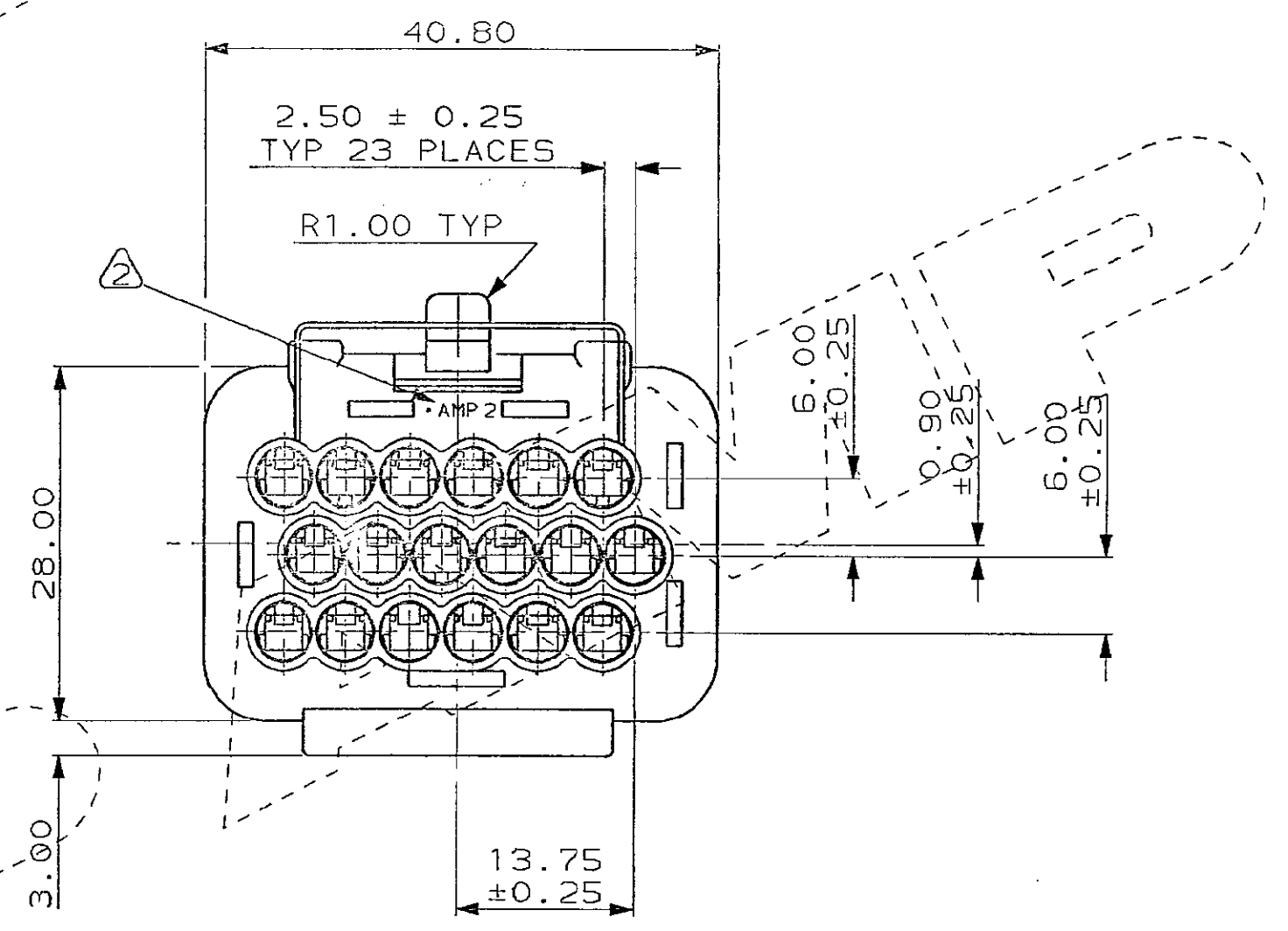
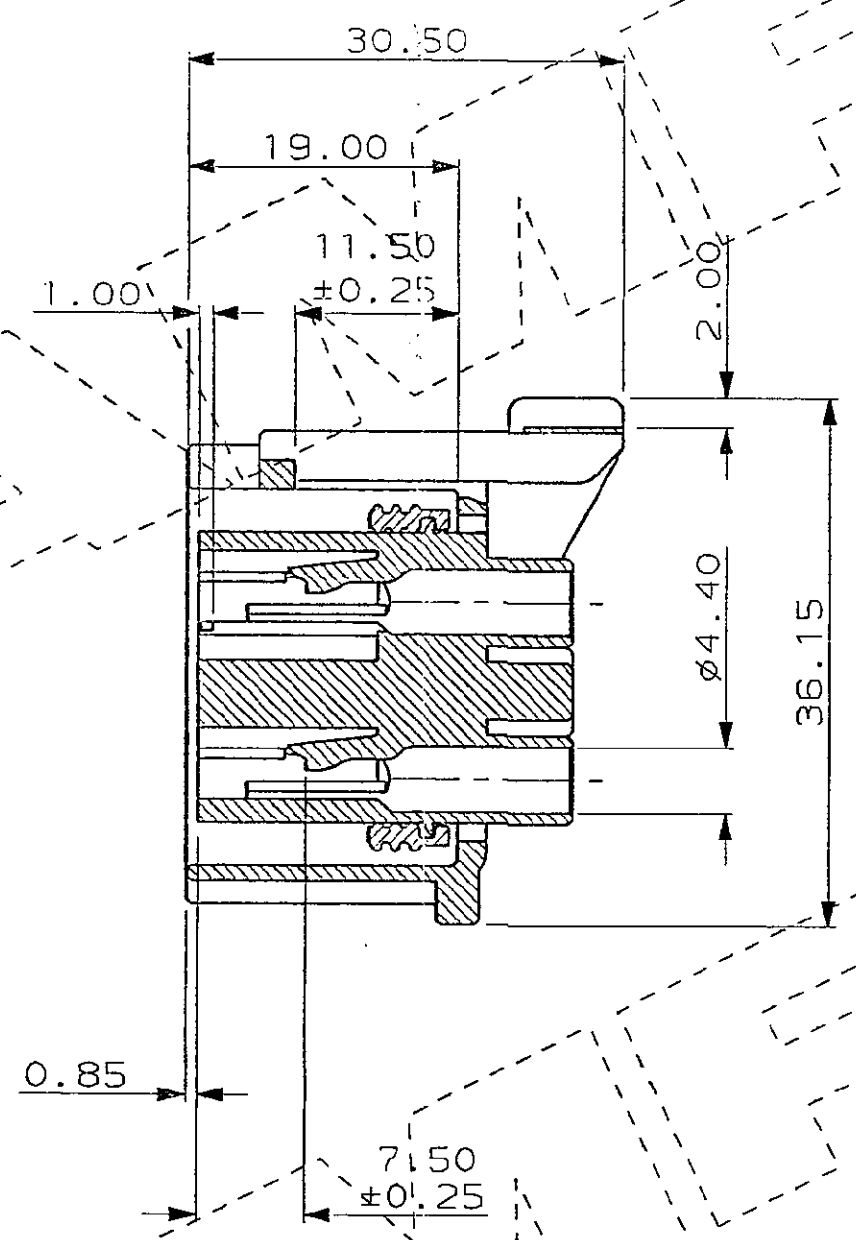
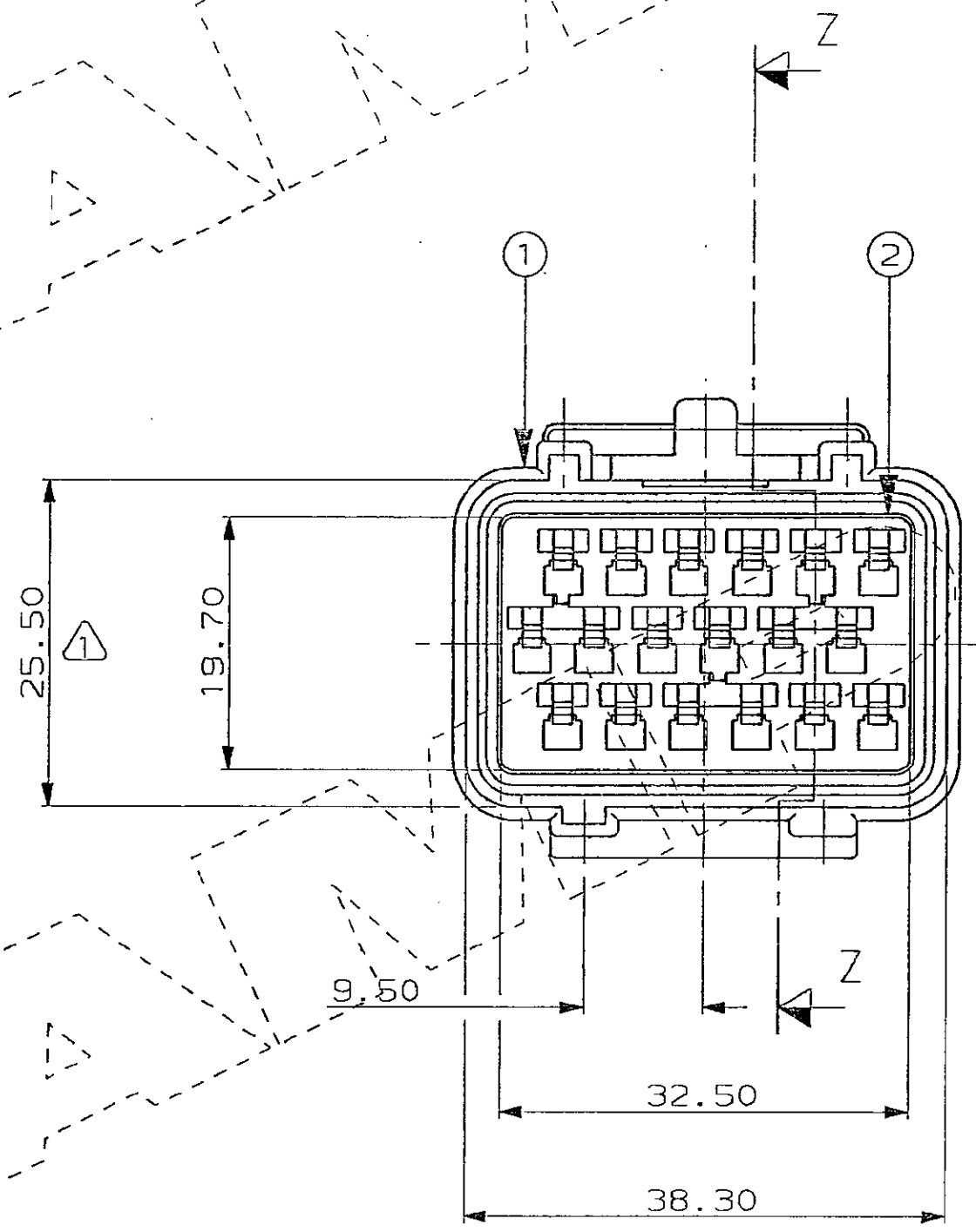
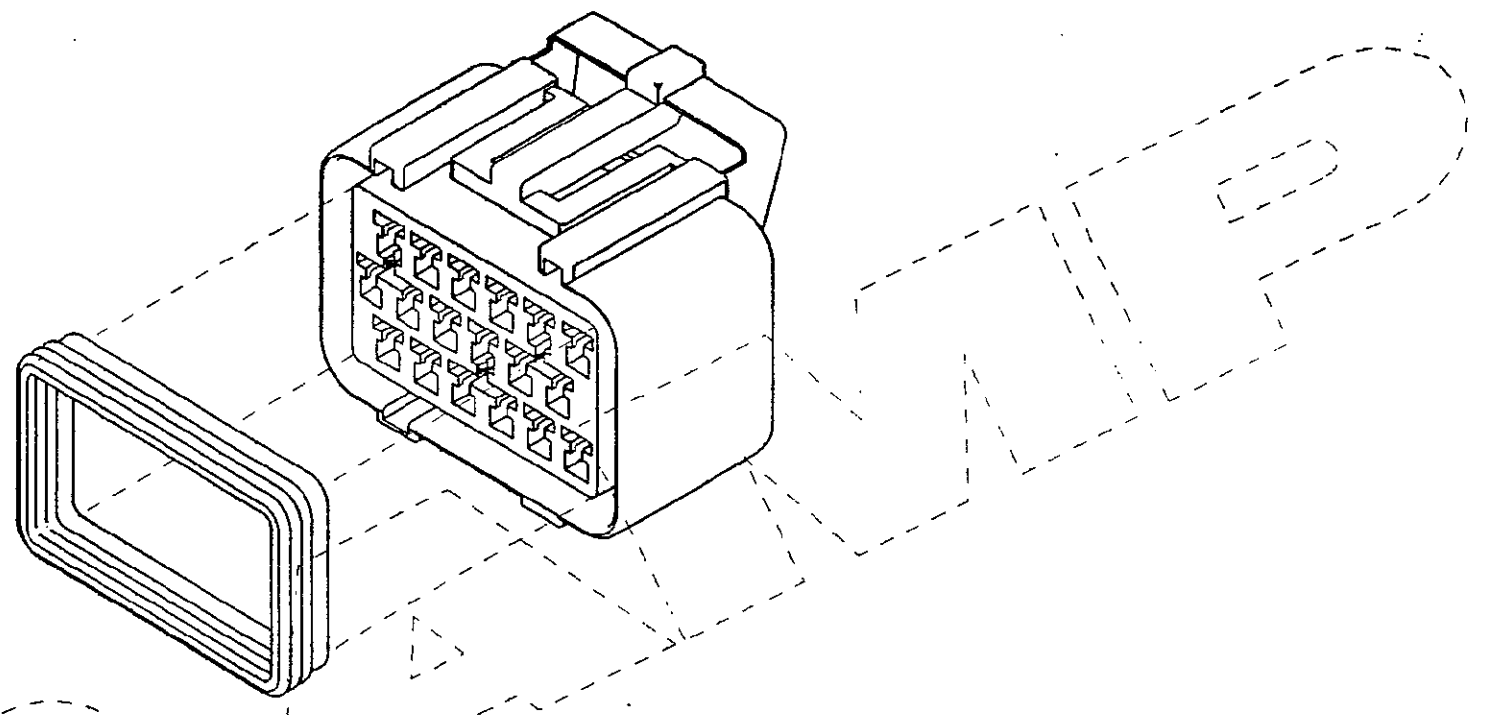
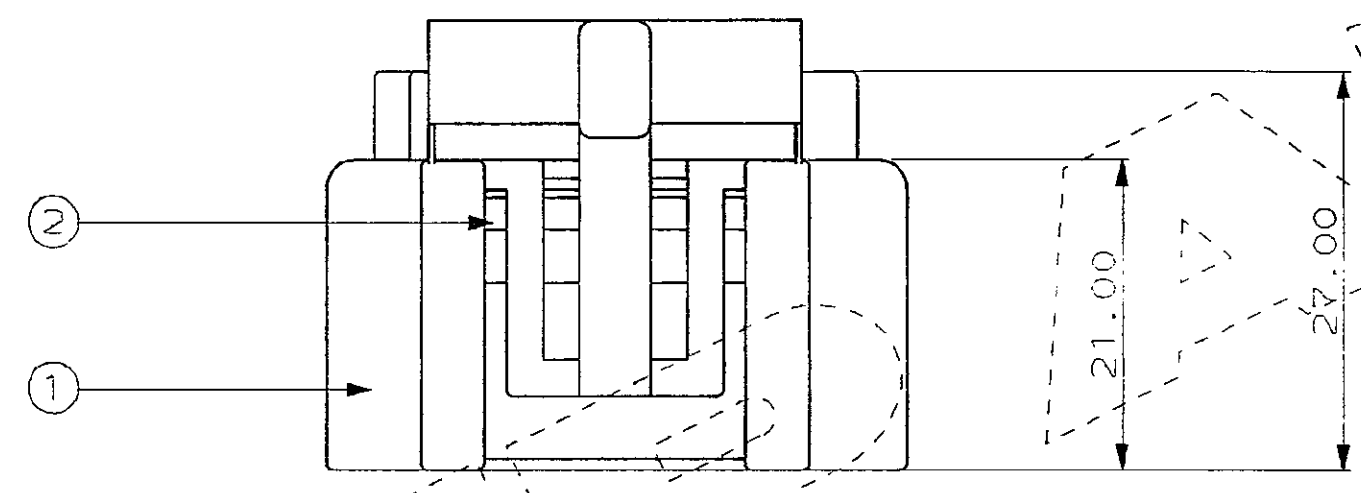
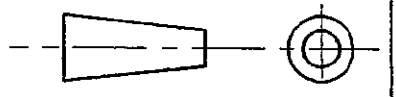


E.A.D. FILE CODE
C344106

DO NOT SCALE DIMENSIONS IN MM.



- NOTES:**
1. THIS DIMENSION IS TO APPLY AT THE CORNERS OF THE SHROUD AND IS A CONTROL DIMENSION
 2. AMP STAMP, DOT CODE & IMPRESSION NUMBER.

2	SILICONE	PERIPHERAL SEAL	1	344106-1
1	NYLON 66	18 WAY REC. HSG.	1	
ITEM No.	MATERIAL	DESCRIPTION	QTY. PER ASSY.	ASSEMBLY PART No.

CUSTOMER DWG FOR REFERENCE ONLY				RELEASED FOR PUBLICATION 22-6-87	
TOLERANCES UNLESS OTHERWISE STATED DEC ± 0.5 ANGLES ± 1°				DR. <i>Mick Wade</i> 22-6-87 CH. R. J. S. APP. R. J. S.	
NAME 18 WAY RECEPTACLE HOUSING ASSY. FOR ECONOSEAL 3 (WIRE TO BOARD)				TE Connectivity	
B1	HMR	ECO-11-005294	12APR11	SCALE 2/1	LOC E
REV	APPROVED	ECO	DATE	SIZE A2	DWG. No. c344106
				REV B1	SHEET 1 / 1