

C27.4 Series CAPACITORS FOR MOTOR APPLICATIONS

Typical applications: the capacitor is used in series to the auxiliary winding of a single-phase motor, allowing it to start and increase its torque while working.
 Main application fields: low power electric motors, compressors.

Vendor part number: C274ACFxxxxWA0J

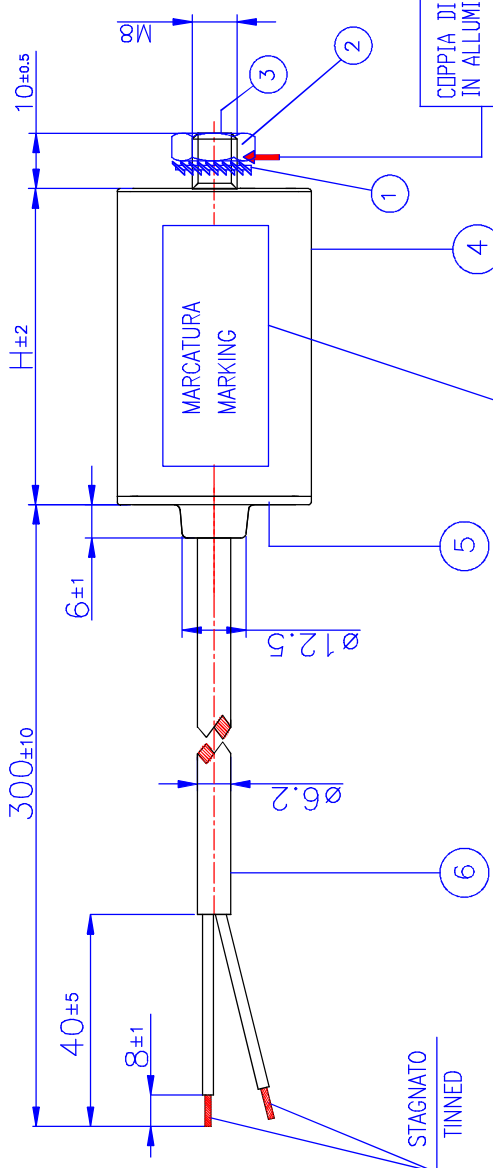
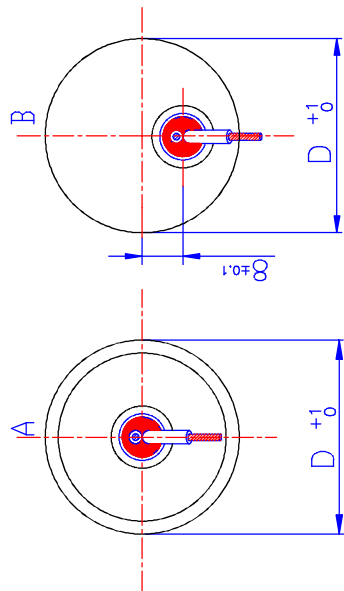
Capacitance:	see table	Rated current:	see table
Capacitance tolerance:	± 5 %	Max. dV/dt:	20 V/μs
Class of operation:	CLASS A-30.000 hours, 420Vac/25/085/21 CLASS B-10.000 hours, 470Vac/25/085/21	Can diameter:	see drawing
		Can height:	see drawing

General technical data

Reference standards:	EN 60252-1: 2011/A1:2013	Filling Resin:	Polyurethane Resin
Approvals:	IMQ	Plates:	Self-healing metal layer
Type of Service:	Continuous	Test voltage terminal-terminal:	2 Vn for 2 s
Operating Temperature:	- 25 / +85 °C	Test voltage terminal-can:	2.000 Volt for 2 s
Storage Temperature:	- 25 / +85 °C	Total Harmonic Distortion:	Up to 10%
Rated voltage Vn (AC):	470 Vac	Fire Load:	45 MJ/kg
Rated frequency (Hz):	50-60Hz	Discharge Resistor	330 kOhm/2 Watts - internally assembled
Voltage rise/fall time(max):	20 V / μsec	Vibration test:	IEC 60068-2-6
Maximum Permissible Voltage:	1.10 x Rated Voltage	Can:	Polypropylene with self-extinguishing features V2 (UL94)
Maximum Permissible Current:	1.30 x Rated Current	Disk:	Polypropylene with self-extinguishing features V2 (UL94)
Dissipation factor, TgD:	20 x 10E-4 at 20°C, 50 Hz	Termination:	H05V2V2-F Cable 2x 0.75mm2, colour black
Safety class:	P0	Nut:	M8 Zn coated steel UNI5589 - DIN 936
Maximum Altitude:	No power derating applicable up to an altitude of 2200 meters. At higher altitudes than 2200 meters, please contact us for the Power derating	Washer:	ø 8.4 mm. Zn coated steel DIN 6798
Mounting:	Any position		
Dielectric:	Polypropylene film		

IL CONDENSATORE PUO' ESSERE FORNITO
CON USCITA CAVO ASSIALE O LATERALE (A - B)

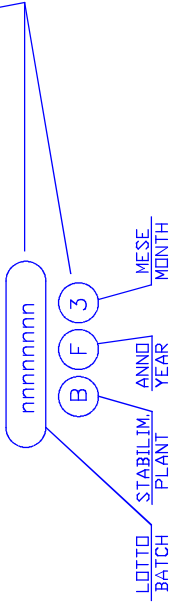
CAPACITOR CAN BE SUPPLIED WITH AXIAL
OR LATERAL CABLE HOLE (A - B)



COPPIA DI SERRAGGIO SUL CODDOLLO
IN ALLUMINIO FILETTATO M8 5Nm
MAX FIXING TORQUE M8 BOLT 5 Nm

AV ARCONICS 1.27.4ACF MKP X µF ±5%
420V~ 30000h/class A
470V~ 10000h/class B
-25/85/21 SH
P0 EN60252-1
CE X
nnnnnnnn
B F3

ESEMPIO CODIFICA DATI DI IDENTIFICAZIONE NELLA TIMBRATURA
EXAMPLE OF IDENTIFICATION DIGIT IN THE MARKING



6	CAVO H05V2V2-F FRECCHE NON STAGNATE SEZ.0,75mm ² COLORE NERO H05V2V2-F CABLE 2 WIRES UNTINNED SECT. 0.75mm ² COLOUR BLACK
5	DISCETTO IN PP 66 AUTTESTIV2 COLORE BIANCO RAL 9001-9010 DECK SELF-EXTINGUISHING V2 PP COLOUR WHITE RAL 9001-9010
4	CUSTODIA IN PP AUTTESTI. V2 COLORE BIANCO RAL 9001-9010 POLYPROPYLENE CAN SELF-EXTINGUISHING V2 COLOUR WHITE RAL 9001-9010
3	CODDOLLO FILETTATO M8x10 IN ALLUMINIO ALUMINIUM BOLT M8x10
2	RONDINELLA 8.4 ACC. ZN. DIN 6798 WASHER A 8.4 DIN 6798 WHITE STEEL ZN.
1	DADO M8 ACC. ZN. UNI 5589 DIN 936 NUT M8 UNI 5589 DIN 936 WHITE STEEL ZN.
Pos.	MATERIALE
Note	
KEMET FEBEC LIGHTING AND MOTOR CAPACITORS	
PROGETTISTA : s.Milosheva	
SCALA INDICATION ONLY	
C274ACFxxxxWAOJ	
Q.I. CONDENSATORE SERIE C.27.4 OVERALL DIMENSIONS CAP. C.27.4 SERIES	

C274ACFxxxxWA0J

KEMET P/N	NOM. CAPACITY μF	RATED CURRENT A	D mm	H mm	X μF
C274ACF4250WA0J	2.5	0.37	25	57	2.5
C274ACF4500WA0J	5	0.74	30	58.5	5
C274ACF4600WA0J	6	0.89	35	58.5	6
C274ACF4800WA0J	8	1.18	35	58.5	8
C274ACF5150WA0J	15	2.21	40	71.5	15
CC274ACF5200WA0J	20	2.95	45	71.5	20
C274ACF5250WA0J	25	3.70	45	95.5	25
C274ACF5300WA0J	30	4.42	45	95.5	30
C274ACF5350WA0J	35	5.16	50	95.5	35
C274ACF5400WA0J	40	5.90	50	120.5	40

General Disclaimer

All product specifications, statements, information and data given herein are believed to be accurate and reliable, but are presented without guarantee, warranty, or responsibility of any kind, expressed or implied. Statements of suitability for certain applications are based on our knowledge of typical operating conditions for such applications, but are not intended to constitute – and we specifically disclaim – any warranty concerning suitability for a specific customer application or use. This Information is intended for use only by customers who have the requisite experience and capability to determine the correct products for their application.

Prototype Sample Disclaimer

All The Customer acknowledges the following limitations of the prototype samples:

- (1) Prototype samples are manufactured from preliminary designs and manufacturing processes; may not represent final designs; have not been released for commercial use and are not subject to the same quality control procedures applicable to released products.
- (2) Prototype samples are not qualified parts and are provided "as-is" by KEMET Electronics Corporation, which specifically disclaims any and all warranties and guarantees, explicit or implied, including, without limitation, the warranties of merchantability and fitness for a particular purpose or use.
- (3) Prototype samples are not intended for commercial use; are provided for engineering evaluation only and are not recommended for use in the Customer's production line. (4) The Customer assumes the risk of any and all uses that the Customer makes of the prototype samples.

Data sheet edition

The present data sheet replaces and supersedes any former one released by KEMET.

KEMET's product warranty is set forth at www.kemet.com under Terms and Conditions of Sale.

COPYRIGHT KEMET ELECTRONICS CORPORATION 2015, all rights reserved.