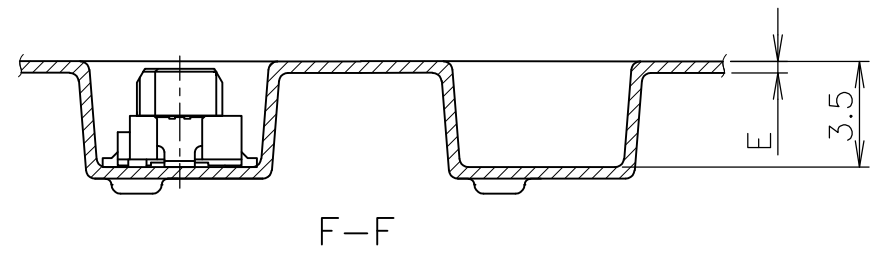
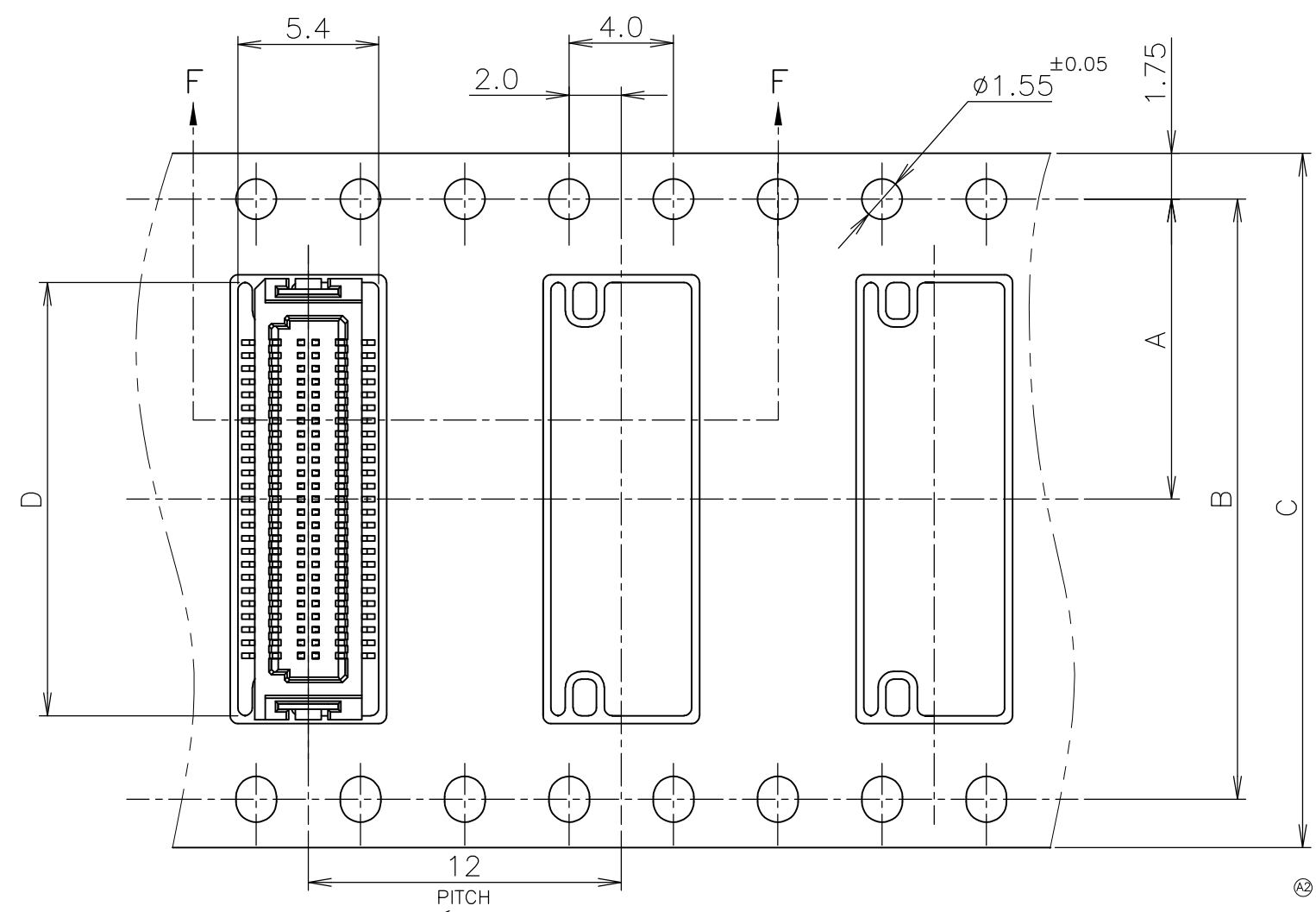


THIS DRAWING IS UNPUBLISHED. RELEASED FOR PUBLICATION FEB, 1997.
 © COPYRIGHT 1997 By - ALL RIGHTS RESERVED.

LOC	DIST	REVISIONS					
J		P	LTR	DESCRIPTION	DATE	DWN	APVD
			A3	REVISED ECR-15-004483	23MAR2015	I.T	W.H



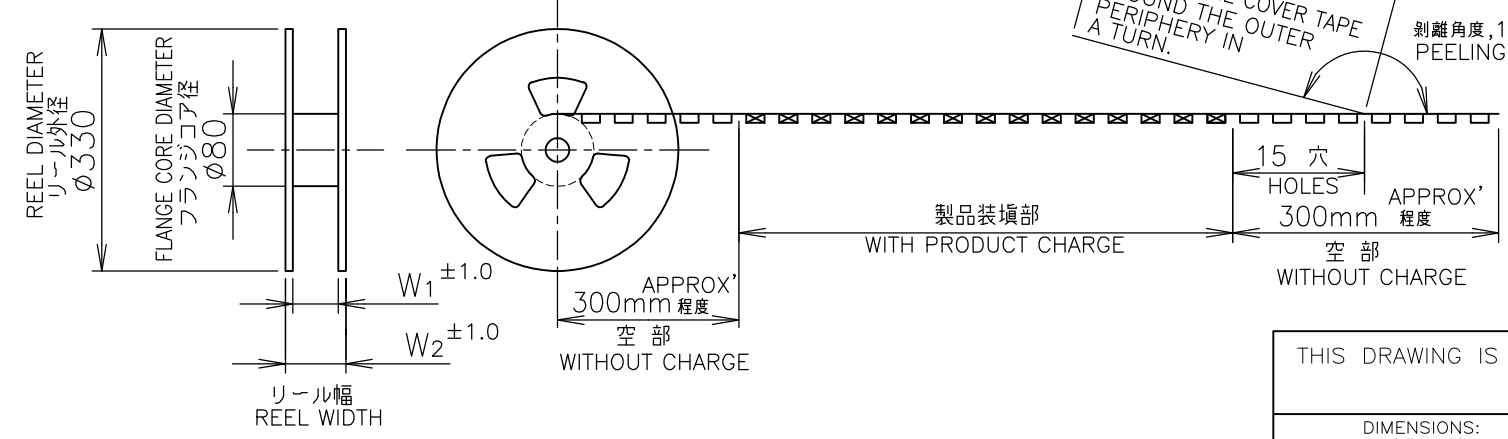
テープ幅
TAPE WIDTH

BOSS	Material	W2	W1	E	D	C	B	A	QTY/REEL	POS	CONNECTOR P/N	TAPING P/N
WITH BOSS	N	36.7	33.5	0.4	22.2	32	28.4	14.2	1000	70	5-1747023-4	5-1747022-4
		49.5	45.5	0.38	24.7	40	40.4	20.2	1000	80	5-1747023-3	5-1747022-3
WITHOUT BOSS	N	20.7	17.5	0.38	8.7	16	7.5	7.5	1000	16	1-1747023-0	1-1747022-0
	Y	20.2	17.5	0.4	9.7	16	7.5	7.5	1000	20	1747023-9	6-1747022-9
	N	20.2	17.5	0.4	9.7	16	7.5	7.5	1000	20	1747023-9	1747022-9
WITHOUT BOSS	N	49.5	45.5	0.38	24.7	40	40.4	20.2	1000	80	1747023-3	1747022-3

Ⓜ OBSOLETE
 Ⓜ PRELIMINARY

引出し方向
TOP OF REEL →

カバーテープ
リーダー部
外周一巻
WEEDING THE COVER TAPE
AROUND THE OUTER
PERIPHERY IN
A TURN.
剥離角度, 165°~180°
PEELING ANGLE.



鉛フリー
LEAD FREE

THIS DRAWING IS A CONTROLLED DOCUMENT.

DIMENSIONS: 単位: 耗 MM	TOLERANCES UNLESS OTHERWISE SPECIFIED: 一般公差
0 PLC ±0.2	1 PLC ±0.2
2 PLC ±0.2	3 PLC ±0.2
4 PLC ±0.2	ANGLES ±3°
MATERIAL 材料	FINISH 仕上

INSTRUCTION SHEET
取扱説明書
411-5808

WIRE RANGE
抱合電線断面積
-

INSULATION DIA
被覆外径
-

DWN Y.NAKAZAWA
CHK



APVD

NAME
名称
ON TAPING (EMBOSS)

PRODUCT SPEC
製品規格
108-5496

0.5mm PITCH FINE MATE CONN.
RECEPTACLE ASSEMBLY WITH KEY & BOSS

APPLICATION SPEC
取付適用規格

SIZE A3 CAGE CODE 00779 DRAWING NO. C-1747022 RESTRICTED TO

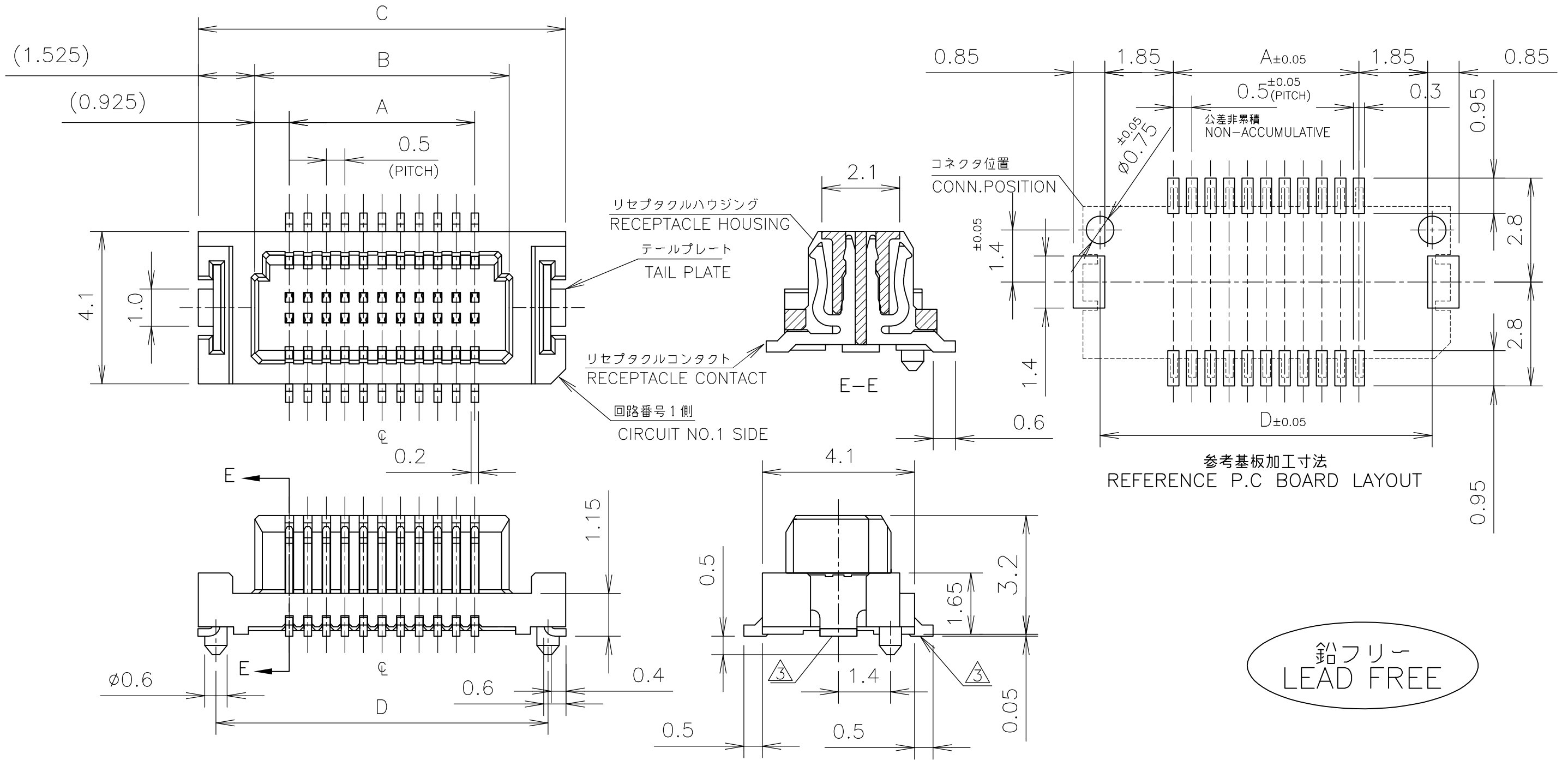
WEIGHT

SCALE 4:1 SHEET 1 OF 3 REV A3

CUSTOMER DRAWING

THIS DRAWING IS UNPUBLISHED. RELEASED FOR PUBLICATION FEB, 1997.
 © COPYRIGHT 1997 By - ALL RIGHTS RESERVED.

LOC	DIST	REVISIONS			
J		変更	DATE	DWN	APVD
		DESCRIPTION			
		SEE SHEET 1	-	-	-



CONNECTOR 1747023* AS SHOW

THIS DRAWING IS A CONTROLLED DOCUMENT.

DIMENSIONS:	TOLERANCES UNLESS OTHERWISE SPECIFIED:
単位: 概	一般公差
MM	
0 PLC	± 0.2
1 PLC	± 0.2
2 PLC	± 0.2
3 PLC	± 0.2
4 PLC	± 0.2
ANGLES	± 3'
MATERIAL	FINISH
材料	仕上

INSTRUCTION SHEET 取扱説明書 411-5808	WIRE RANGE 抱合電線断面積 -	INSULATION DIA 被覆外径 -
DWN	TE Connectivity	
CHK		
APVD	NAME 名称 ON TAPING (EMBOSS) 0.5mm PITCH FINE MATE CONN. RECEPTACLE ASSEMBLY WITH KEY & BOSS	
PRODUCT SPEC 製品規格 108-5496	SIZE A3	CAGE CODE 00779
APPLICATION SPEC 取付適用規格	DRAWING NO 番号 C-1747022	
WEIGHT	RESTRICTED TO	
CUSTOMER DRAWING	SCALE 尺度 4:1	SHEET 2 OF 3
		REV A3

THIS DRAWING IS UNPUBLISHED. RELEASED FOR PUBLICATION FEB ,1997.
 © COPYRIGHT 1997 By - ALL RIGHTS RESERVED.

LOC	DIST	REVISIONS 変更					
J		P	LTR	DESCRIPTION	DATE	DWN	APVD
		-		SEE SHEET 1	-	-	-


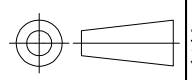
鉛フリー
LEAD FREE

- 1 嵌合相手製品番号 : 1747039, 1747255 (V-TYPE)
1747258 (H-TYPE)
- 2 材料 :
リセプタクルハウジング : 耐熱性樹脂
リセプタクルコンタクト : 銅合金 (t=0.2mm) 金めっき
テールプレート : 銅合金 (t=0.2mm) 錫めっき
- △ 3 全てのタイン部及びテールプレートの
バラツキは0.1mmMAX

- 1 MATING COUNTER PART NUMBER : 1747039, 1747255 (V-TYPE)
1747258 (H-TYPE)
- 2 MATERIAL : REC HOUSING : HIGH HEAT-RESISTED RESIN, NYLON
REC. CONTACT : COPPER-ALLOY(t=0.2mm)
Au PLATING, 0.05~0.127um
TAIL PLATE : COPPER-ALLOY(t=0.2mm)
MATTE TIN PLATING, 2um Min
- △ 3 MISALIGNMENT BETWEEN TAINS AND TAIL PLATE : 0.1mmMAX

WITH BOSS											
	23.45	21.9	18.85	17	35	70	5-1747023-4				
	20.95	24.4	21.35	19.5	40	80	5-1747023-3				
WITHOUT BOSS											
		8.4	5.35	3.5	8	16	1-1747023-0				
		9.4	6.35	4.5	10	20	1747023-9				
		24.4	21.35	19.5	40	80	1747023-3				
	D	C	B	A	n	POS.	PART NO.				
DIMENSION											

CONNECTOR 1747023* AS SHOW

THIS DRAWING IS A CONTROLLED DOCUMENT.		DWN		 TE Connectivity ON TAPING (EMBOSS) 0.5mm PITCH FINE MATE CONN. RECEPTACLE ASSEMBLY WITH KEY & BOSS			
DIMENSIONS: 単位: 耗 MM		TOLERANCES UNLESS OTHERWISE SPECIFIED: 一般公差					
		0 PLC ± 0.2		PRODUCT SPEC 製品規格 108-5496		SIZE	
		1 PLC ± 0.2		APPLICATION SPEC 取付適用規格		CAGE CODE	
MATERIAL 材料		FINISH 仕上		WEIGHT		DRAWING NO 番号 A3 00779 C-1747022	
CUSTOMER DRAWING				SCALE 尺度 4:1		SHEET 3 OF 3	
						REV A3	