

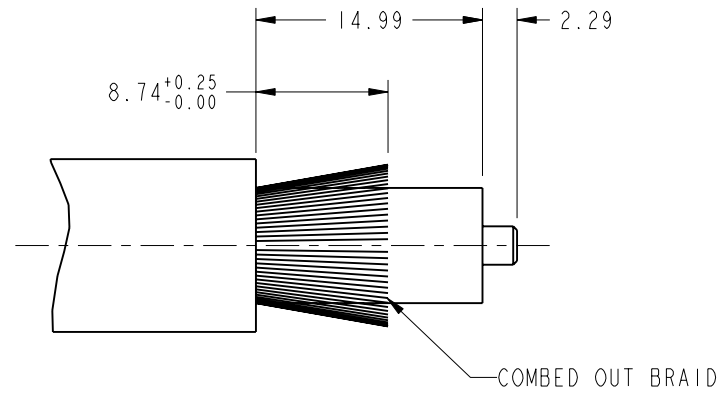
NOTES:

1. MATERIALS AND FINISHES:
 BODY - BRASS, NICKEL PLATING
 CONTACT - BERYLLIUM COPPER AND BRASS, SILVER PLATING
 INSULATOR - PTFE, NATURAL
2. ELECTRICAL:
 A. IMPEDANCE: 50 OHM
 B. FREQUENCY RANGE: DC 0-4 GHz
 C. DIELECTRIC WITHSTANDING VOLTAGE: 1500 VRMS, MIN.
3. MECHANICAL:
 A. DURABILITY: 500 CYCLES MIN.
 B. TEMPERATURE RANGE: -65° C TO +165° C
4. PACKAGING:
 A. QUANTITY: SINGLE PACK
 B. MARKING: BAG TO BE MARKED
 "AMPHENOL RF, 82-856, AND DATE CODE"
5. SHOWS CABLE ENTRY DIMENSIONS.
6. USED WITH CABLES RG8/U, 8A/U, 9/U, 9A/U & 9B/U, 11/U, 11A/U, 13/U, 13A/U, 63/U, 114/U, 114A/U, 213/U & 216/U.

THIRD ANGLE PROJ.

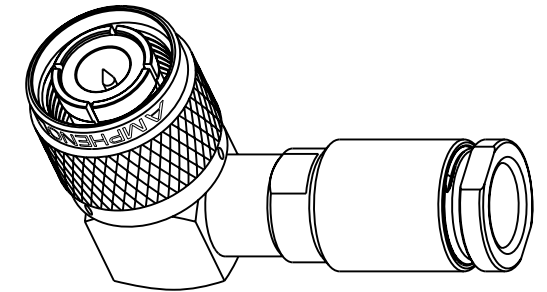
REVISIONS

REV	DESCRIPTION	DATE	ECO	APPR
A	OFFICIAL ENG. RELEASE	29-Dec-52	2928	CPM
W	SYNC THE DRAWING	21-Apr-11	48526	SH
Y	UPDATED EXPLODED VIEW	26-Mar-14	49898	SH

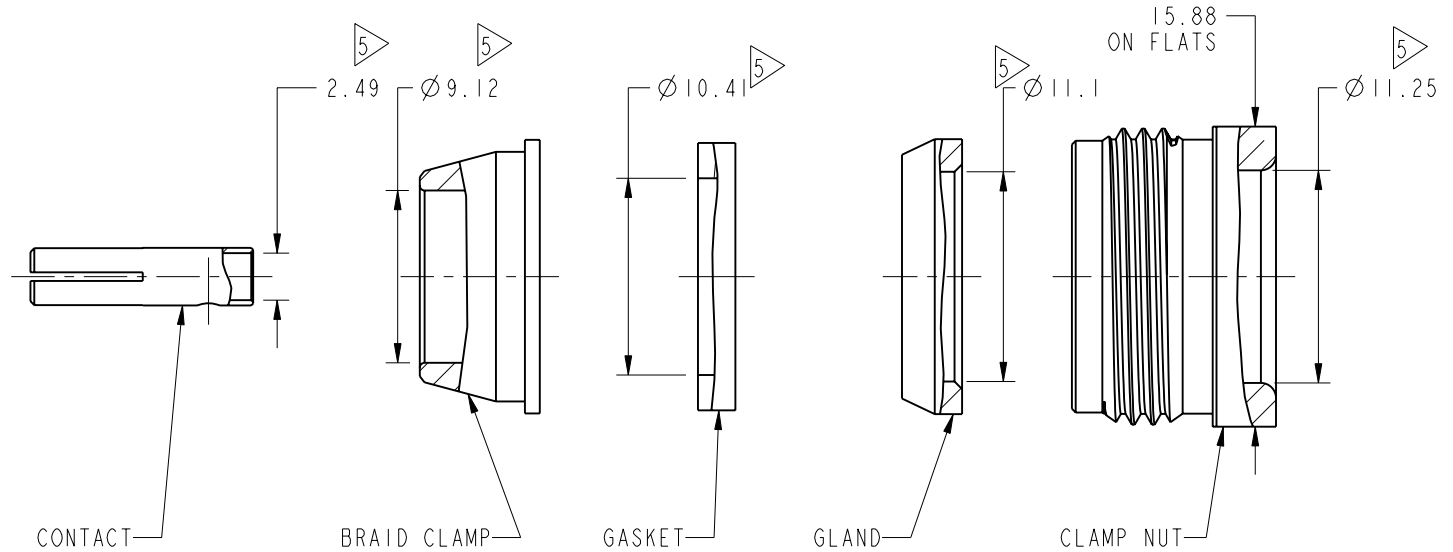
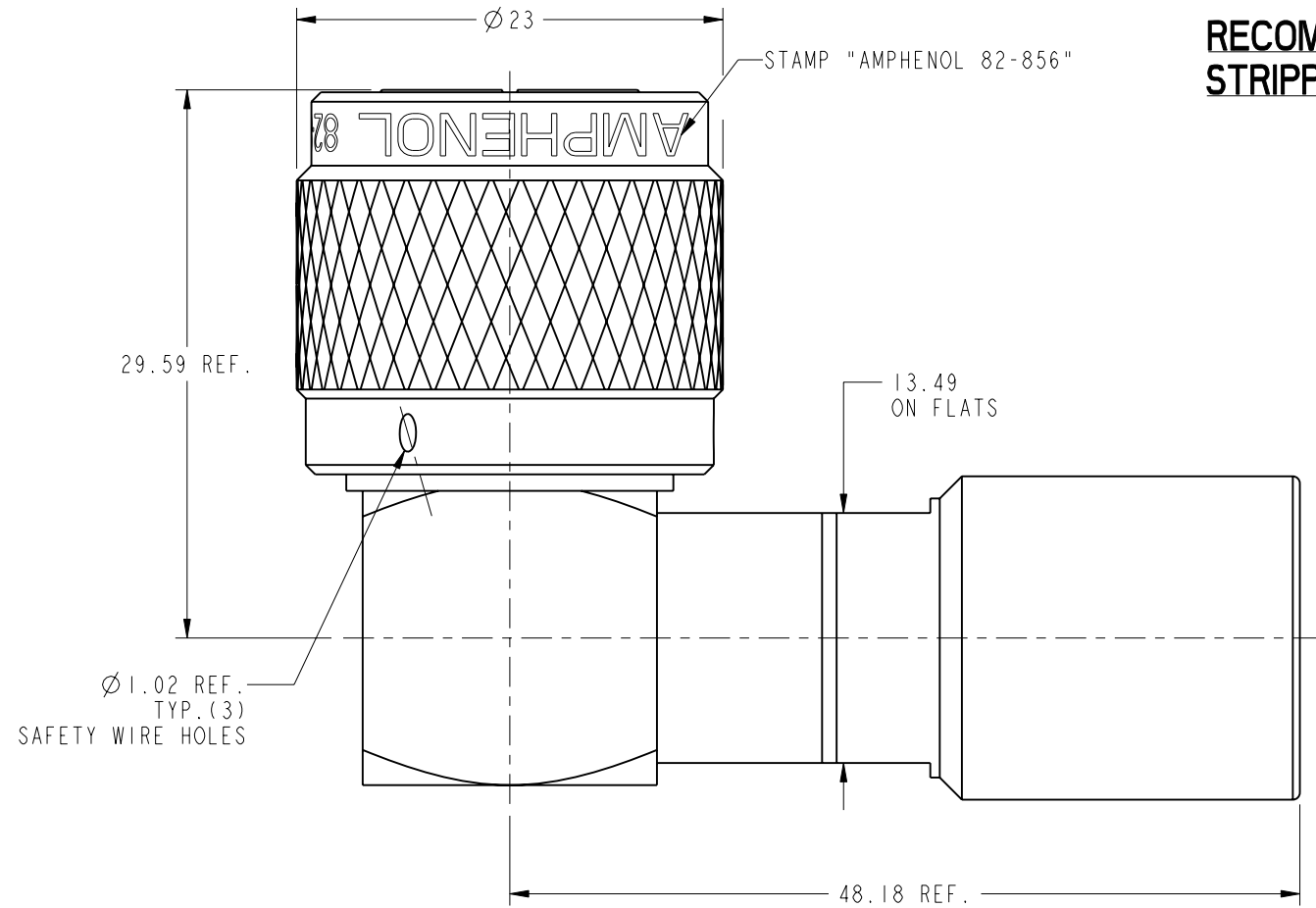


SCALE 2.000

RECOMMENDED CABLE STRIPPING DIMENSIONS



SCALE 1.000



CUSTOMER OUTLINE DRAWING
 ALL OTHER SHEETS ARE FOR INTERNAL USE ONLY

UNLESS OTHERWISE SPECIFIED, DIMENSIONS ARE IN METRIC AND TOLERANCES ARE: <0.5mm ±0.05mm 0.5 - 6mm ±0.1mm 6 - 30mm ±0.2mm 30 - 120mm ±0.3mm ANGLES ±1°	MATERIAL	DRAWN J. CHENG	DATE 26-Mar-14	TITLE TYPE "HN" ANGLE PLUG	Amphenol RF www.amphenolrf.com
	NOTICE - These drawings, specifications, or other data (1) are, and remain the property of Amphenol corp. (2) must be returned upon request; and (3) are confidential and not to be disclosed to any person other than those to whom they are given by Amphenol Corp. the furnishing of these drawings, specifications, or other data by Amphenol Corp., or to any other person to anyone for any purpose is not to be regarded by implication or otherwise in any manner licensing, granting rights to permitting such holder or any other person to manufacture, use or sell any product, process or design, patented or otherwise, that may in any way be related to or disclosed by said drawings, specifications, or other data.	REFERENCE FAIRCHILD RE-10542 CONFIGURATION LEVEL:	ENGINEER H. HUTTER		
	FINISH	APPROVED S. HSIEH	DATE 26-Mar-14	SCALE: 2.5:1.0 SHEET 2 OF 2	ITEM NO. 82-856
		CAD FILE		DWG SIZE B	REV Y
					PART NO. 82-856