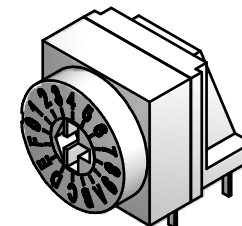


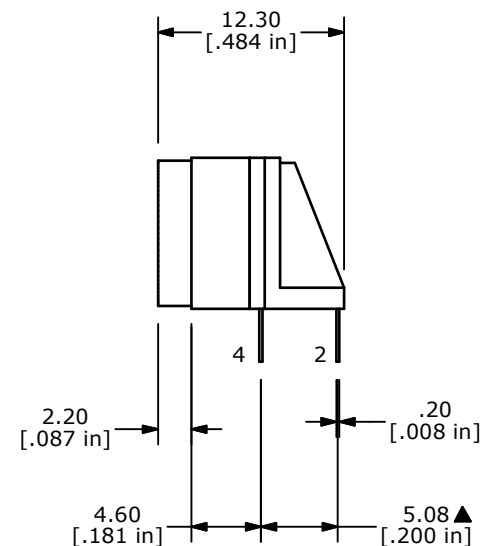
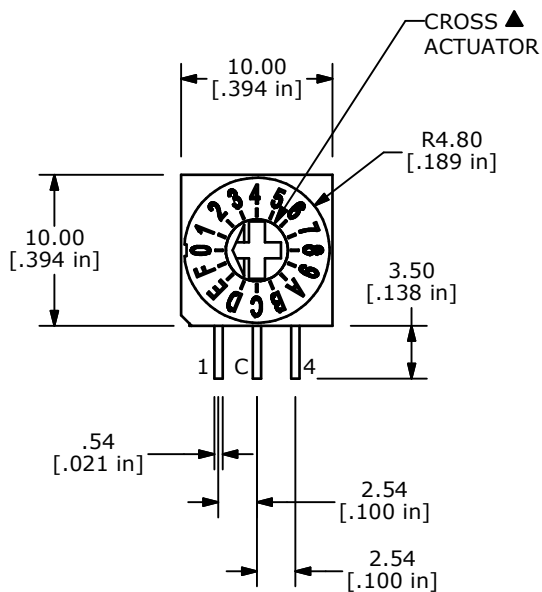
REAL CODE

|    | C | 1 | 2 | 4 | 8 |   |
|----|---|---|---|---|---|---|
| 0  | ● |   |   |   |   | 0 |
| 1  | ● | ● |   |   |   | 1 |
| 2  | ● |   | ● |   |   | 2 |
| 3  | ● | ● | ● |   |   | 3 |
| 4  | ● |   |   | ● |   | 4 |
| 5  | ● | ● |   | ● |   | 5 |
| 6  | ● |   | ● | ● |   | 6 |
| 7  | ● | ● | ● | ● |   | 7 |
| 8  | ● |   |   |   | ● | 8 |
| 9  | ● | ● |   |   | ● | 9 |
| 10 | ● |   | ● |   | ● | A |
| 11 | ● | ● |   |   | ● | B |
| 12 | ● |   |   | ● | ● | C |
| 13 | ● | ● | ● | ● | ● | D |
| 14 | ● |   | ● | ● | ● | E |
| 15 | ● | ● | ● | ● | ● | F |



NOTES:

1. ALL DIMENSIONS IN mm [INCH]
2. GENERAL TOLERANCE: X.X=± 0.4  
X.XX=± 0.25
3. TERMINAL NUMBERS FOR REFERENCE ONLY
- ▲ 4. OPERATING FORCE: 700gf/cm MAX.
5. CONTACT RATING: 150mA, 42V DC (SWITCHING)  
200mA 42V DC (NON-SWITCHING)
6. CONTACT RESISTANCE: 80mΩ MAX.
7. INSULATION RESISTANCE: 100MΩ MIN @ 250VDC
8. DIELECTRIC STRENGTH: 250VAC 1 MIN.
9. LIFE: 10,000 STEPS
10. OPERATING TEMPERATURE: -40°C TO 85°C
11. PACKAGING: 50 PCS PER TUBE
12. ▲ DENOTES CRITICAL PARAMETER
13. 2002/95/EC (ROHS) COMPLIANT



TITLE RDTCR16R1T

|     |        |                 |          |     |
|-----|--------|-----------------|----------|-----|
| A   | 20620  | INITIAL RELEASE | 06/05/12 | drg |
| REV | PCR NO | DESCRIPTION     | DATE     | BY  |

THE INFORMATION CONTAINED IN THIS DOCUMENT IS PROPRIETARY TO E-SWITCH AND IS NOT TO BE COPIED OR TRANSFERRED

|       |           |     |         |     |
|-------|-----------|-----|---------|-----|
| SCALE | DATE      | DR  | DWG     | REV |
| NONE  | 4/20/2012 | drg | U200018 | A   |