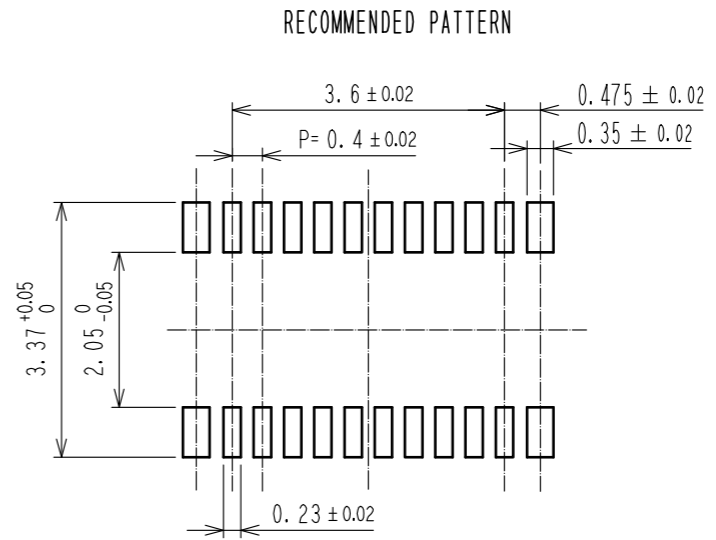
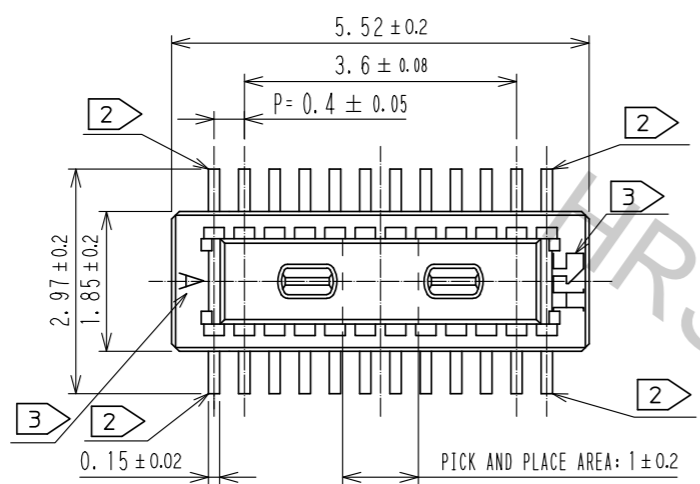
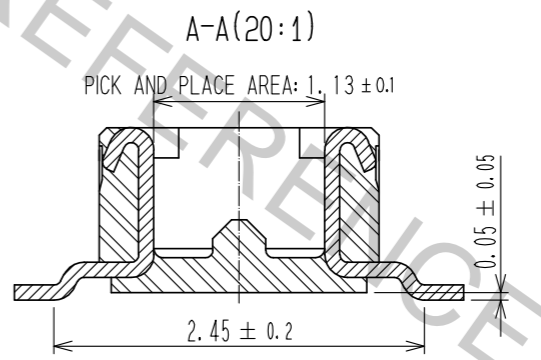
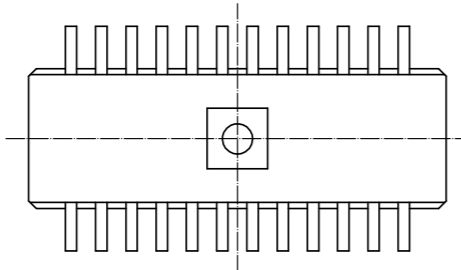
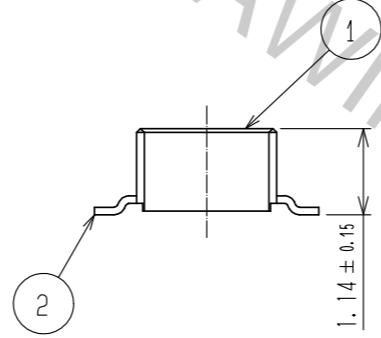
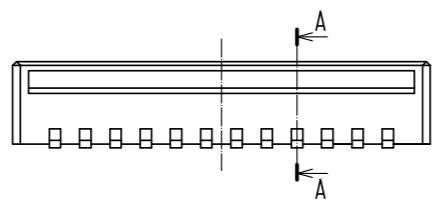


May.1.2017 Copyright 2017 HIROSE ELECTRIC CO., LTD. All Rights Reserved.



RECOMMENDED METAL MASK THICKNESS : 120 μm  
 RECOMMENDED METAL MASK OPENING RATIO : 80% FOR LEAD PAD



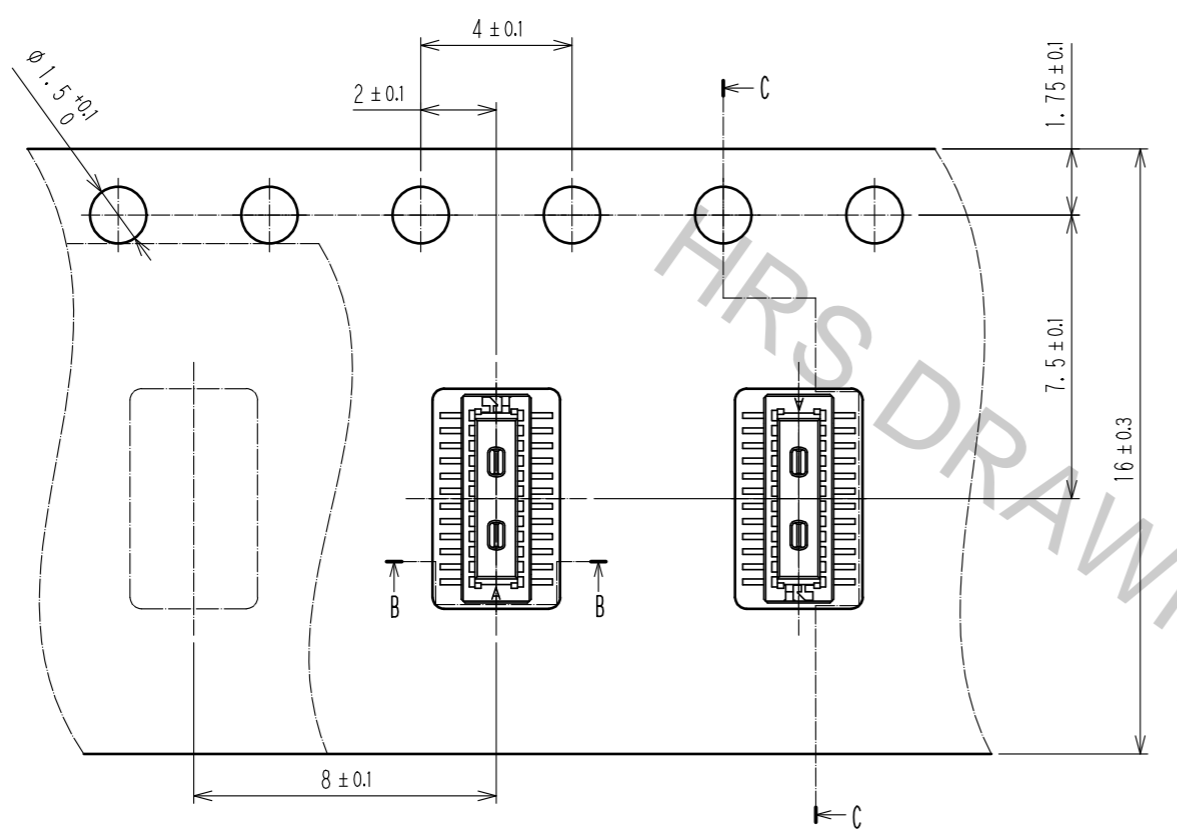
NOTES 1. ALL LEADS CO-PLANARITY SHALL BE 0.1mm MAX.  
 2 EACH ONE CONTACT AT 4 CORNERS SHALL BE USED AS METAL HOLD DOWN.  
 3 HRS MARK AND CAV NO. IS INDICATED IN APPROXIMAL POSITION SHOWN.  
 THE INDICATION COULD BE ON THE UPPER SURFACE OF DESIGN ON THE CONNECTOR.

2	PHOSPHOR BRONZE	CONTACT AREA:GOLD 0.05 μm MIN	6	PS	CLEAR, REINFORCEMENT COLLAR
		SMT LEAD:GOLD 0.05 μm MIN	5	PS	BLACK, PLASTIC REEL
		UNDERPLATING:NICKEL 1 μm MIN	4	POLYESTER	CLEAR, COVER TAPE
1	LCP	BLACK, UL94V-0	3	PS	CLEAR, EMBOSSED CARRIER TAPE
NO.	MATERIAL	FINISH . REMARKS	NO.	MATERIAL	FINISH . REMARKS

UNITS mm		SCALE 10:1	COUNT 	DESCRIPTION OF REVISIONS	DESIGNED	CHECKED	DATE
APPROVED :MO. ISHIDA 16.06.16				DRAWING NO. EDC-311342-58-00			
CHECKED :TS. MIYAZAKI 16.06.16				PART NO. DF40C-20DP-0.4V(58)			
DESIGNED :SH. HOSODA 16.06.14				CODE NO. CL684-4010-9-58			
DRAWN :SN. NUMAZAKI 16.06.14				1/2			

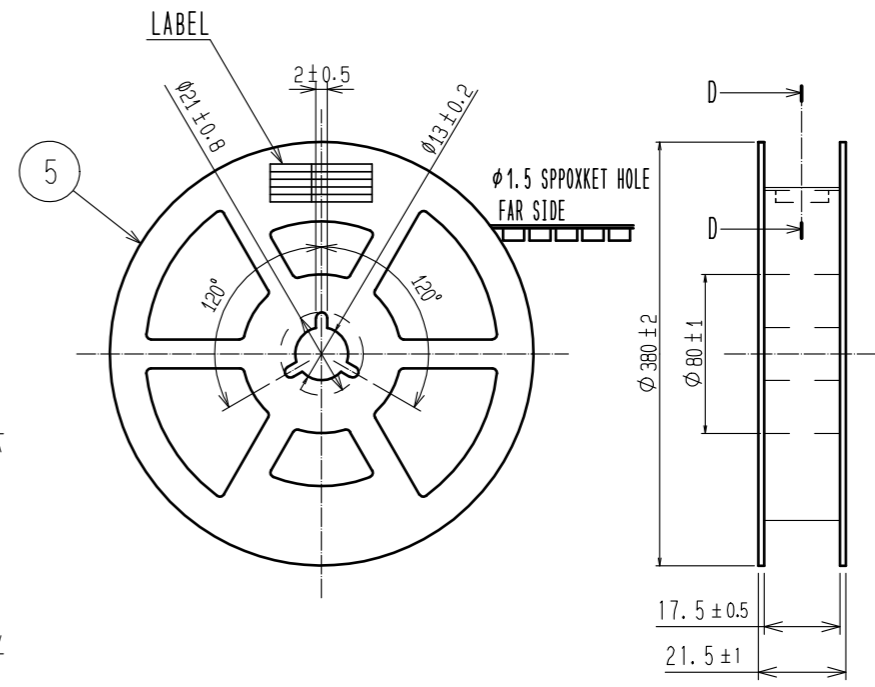
May.1.2017 Copyright 2017 HIROSE ELECTRIC CO., LTD. All Rights Reserved.

EMBOSSED CARRIER TAPE PACKAGING (5:1)



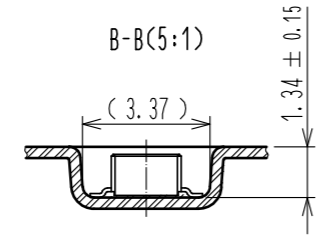
DIRECTION OF UNREELING →

STYLE AND DIMENSION OF REEL (FREE)

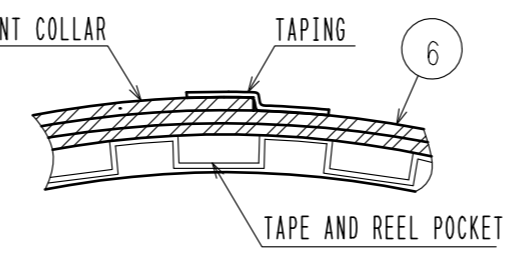


7 > DETAIL OF LABEL

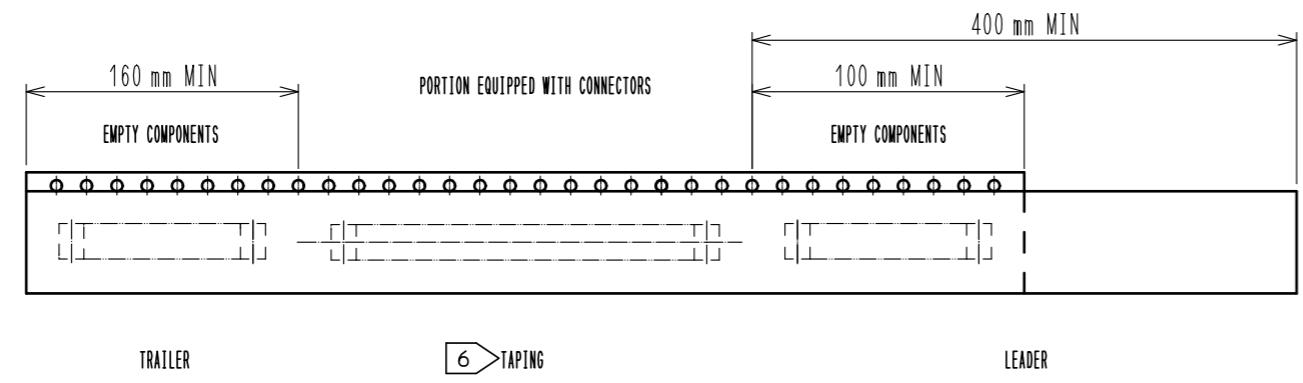
製造年月日	** ** *
製品コード	CL684-4010-9-58
製品名	DF40C-20DP-0.4V(58)
数量	1000
納入者	ヒロセ電機(株)



8 > REINFORCEMENT COLLAR



- NOTES
- 4. PER REEL 1000 CONNECTORS.
  - 5. THE DIMENSIONS IN PARENTHESES ARE FOR REFERENCE.
  - 6 > REFER TO JIS C 0806, IEC 60286-3 (PACKING OF COMPONENTS FOR AUTOMATIC HANDLING)
  - 7 > DETAIL OF PART No. LABEL IS WRITTEN IN JAPANESE. PART NO. LABEL DESCRIBES THE FOLLOWING INFORMATION FROM TOP.  
 PRODUCTION DATE:  
 PRODUCT CODE: CL684-4010-9-58  
 PART NUMBER: DF40C-20DP-0.4V(58)  
 NUMBER OF PIECES: 1000 PIECES  
 SUPPLIER NAME: HIROSE ELECTRIC CO., LTD.
  - 8 > AFTER PACKAGING, ROLL 2 METERS OF THE REINFORCEMENT COLLAR TO OUTER CIRCUMFERENCE OF TAPE AND REEL POCKET, AND TAPE DOWN AT THE END THE COLLAR.



<b>HRS</b>	DRAWING NO.	EDC-311342-58-00
	PART NO.	DF40C-20DP-0.4V(58)
	CODE NO.	CL684-4010-9-58