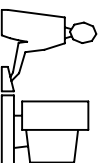
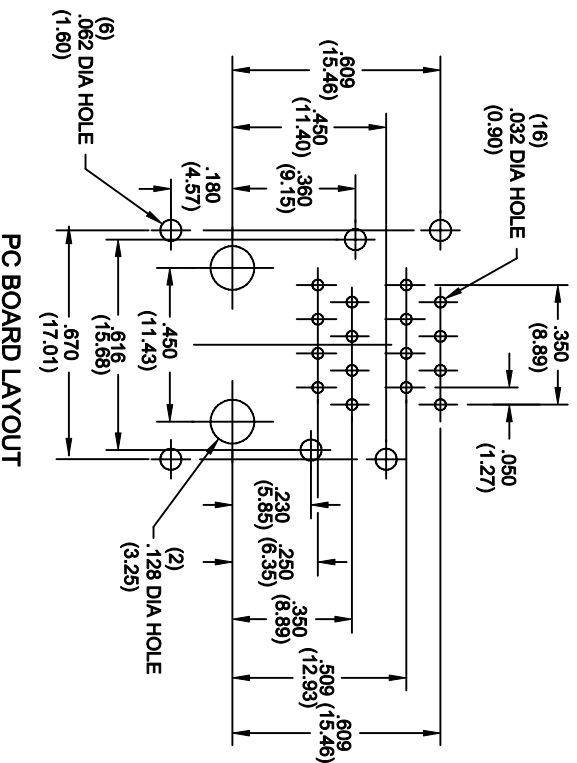
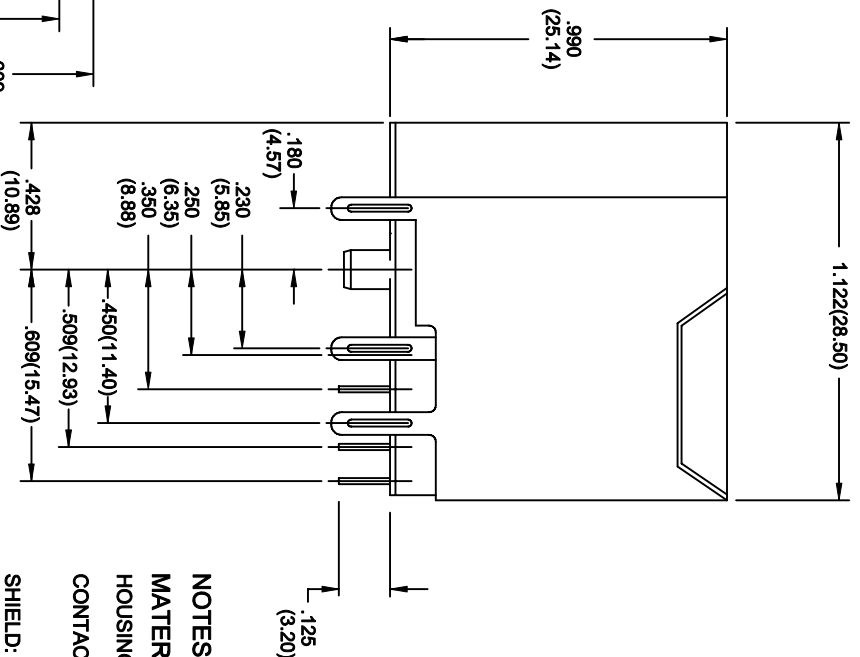
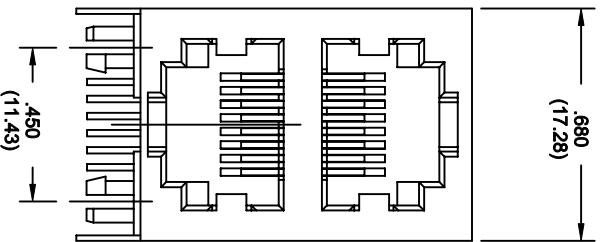


THIS IS A C.A.D. GENERATED DRAWING  
DO NOT MAKE MANUAL REVISIONS TO MASTER.



ISSUE NUMBER	1
ORIGINAL	1
CONTACT PLATING WAS GOLD ON CONTACT AREA TIN ON TAILS	2
F.BRIONES DEC.04/09	2



**NOTES**

**MATERIAL AND FINISH:**

HOUSING: PBT POLYESTER, UL94V-0, GLASS FIBER, COLOR BLACK

CONTACTS: PHOSPHOR BRONZE, GOLD PLATED ON CONTACT AREA

AND GOLD FLASH ON TAILS OVER NICKEL

SHIELD: BRASS, NICKEL PLATED

- AOO-216-272-450 GOLD FLASH
- AOO-216-372-450 15 MICRONS OF GOLD
- AOO-216-672-450 30 MICRONS OF GOLD
- AOO-216-972-450 50 MICRONS OF GOLD



THIS SERIES FULLY CONFORMS TO THE  
EUROPEAN UNION DIRECTIVES 2002/95/EC  
AND 2002/96/EC FOR ROHS COMPLIANCY.

**2X8P FULL SHIELDED JACKS**



EDAC INC  
TORONTO, ONTARIO  
CANADA

YOUR CONNECTION TO QUALITY & SERVICE

THESE DRAWINGS AND SPECIFICATIONS  
ARE THE PROPERTY OF EDAC INC, AND  
SHALL NOT BE REPRODUCED, OR COPIED  
OR USED AS THE BASIS FOR THE  
MANUFACTURE OR SALE OF APPARATUS  
WITHOUT WRITTEN PERMISSION.

ACAD REF. DRAWING: A00-216-272-450

DRAWN: F.BRIONES DATE: AUG. 12/04

DRAWING NUMBER

SEE ABOVE

DRAWING NUMBER

A00-216-272-450

ISSUE

2