

INTEGRATED CONNECTOR MODULES

0826-1AX1-47-F 10/100Base-TX Single Port MagJack® with LEDs



LED1 POLARITY			LED2 POLARITY		
PIN 11	PIN 12	COLOR	PIN 13	PIN 14	COLOR
-	+	YELLOW	-	+	GREEN

ELECTRICAL CHARACTERISTICS @ 25°C

URNS RATIO

TX	ICT : 1
RX	ICT : 1

CL @ 100kHz/100mVRMS

8mA DC BIAS	350μH MIN.
-------------	------------

INS. LOSS

1MHz TO 100MHz	-1.0 dB MAX
----------------	-------------

RET. LOSS (MIN)

1MHz-30MHz	-18 dB
30MHz-60MHz	-18+20LOG(F/30MHz) dB
60MHz-80MHz	-12 dB

CROSS TALK (TX - RX)

500kHz - 100 MHz	-35 dB MIN
------------------	------------

CM TO CM REJ

100kHz - 100 MHz	-30 dB MIN
------------------	------------

CM TO DM REJ

100kHz - 100 MHz	-40 dB MIN
------------------	------------

HIPOT (Isolation Voltage):

LED 1	1500 Vrms
-------	-----------

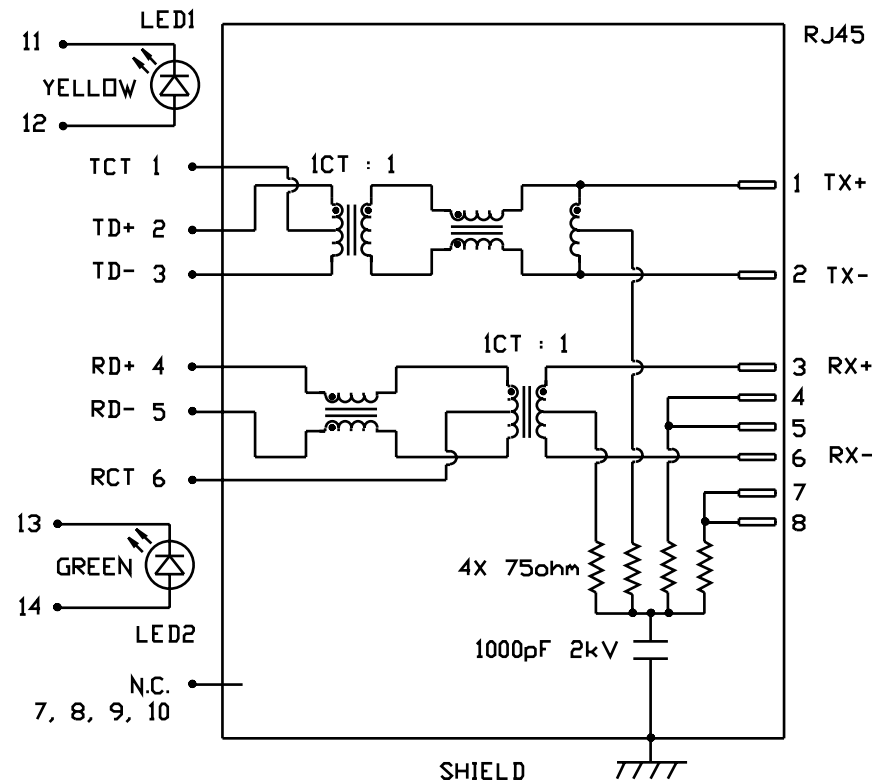
LED 1

V _F (FORWARD VOLTAGE)	IF=20mA	YELLOW	2.1V TYP.
λ _D (DOMINANT WAVELENGTH)	IF=20mA	YELLOW	590nm TYP.

LED 2

V _F (FORWARD VOLTAGE)	IF=20mA	GREEN	2.2V TYP.
λ _D (DOMINANT WAVELENGTH)	IF=20mA	GREEN	565nm TYP.

SCHEMATIC

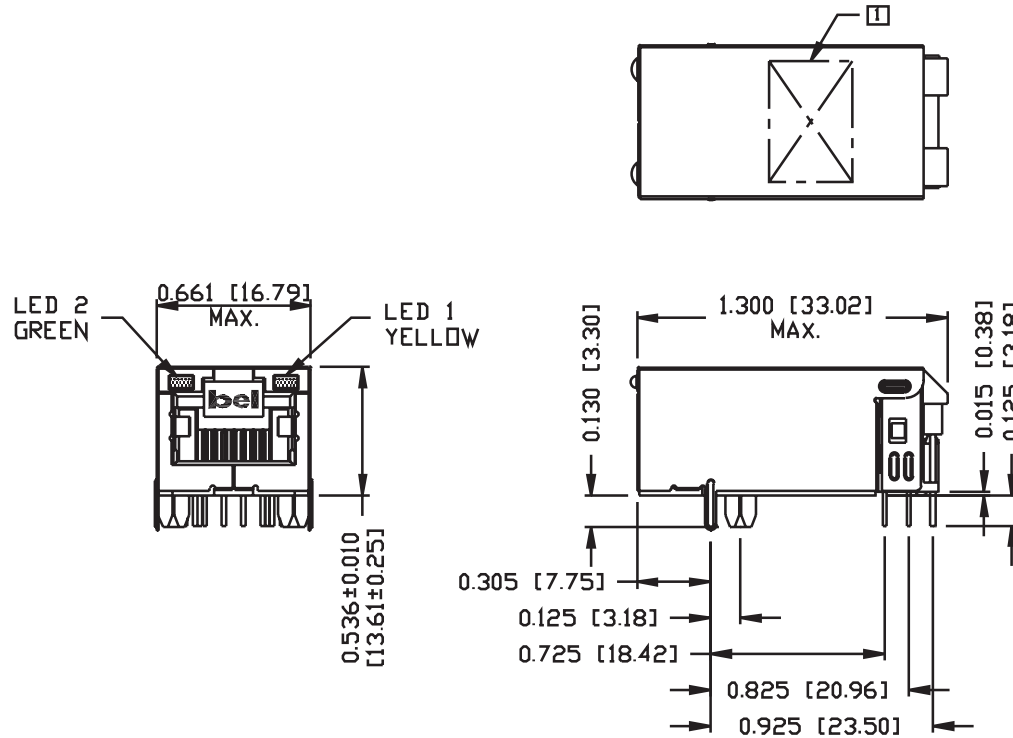


INTEGRATED CONNECTOR MODULES

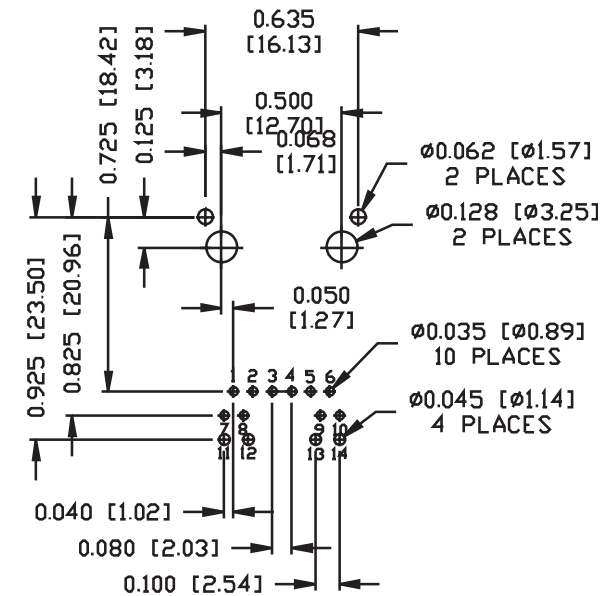
0826-1AX1-47-F 10/100Base-TX Single Port MagJack® with LEDs



MECHANICAL SPECIFICATION



RECOMMENDED PCB FOOTPRINT COMPONENT SIDE VIEW



NOTES:

- PLASTIC HOUSING: THERMOPLASTIC PA 4/6
FLAMMABILITY RATING UL 94V-0
- CONTACTS: 50 MICRO-INCH HARD GOLD PLATING
- OUTPUT PINS: TIN-COATED COPPER WIRE, DIA 0.018 INCH.
- SOLDERABILITY: PER MIL STD. 202, METHOD 208.
- METAL SHIELD: TIN/LEAD PLATED ON COPPER ALLOY.

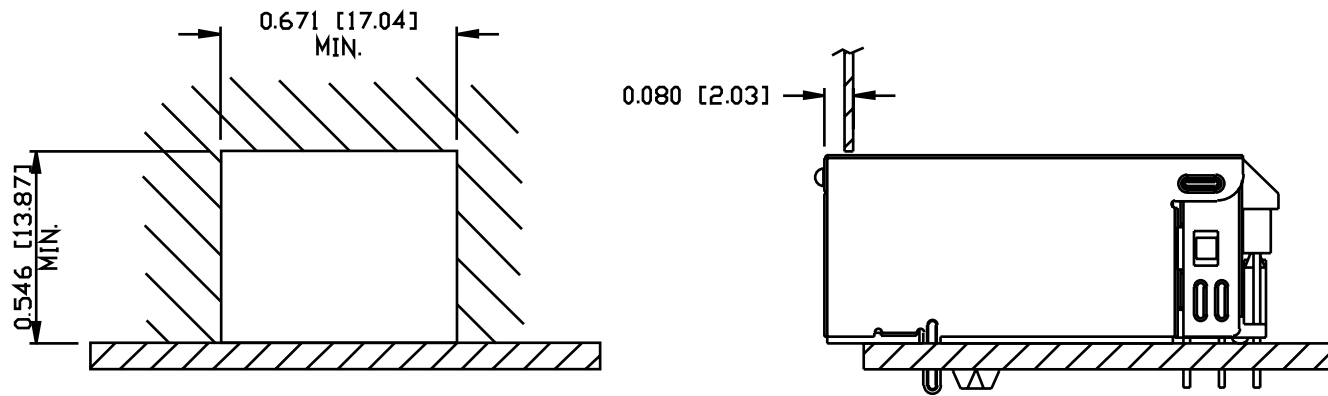
1. MARK PART WITH MFG LOGO, MFG NAME, PART NUMBER, AND DATE CODE.

RoHS COMPLIANCE, PER EU DIRECTIVE 2002/95/EC

INTEGRATED CONNECTOR MODULES
0826-1AX1-47-F 10/100Base-TX Single Port MagJack® with LEDs



SUGGESTED PANEL OPENING



PACKING INFORMATION

PACKING TRAY : 0200-0148-24 (TOP)
 0200-0148-25 (BOTTOM)

PACKING QUANTITY : 40 PCS FINISHED GOODS PER TRAY
 10 TRAY (400 PCS FINISHED GOODS) PER CARTON BOX

NOTE : CARDBOARDS ARE PLACED BETWEEN LAYERS OF PACKING TRAY INSIDE CARTON BOX
 (INCLUDE THE UPPERMOST AND LOWERMOST TRAY)