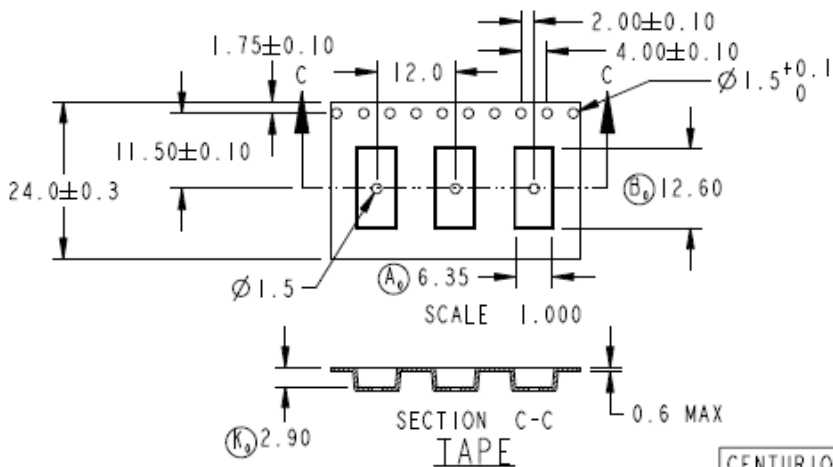
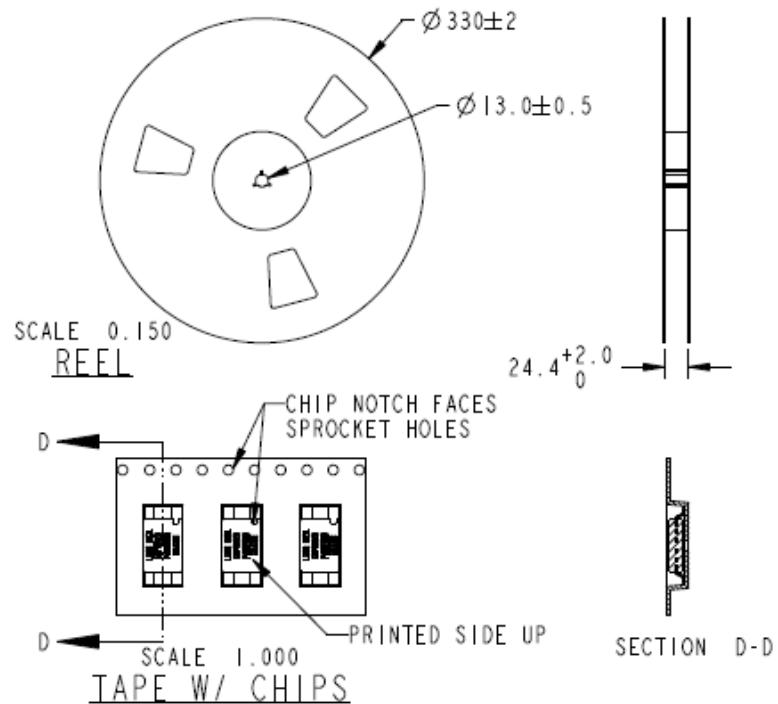


CHIP



SECTION C-C
TAPE



SCALE 0.150
REEL

SCALE 1.000
TAPE W/ CHIPS

CENTURION PART NO.	FREQUENCY RANGE
MAF95029	2.4-2.5 GHz

NOTES:

- EIA-481 STANDARDS APPLY
- TAPE MATERIAL: STATIC DISSIPATIVE STYRENE
- POCKET POSITION RELATIVE TO SPROCKET HOLE MEASURED AS TRUE POSITION OF POSITION OF POCKET, NOT POCKET HOLE
- QTY: 2000 CHIPS PER 330mm REEL

TOLERANCE (UNLESS STATED)	X = ±0.3 XX = ±0.13 ANGULAR = ± 30°	SYM	ECO/DESCRIPTION	DATE	CK	APP	 ANTENNA SBU PENANG, MALAYSIA		DRAWN BY: AL CHAN			
		(B3)	ECO-00379	28/03/08	CHAN	FONG	<small>CONFIDENTIAL THE INFORMATION CONTAINED IN THIS DOCUMENT IS OF PROPRIETARY NATURE. IT MAY NOT BE REPRODUCED OR USED IN ANY MANNER WITHOUT EXPRESS WRITTEN PERMISSION OF LAIRD TECHNOLOGIES, ANTENNA SBU</small>		CHECKED BY: GJ CHIN	DWG. NO. : MAF95029	PG. 1/3	REV B3
<ul style="list-style-type: none"> PRODUCT & PROCESS MUST COMPLY TO LT-GE8 MISSING INFORMATION REFER TO 3D DATA DIMENSIONS ARE IN MILLIMETERS UNLESS STATED OTHERWISE THIS DRAWING WAS GENERATED VIA PRO/ENGINEER PRINT NOT TO SCALE 			<div style="border: 1px solid black; padding: 5px; display: inline-block;"> APPROVED </div>			DESCRIPTION: BLACK CHIP		MATERIAL: SEE NOTES		<small>© 2008 LAIRD TECHNOLOGIES</small>		
				PROJECT NO. CWC0042	DATE: 28/03/08	SCALE: 1.000	UNITS: MM					