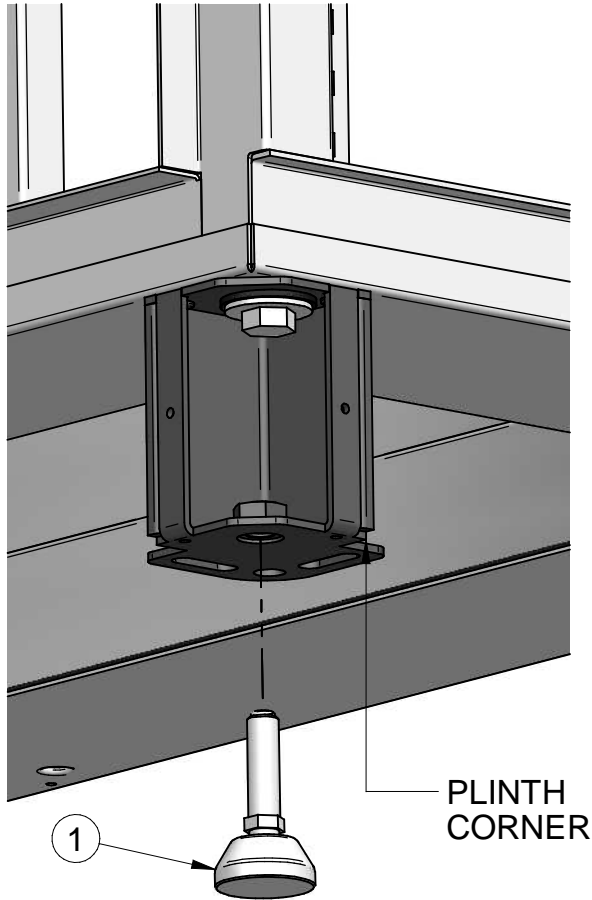


# HLF4 - SERIES

BUL86206

REV. A

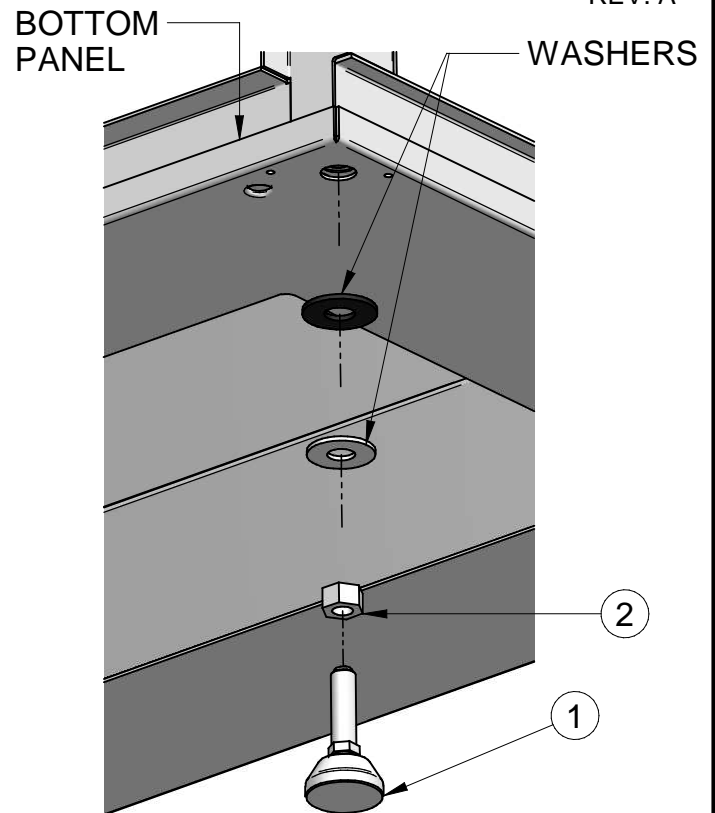
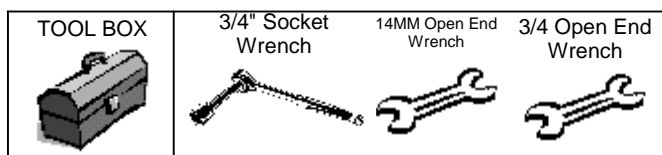
## ASSEMBLY INSTRUCTIONS FOR HLF4 - HME LEVELLING FEET



### INSTRUCTIONS (USING PLINTH):

- A) Raise enclosure with installed plinth corner blocks minimum 4" off the ground.
- B) Install levelling (item 1) feet into plinth corner blocks.
- C) Lower enclosure onto feet and adjust to desired height.

ITEM	DESCRIPTION	QTY
1	Levelling Foot - 1/2-13	4
2	Nut - 1/2-13	4



### INSTRUCTIONS (WITHOUT PLINTH):

- A) Raise enclosure off the ground minimum 4"
- B) Remove bolts and washers one at a time from bottom of enclosure. Make sure to keep the washers.
- C) Install provided nut (item 2) onto levelling foot (item 1) along with washers, leave some threads open on the levelling foot (item 1) to thread into frame.
- D) Install levelling foot (item 1) into frame, repeat for all four corners.
- E) Lower enclosure back onto the ground and adjust feet to make it level.
- F) Tighten the installed nut (item 2) to the bottom panel to hold bottom panel on.

