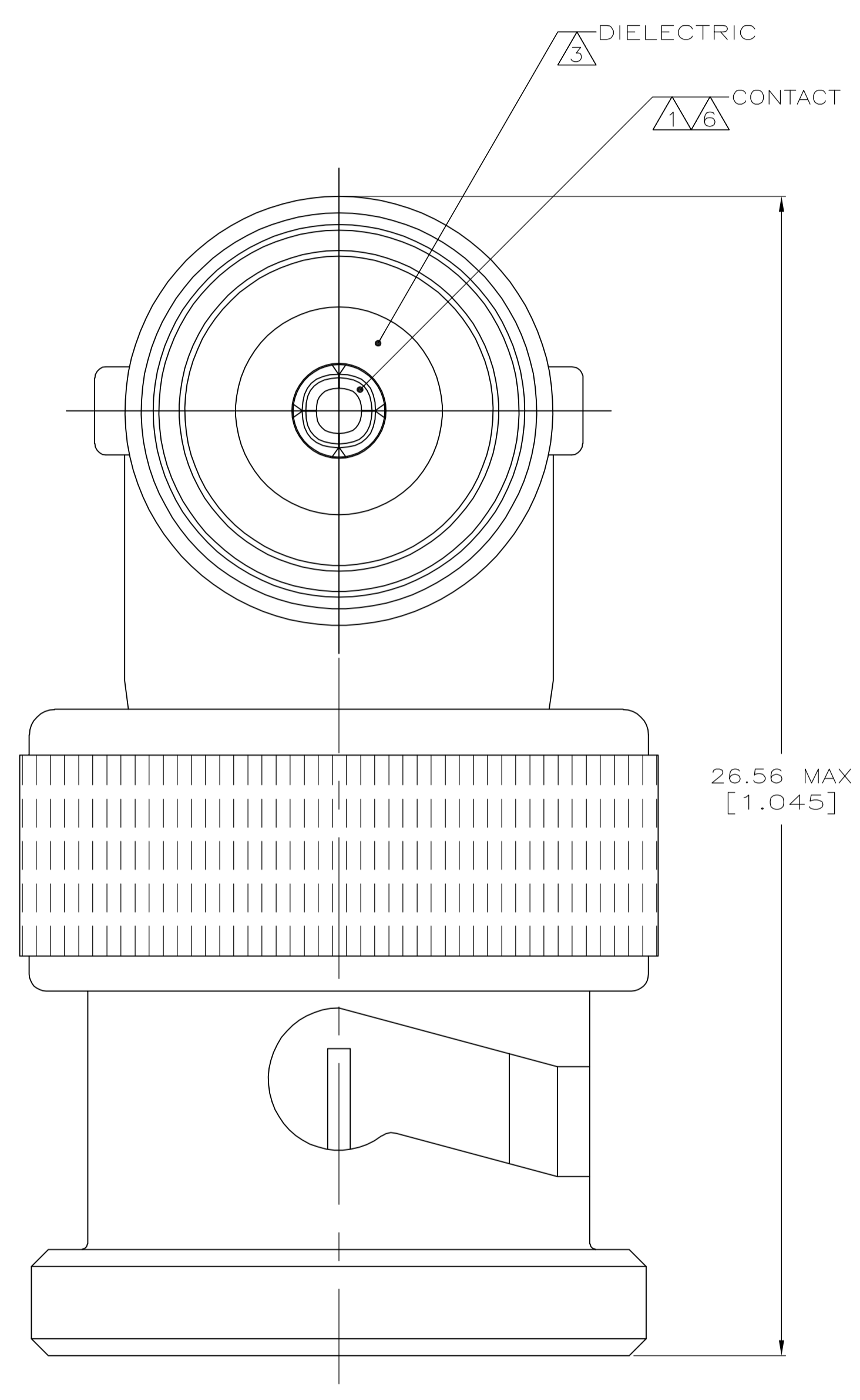
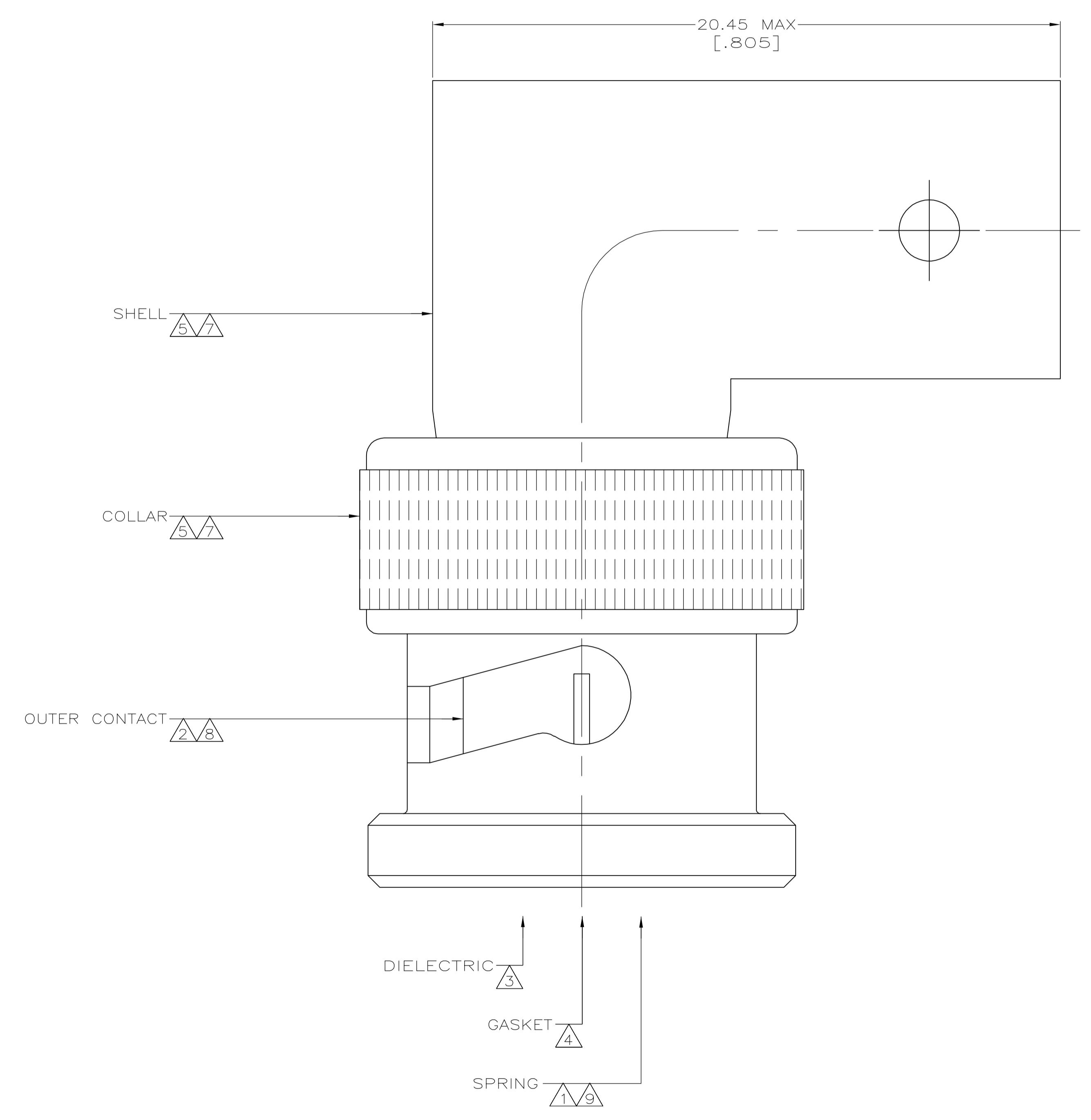


- △ BERYLLIUM COPPER PER ASTM-B-194
- △ BRASS PER ASTM-B-16
- △ PTFE PER MIL-P-19468
- △ SILICONE RUBBER PER ZZ-R-765
- △ ZINC DIE CAST PER ASTM-B-86
- △ GOLD PLATE PER MIL-G-45204,
0.76 μm [.000030] MIN THICKNESS
- △ NICKEL PLATE PER QQ-N-290,
1.27 μm [.000050] MIN THICKNESS
- △ NICKEL PLATE PER QQ-N-290,
2.54 μm [.000100] MIN THICKNESS
- △ TIN PLATE PER ASTM-B-545,
2.54 μm [.000100] MIN THICK.



SUPERCEDED BY	9-222165-0
OBSOLETE	9-222165-0
	222165-2
OBSOLETE	222165-1

PART NUMBER

THIS DRAWING IS A CONTROLLED DOCUMENT.		DWN MICHAEL E. COWHER 17AUG95	Tyco Electronics Corporation Harrisburg, PA 17105-3608	
DIMENSIONS: mm [INCHES]		CHK MICHAEL J. PHILLIPS 17AUG95	NAME MICHAEL J. PHILLIPS	
TOLERANCES UNLESS OTHERWISE SPECIFIED:		PRODUCT SPEC		
0 PLC ± -		APPLICATION SPEC		
1 PLC ± -		SIZE A1		
2 PLC ± -		CAGE CODE 00779		
3 PLC ± -		DRAWING NO 222165		
4 PLC ± -		RESTRICTED TO		
ANGLES ± -		WEIGHT		
MATERIAL SEE NOTES		CUSTOMER DRAWING		
FINISH SEE NOTES		SCALE 10:1 SHEET 1 OF 1 REV K1		