

Subminiature Fuse, 6.4 mm, Quick-Acting F, 125 VAC, 125 VDC



UL 248-14 · 125 VAC · 125 VDC · Quick-Acting F



Description

- Directly solderable on printed circuit boards

Standards

- UL 248-14
- CSA C22.2 no. 248.14
- Telcordia GR-1089
- UL 60950 / IEC 60950
- ITU-T K.20 and K.21
- TIA-968-A

Approvals

- UL File Number: E41599
- CSA File Number: 51172

References


[Packaging Details](#)

Corresponding Fuseholder [FME](#); [FMR](#); [FMS \(125V\)](#)

Weblinks

[pdf-datasheet](#), [html-datasheet](#), [General Product Information](#), [Approvals](#), [CE declaration of conformity](#), [RoHS](#), [CHINA-RoHS](#), [REACH](#), [Distributor Stock-Check](#), [Detailed request for product](#)

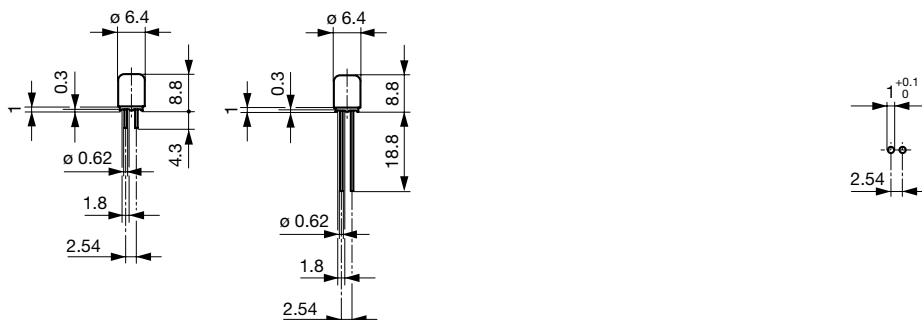
Technical Data

Rated Voltage	125 VAC, 125 VDC
Rated current	0.1 - 5 A
Breaking Capacity	100 A
Characteristic	Quick-Acting F
Mounting	PCB, THT
Admissible Ambient Air Temp.	-25 °C to 85 °C
Climatic Category	25/085/21 acc. to IEC 60068-1
Material: Housing	Thermoplastic, UL 94V-0
Material: Terminals	Tin-Plated Copper
Unit Weight	0.34 g
Storage Conditions	0 °C to 40 °C, max. 70% r.h.
Product Marking	 Type, Rated current, Rated Voltage, Characteristic, Approvals

Soldering Methods	Wave, Iron Soldering Profile
Solderability	235 °C / 2 sec acc. to IEC 60068-2-20, Test Ta
Resistance to Soldering Heat	260 °C / 10 sec acc. to IEC 60068-2-20, Test Tb
Life Test	1000h @ 0.60 x In @ 70°C (acc. to EIA/IS-722, Test 4.4.1)
Terminal Strength	Tensile load min. 9 N (acc. to EIA/IS-722, Test 4.5.1)
Case Resistance	acc. to EIA/IS-722, Test 4.7 >100 MΩ (between leads and body)
Mechanical Shock	(acc. to EIA/IS-722, Test 4.9)
Vibration, High Frequency	Shock 20 gn, 20 min, 10-2 kHz, 12 cyc. (acc. to EIA/IS-722, Test 4.10)
Resistance to Solvents	MIL-STD-202, Method 215A
Flammability	UL 94V-0 (acc. to EIA/IS-722, Test 4.12)

Dimension

6.4 mm



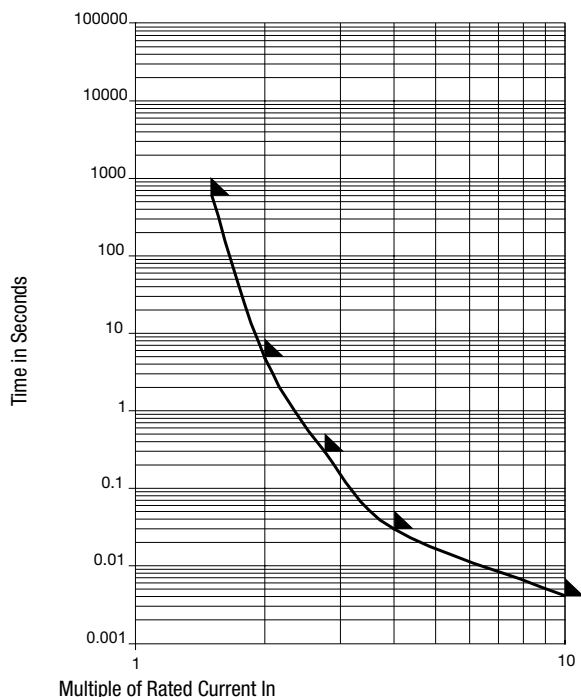
Drilling diagram

Pre-Arcing Time


Rated Current I_n 1.5 x I_n max. 2.0 x I_n max. 2.75 x I_n max. 4.0 x I_n max. 10.0 x I_n max.


0.1 A - 5 A	10 min	5 s	300 ms	30 ms	4 ms
-------------	--------	-----	--------	-------	------

Time-Current-Curves



All Variants

Rated Current [A]	Rated Voltage [VAC]	Rated Voltage [VDC]	Breaking Capacity	Voltage Drop 1.0 I_n max. [mV]	Voltage Drop 1.0 I_n typ. [mV]	Power Dissipation 1.0 I_n max. [mW]	Melting I^2t 10.0 I_n Intyp. [A ² s]		S	L	T	Order Number
0.1	125	125	1)	1000	690	100	0.0007	●	●			0034.4209
0.125	125	125	1)	1000	960	100	0.0015	●	●			0034.4210
0.16	125	125	1)	1000	850	100	0.0036	●	●			0034.4211
0.2	125	125	1)	700	680	100	0.0033	●	●			0034.4212
0.25	125	125	1)	700	620	100	0.0055	●	●			0034.4213
0.315	125	125	1)	700	680	200	0.025	●	●			0034.4214
0.4	125	125	1)	400	180	100	0.013	●	●			0034.4215
0.5	125	125	1)	400	180	100	0.02	●	●			0034.4216
0.63	125	125	1)	400	180	100	0.045	●	●			0034.4217
0.71	125	125	1)	400	140	100	0.045	●	●			0034.4218
0.75	125	125	1)	400	170	100	0.02	●	●			0034.4219
0.8	125	125	1)	400	150	100	0.04	●	●			0034.4220
1	125	125	1)	400	150	100	0.07	●	●			0034.4221
1.25	125	125	1)	190	150	200	0.12	●	●			0034.4222
1.6	125	125	1)	190	150	200	0.29	●	●			0034.4223
2	125	125	1)	190	130	200	0.43	●	●			0034.4224
2.5	125	125	1)	190	120	300	0.6	●	●			0034.4225
3.15	125	125	1)	190	120	400	1.1	●	●			0034.4226
4	125	125	1)	190	120	500	1.9	●	●			0034.4227
5	125	125	1)	190	120	600	3	●	●			0034.4228
0.1	125	125	1)	1000	690	100	0.0007	●		●		0034.4239
0.125	125	125	1)	1000	960	100	0.0015	●		●		0034.4240

Rated Current [A]	Rated Voltage [VAC]	Rated Voltage [VDC]	Breaking Capacity	Voltage Drop 1.0 In max. [mV]	Voltage Drop 1.0 In typ. [mV]	Power Dissipation 1.0 I _n max. [mW]	Melting I ² t 10.0 Intyp. [A ² s]		S	L	T	Order Number
0.16	125	125	1)	1000	850	100	0.0036	●	●		0034.4241	
0.2	125	125	1)	700	680	100	0.0033	●	●		0034.4242	
0.25	125	125	1)	700	620	100	0.0055	●	●		0034.4243	
0.315	125	125	1)	700	680	200	0.025	●	●		0034.4244	
0.4	125	125	1)	400	180	100	0.013	●	●		0034.4245	
0.5	125	125	1)	400	180	100	0.02	●	●		0034.4246	
0.63	125	125	1)	400	180	100	0.045	●	●		0034.4247	
0.71	125	125	1)	400	140	100	0.045	●	●		0034.4248	
0.75	125	125	1)	400	170	100	0.02	●	●		0034.4249	
0.8	125	125	1)	400	150	100	0.04	●	●		0034.4250	
1	125	125	1)	400	150	100	0.07	●	●		0034.4251	
1.25	125	125	1)	190	150	200	0.12	●	●		0034.4252	
1.6	125	125	1)	190	150	200	0.29	●	●		0034.4253	
2	125	125	1)	190	130	200	0.43	●	●		0034.4254	
2.5	125	125	1)	190	120	300	0.6	●	●		0034.4255	
3.15	125	125	1)	190	120	400	1.1	●	●		0034.4256	
4	125	125	1)	190	120	500	1.9	●	●		0034.4257	
5	125	125	1)	190	120	600	3	●	●		0034.4258	
0.1	125	125	1)	1000	690	100	0.0007	●		●	0034.4539	
0.125	125	125	1)	1000	960	100	0.0015	●		●	0034.4540	
0.16	125	125	1)	1000	850	100	0.0036	●		●	0034.4541	
0.2	125	125	1)	700	680	100	0.0033	●		●	0034.4542	
0.25	125	125	1)	700	620	100	0.0055	●		●	0034.4543	
0.315	125	125	1)	700	680	200	0.025	●		●	0034.4544	
0.4	125	125	1)	400	180	100	0.013	●		●	0034.4545	
0.5	125	125	1)	400	180	100	0.02	●		●	0034.4546	
0.63	125	125	1)	400	180	100	0.045	●		●	0034.4547	
0.71	125	125	1)	400	140	100	0.045	●		●	0034.4548	
0.75	125	125	1)	400	170	100	0.02	●		●	0034.4549	
0.8	125	125	1)	400	150	100	0.04	●		●	0034.4550	
1	125	125	1)	400	150	100	0.07	●		●	0034.4551	
1.25	125	125	1)	190	150	200	0.12	●		●	0034.4552	
1.6	125	125	1)	190	150	200	0.29	●		●	0034.4553	
2	125	125	1)	190	130	200	0.43	●		●	0034.4554	
2.5	125	125	1)	190	120	300	0.6	●		●	0034.4555	
3.15	125	125	1)	190	120	400	1.1	●		●	0034.4556	
4	125	125	1)	190	120	500	1.9	●		●	0034.4557	
5	125	125	1)	190	120	600	3	●		●	0034.4558	

Most Popular.

Availability for all products can be searched real-time: <http://www.schurter.com/Stock-Check/Stock-Check-SCHURTER>

1) 100 A @ 125 VAC/DC

Packaging Unit S = Plastic Bag (100 pcs.)
 L = Bulk (100 pcs.)
 T = Taped 36 cm Reel (1000 pcs.)