

Evaluating the **AD8003** Triple, 1.5 GHz Op Amp

FEATURES

- Enables quick breadboarding/prototyping**
- User-defined circuit configuration**
- Edge-mounted SMA connector provisions**
- Easy connection to test equipment and other circuits**

GENERAL DESCRIPTION

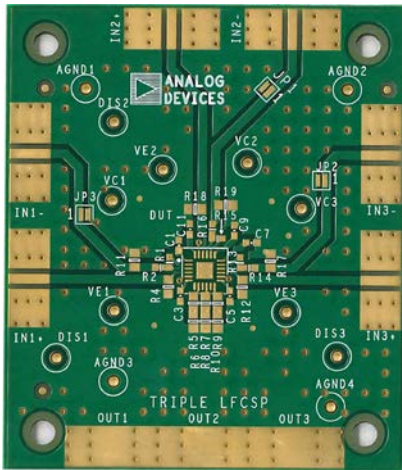
The **AD8003** evaluation board is specifically designed to evaluate the **AD8003**, a triple high speed, current feedback amplifier. The evaluation board is a bare board (that is, there are no components soldered to the board) that enables users to quickly prototype a variety of amplifier circuits, which minimizes risk and reduces time to market.

Figure 1 and Figure 2 show component side and circuit side of the bare evaluation board. Figure 3 shows the evaluation board schematic.

The evaluation board is a 4-layer printed circuit board (PCB) that accepts edge-mounted Subminiature A (SMA) connectors on the inputs and outputs, which allows efficient connection to test equipment and other circuits. The ground plane, component placement, and supply bypassing have been optimized for performance and circuit flexibility. The evaluation board uses a variety of surface-mount technology (SMT) component case sizes: 0402, 0603, and 3528.

Figure 4 and Figure 6 show the component side and circuit side of the evaluation board assembly drawing. The recommended layout pattern for connecting the board to the op amp and to the supporting circuitry is shown in Figure 5 and Figure 7.

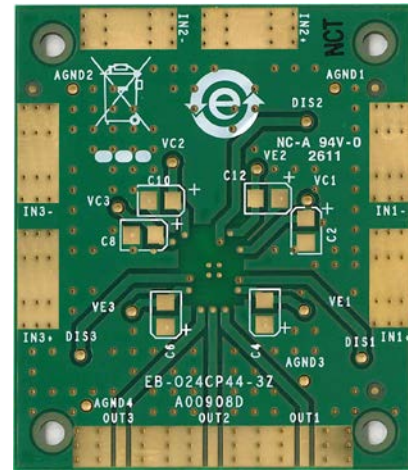
DIGITAL PICTURES OF THE COMPONENT SIDE AND CIRCUIT SIDE OF THE EVALUATION BOARD



NOTES
1. THE EVALUATION BOARD SILKSCREEN PART NUMBER LABELING ON YOUR BOARD MAY BE DIFFERENT FROM WHAT IS SHOWN HERE.

08145-008

Figure 1. Component Side of the **AD8003** Evaluation Board



NOTES
1. THE EVALUATION BOARD SILKSCREEN PART NUMBER LABELING ON YOUR BOARD MAY BE DIFFERENT FROM WHAT IS SHOWN HERE.

08145-008

Figure 2. Circuit Side of the **AD8003** Evaluation Board

TABLE OF CONTENTS

Features 1
General Description 1
Digital Pictures of the Component Side and Circuit Side of the
Evaluation Board 1
Revision History 2

Evaluation Board Schematic3
Assembly Drawing and Board Layout4
Ordering Information5
 Bill of Materials.....5

REVISION HISTORY

9/12—Rev. A to Rev. B

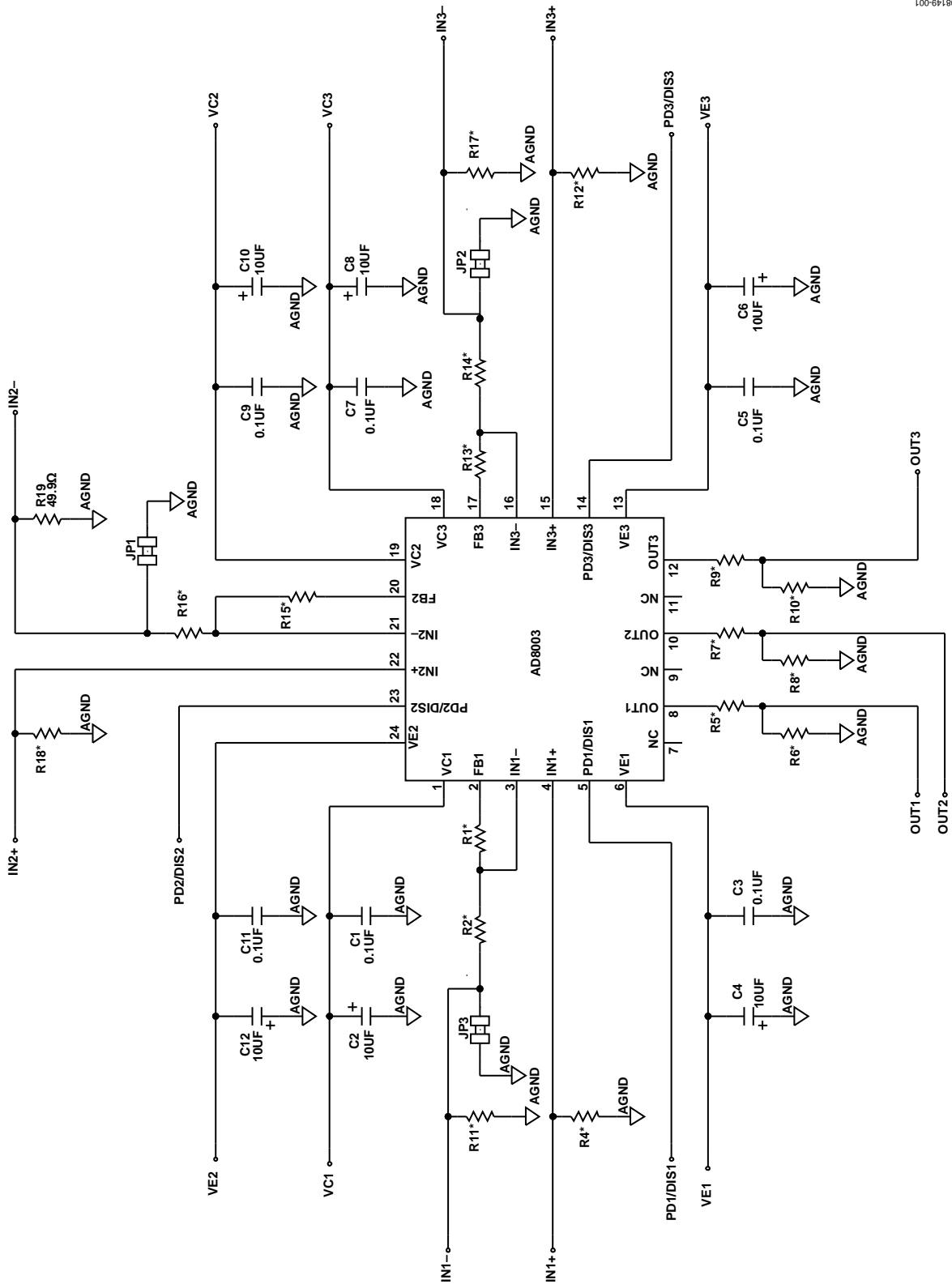
Changes to User Guide Title, General Description Section, and
Figure 1 1
Changes to Figure 2 Caption..... 3
Changes to Figure 4 to Figure 7 4
Added Ordering Information Section, Bill of Materials, and
Table 1 5

2/10—Rev. 0 to Rev. A

Changes to General Description and Figure 1 1

7/09—Revision 0: Initial Version

EVALUATION BOARD SCHEMATIC



100-6180

Figure 3. Evaluation Board Schematic

*USER-DEFINED VALUE

ASSEMBLY DRAWING AND BOARD LAYOUT

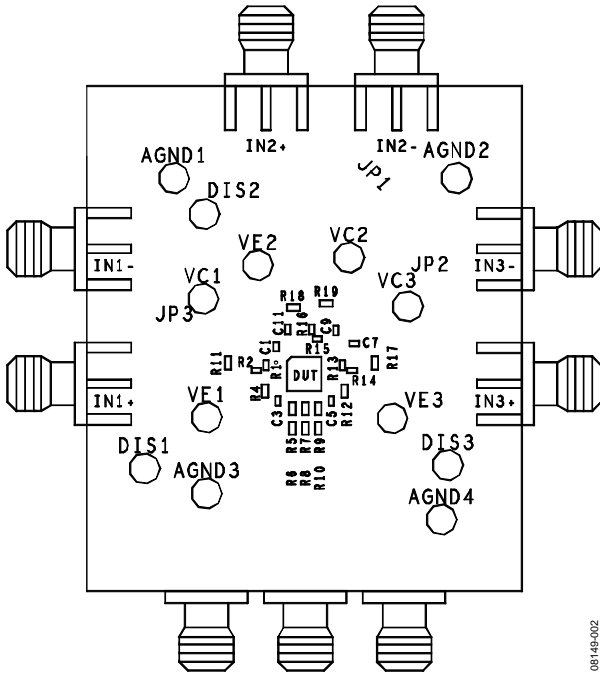


Figure 4. Board Assembly Drawing, Component Side

08149-002

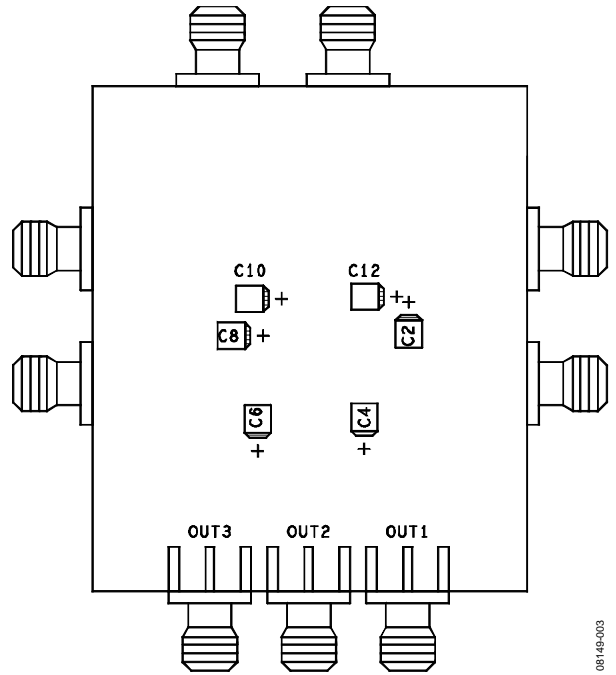


Figure 6. Board Assembly Drawing, Circuit Side

08149-003

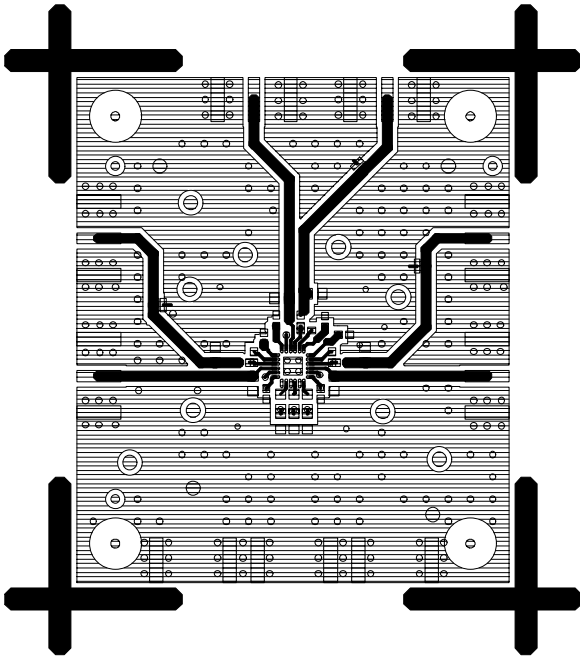


Figure 5. Board Layout Pattern, Component Side

08149-004

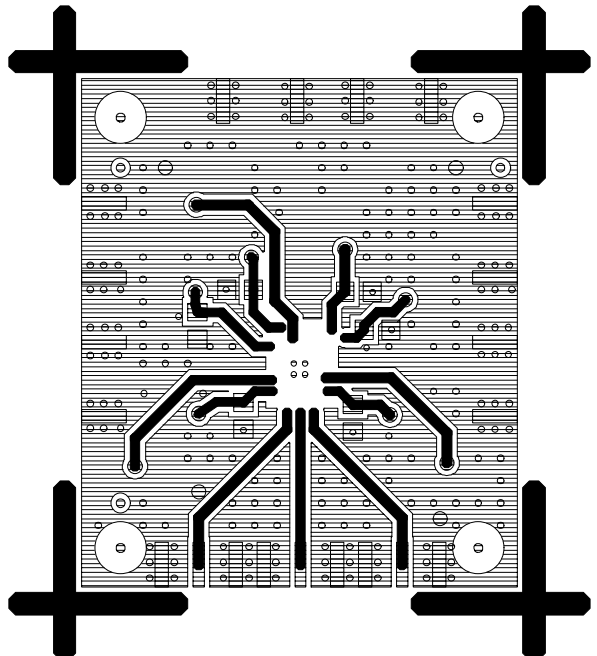


Figure 7. Board Layout Pattern, Circuit Side

08149-005

ORDERING INFORMATION**BILL OF MATERIALS**

Table 1.

Quantity	Reference Designator	Description	Package
1	PCB	Printed circuit board	
13	VC1 to VC3, VE1 to VE3, PD1/DIS1 to PD3/DIS3, AGND1 to AGND4	CONN-PCB pin vector	CNLOOPTP_D45
6	C1, C3, C5, C7, C9, C11	0.1 μ F capacitors	0402
6	C2, C4, C6, C8, C10, C12	10 μ F capacitors	3528
1	DUT	AD8003	QFN24_4X4_PAD2_1X2_1
9	IN1+ to IN3+, -IN1 to -IN3, OUT1 to OUT3	SMA connector	CNJOHNSON142-0701-801
6	R1, R2, R13 to R16	User defined value	0402
3	R6, R8, R10	User defined value	0603
6	R4, R11, R12, R17 to R19	User defined value	0603
3	R5, R7, R9	User defined value	0603

NOTES

NOTES

NOTES

**ESD Caution**

ESD (electrostatic discharge) sensitive device. Charged devices and circuit boards can discharge without detection. Although this product features patented or proprietary protection circuitry, damage may occur on devices subjected to high energy ESD. Therefore, proper ESD precautions should be taken to avoid performance degradation or loss of functionality.

Legal Terms and Conditions

By using the evaluation board discussed herein (together with any tools, components documentation or support materials, the "Evaluation Board"), you are agreeing to be bound by the terms and conditions set forth below ("Agreement") unless you have purchased the Evaluation Board, in which case the Analog Devices Standard Terms and Conditions of Sale shall govern. Do not use the Evaluation Board until you have read and agreed to the Agreement. Your use of the Evaluation Board shall signify your acceptance of the Agreement. This Agreement is made by and between you ("Customer") and Analog Devices, Inc. ("ADI"), with its principal place of business at One Technology Way, Norwood, MA 02062, USA. Subject to the terms and conditions of the Agreement, ADI hereby grants to Customer a free, limited, personal, temporary, non-exclusive, non-sublicensable, non-transferable license to use the Evaluation Board FOR EVALUATION PURPOSES ONLY. Customer understands and agrees that the Evaluation Board is provided for the sole and exclusive purpose referenced above, and agrees not to use the Evaluation Board for any other purpose. Furthermore, the license granted is expressly made subject to the following additional limitations: Customer shall not (i) rent, lease, display, sell, transfer, assign, sublicense, or distribute the Evaluation Board; and (ii) permit any Third Party to access the Evaluation Board. As used herein, the term "Third Party" includes any entity other than ADI, Customer, their employees, affiliates and in-house consultants. The Evaluation Board is NOT sold to Customer; all rights not expressly granted herein, including ownership of the Evaluation Board, are reserved by ADI. CONFIDENTIALITY. This Agreement and the Evaluation Board shall all be considered the confidential and proprietary information of ADI. Customer may not disclose or transfer any portion of the Evaluation Board to any other party for any reason. Upon discontinuation of use of the Evaluation Board or termination of this Agreement, Customer agrees to promptly return the Evaluation Board to ADI. ADDITIONAL RESTRICTIONS. Customer may not disassemble, decompile or reverse engineer chips on the Evaluation Board. Customer shall inform ADI of any occurred damages or any modifications or alterations it makes to the Evaluation Board, including but not limited to soldering or any other activity that affects the material content of the Evaluation Board. Modifications to the Evaluation Board must comply with applicable law, including but not limited to the RoHS Directive. TERMINATION. ADI may terminate this Agreement at any time upon giving written notice to Customer. Customer agrees to return to ADI the Evaluation Board at that time. LIMITATION OF LIABILITY. THE EVALUATION BOARD PROVIDED HEREUNDER IS PROVIDED "AS IS" AND ADI MAKES NO WARRANTIES OR REPRESENTATIONS OF ANY KIND WITH RESPECT TO IT. ADI SPECIFICALLY DISCLAIMS ANY REPRESENTATIONS, ENDORSEMENTS, GUARANTEES, OR WARRANTIES, EXPRESS OR IMPLIED, RELATED TO THE EVALUATION BOARD INCLUDING, BUT NOT LIMITED TO, THE IMPLIED WARRANTY OF MERCHANTABILITY, TITLE, FITNESS FOR A PARTICULAR PURPOSE OR NON-INFRINGEMENT OF INTELLECTUAL PROPERTY RIGHTS. IN NO EVENT WILL ADI AND ITS LICENSORS BE LIABLE FOR ANY INCIDENTAL, SPECIAL, INDIRECT, OR CONSEQUENTIAL DAMAGES RESULTING FROM CUSTOMER'S POSSESSION OR USE OF THE EVALUATION BOARD, INCLUDING BUT NOT LIMITED TO LOST PROFITS, DELAY COSTS, LABOR COSTS OR LOSS OF GOODWILL. ADI'S TOTAL LIABILITY FROM ANY AND ALL CAUSES SHALL BE LIMITED TO THE AMOUNT OF ONE HUNDRED US DOLLARS (\$100.00). EXPORT. Customer agrees that it will not directly or indirectly export the Evaluation Board to another country, and that it will comply with all applicable United States federal laws and regulations relating to exports. GOVERNING LAW. This Agreement shall be governed by and construed in accordance with the substantive laws of the Commonwealth of Massachusetts (excluding conflict of law rules). Any legal action regarding this Agreement will be heard in the state or federal courts having jurisdiction in Suffolk County, Massachusetts, and Customer hereby submits to the personal jurisdiction and venue of such courts. The United Nations Convention on Contracts for the International Sale of Goods shall not apply to this Agreement and is expressly disclaimed.