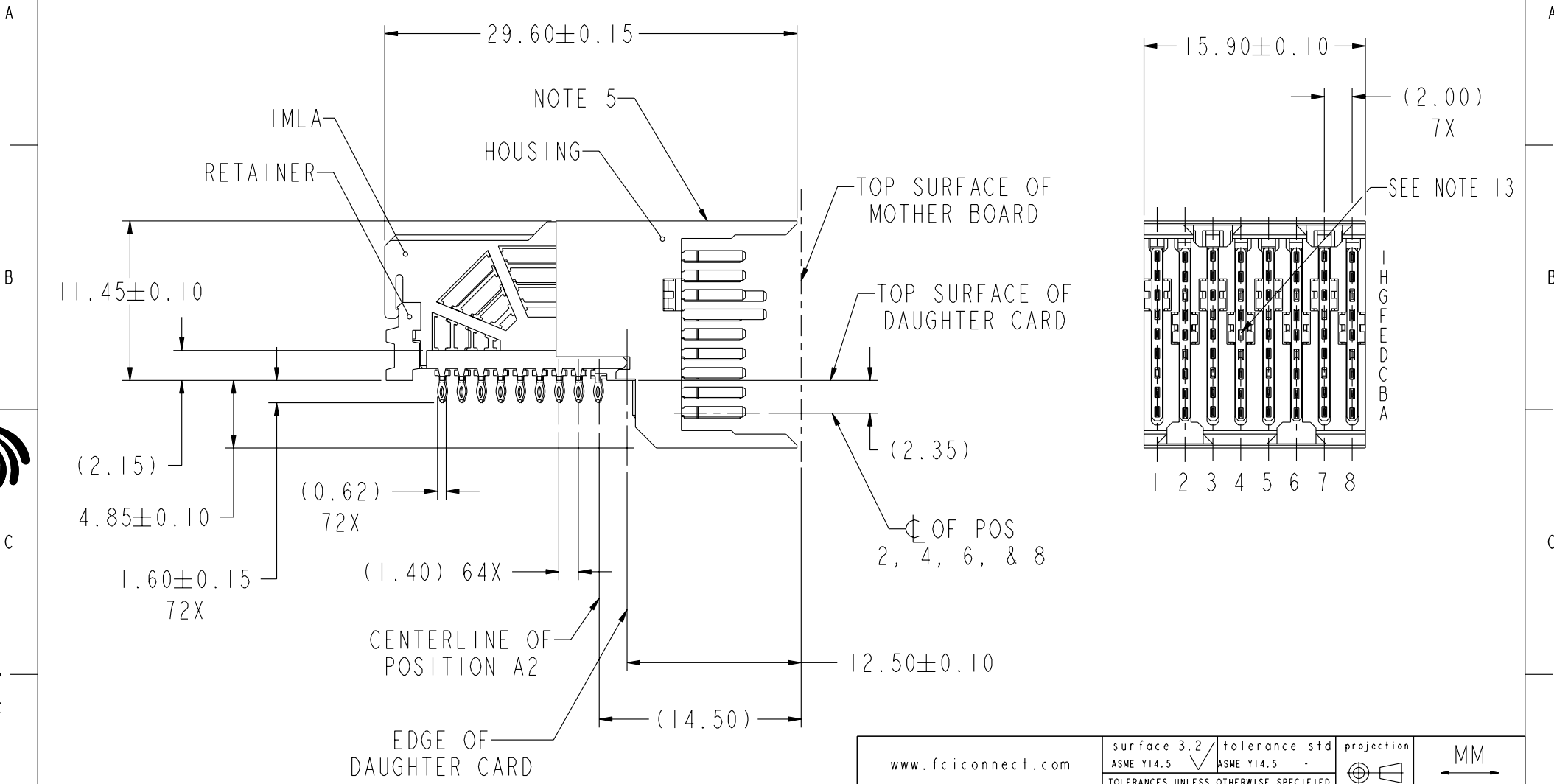


PRODUCT NUMBER  
SEE TABLE, SHEET 5



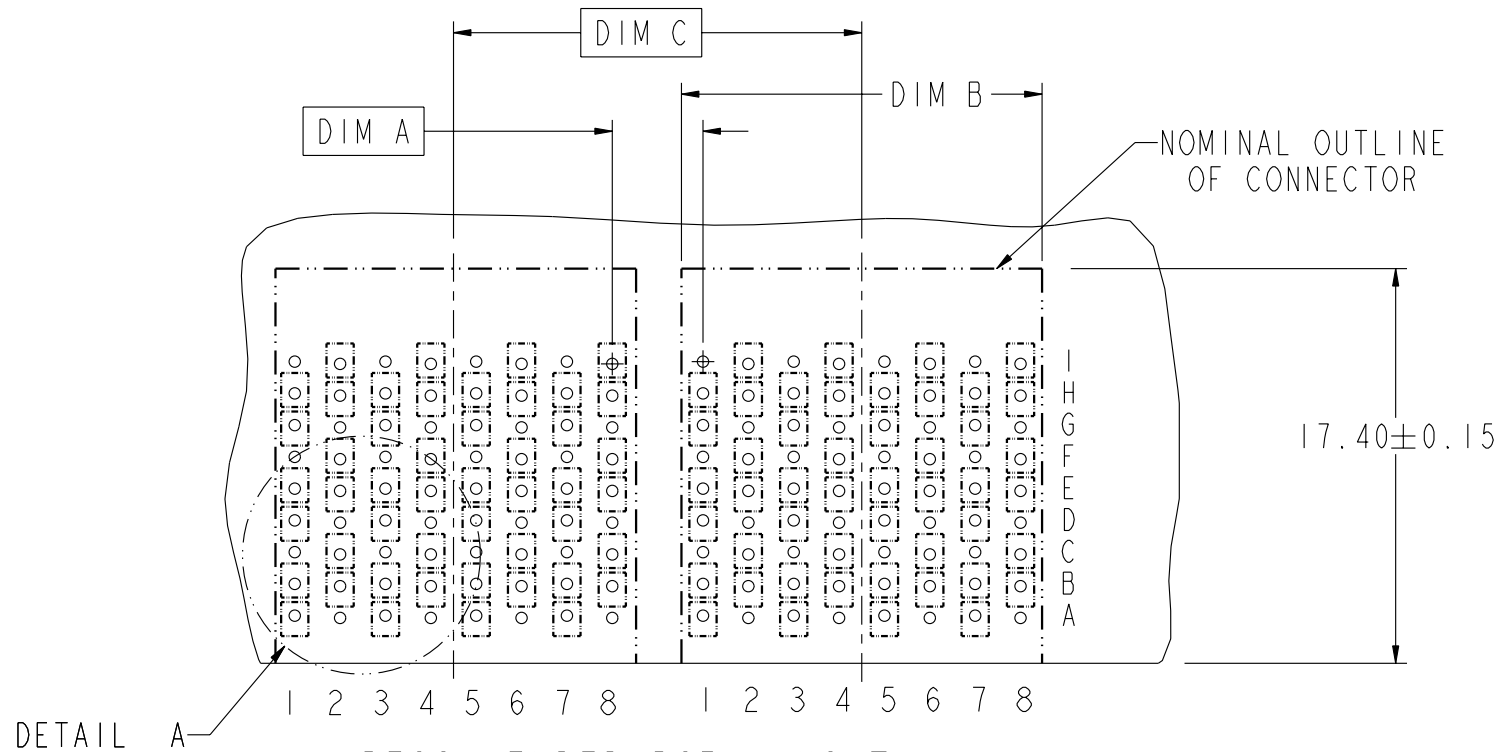
Copyright FCI.

rev	ecn no	dr	date
A	V05-0461	LRJ	2006-02-24
B	V06-0209	LRJ	2006-03-01
C	V06-0531	SCS	2006-06-07
D	S06-0374	DG	2006-12-21
-	-	-	-
-	-	-	-
-	-	-	-

www.fciconnect.com		surface 3.2 ASME Y14.5	tolerance std ASME Y14.5	projection MM
TOLERANCES UNLESS OTHERWISE SPECIFIED		ANGULAR	LINEAR	size A4
Dr	D. BUSH	2004-10-01	0.X	±
Eng	S. MINICH	2004-10-01	0.XX	±
Chr	C. H. TAN	2006-12-21	0.XXX	±
Appr	JOEY NG	2006-12-21	Product family AirMax VS Spec ref	
FCI		AirMax VS R/A HEADER ASSY		dwg no 10045266
		PRESS-FIT, 72 POS, 16MM		Rev. D
catalog no		CUSTOMER		sheet 1 of 5

REV F - 2006-04-17

DESCRIPTION	DIM A	DIM B	DIM C
2-16MM MODULES PLACED END-TO-END	2.00	15.90 2X	16.00
1-16MM MODULE & 1-18MM MODULE PLACED END-TO-END	3.00	15.90 1X & 17.90 1X	17.00

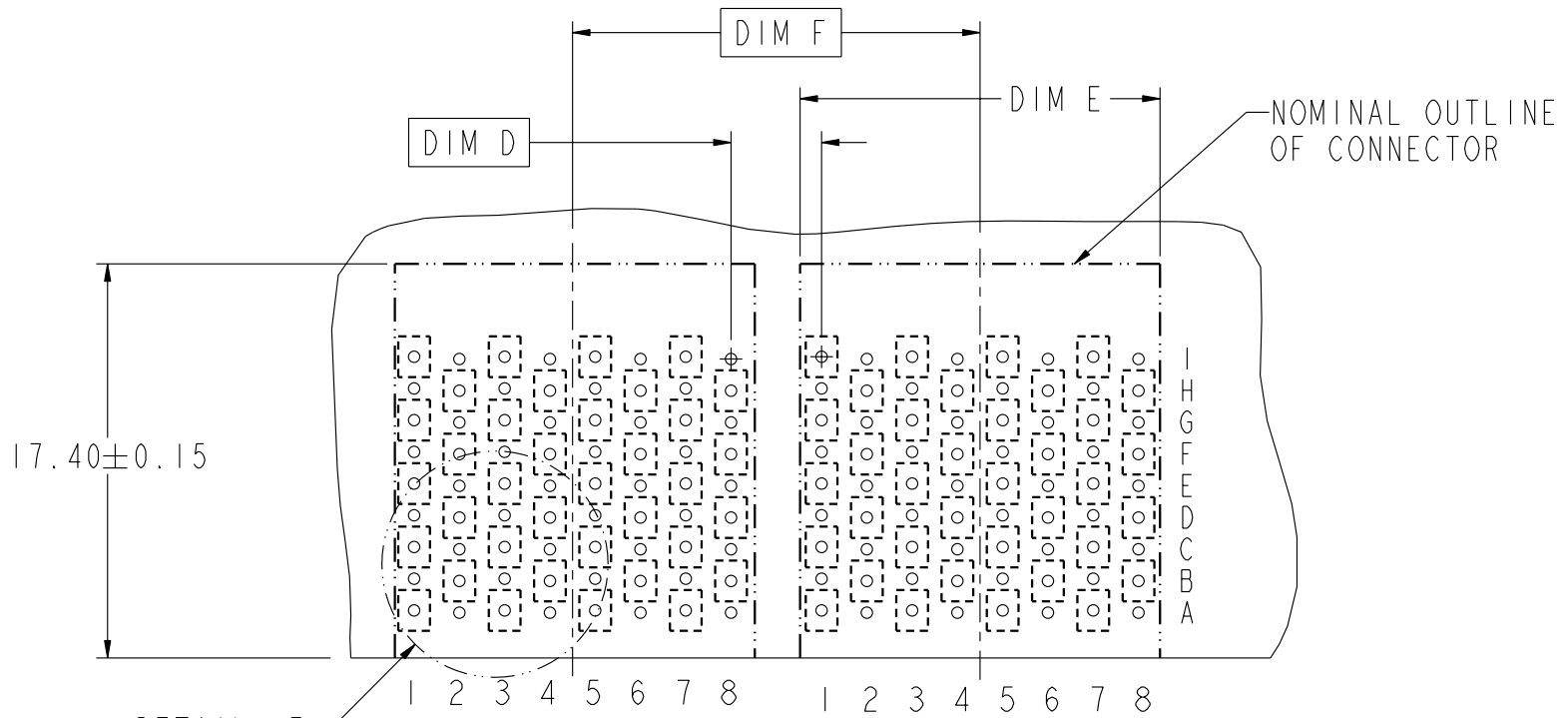


RECOMMENDED PCB LAYOUT  
FOR DIFFERENTIAL APPLICATIONS  
COMPONENT SIDE  
(TWO ADJACENT FOOTPRINTS SHOWN)  
NOTES 6 & 7

	title AirMax VS R/A HEADER ASSY PRESS-FIT, 72 POS, 16MM	dwg no 10045266	Rev. D
	catalog no -	CUSTOMER	sheet 2 of 5



DESCRIPTION	DIM D	DIM E	DIM F
2-16MM MODULES PLACED END-TO-END	2.00	15.90 2X	16.00
1-16MM MODULE & 1-18MM MODULE PLACED END-TO-END	3.00	15.90 1X & 17.90 1X	17.00



RECOMMENDED PCB LAYOUT  
FOR SINGLE ENDED APPLICATIONS  
COMPONENT SIDE  
(TWO ADJACENT FOOTPRINTS SHOWN)  
NOTES 6 & 7

	title AirMax VS R/A HEADER ASSY PRESS-FIT, 72 POS, 16MM	dwg no 10045266	Rev. D
	catalog no -	CUSTOMER	sheet 3 of 5
	PDM: Rev:D STATUS:Released 4 Printed: Dec 01, 2010		

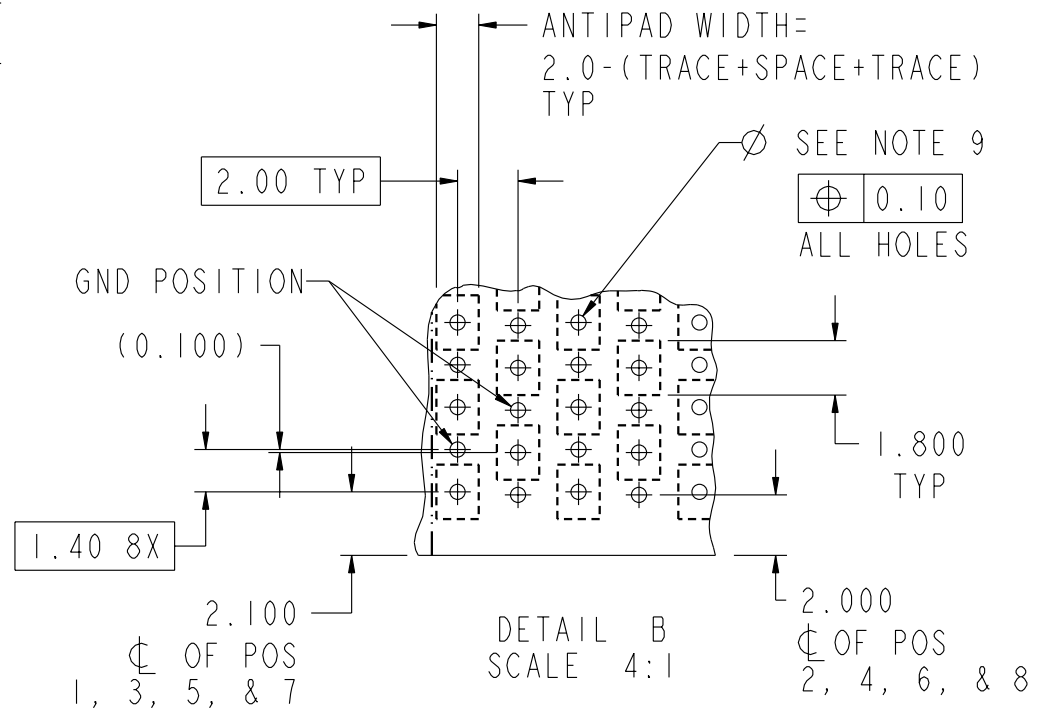
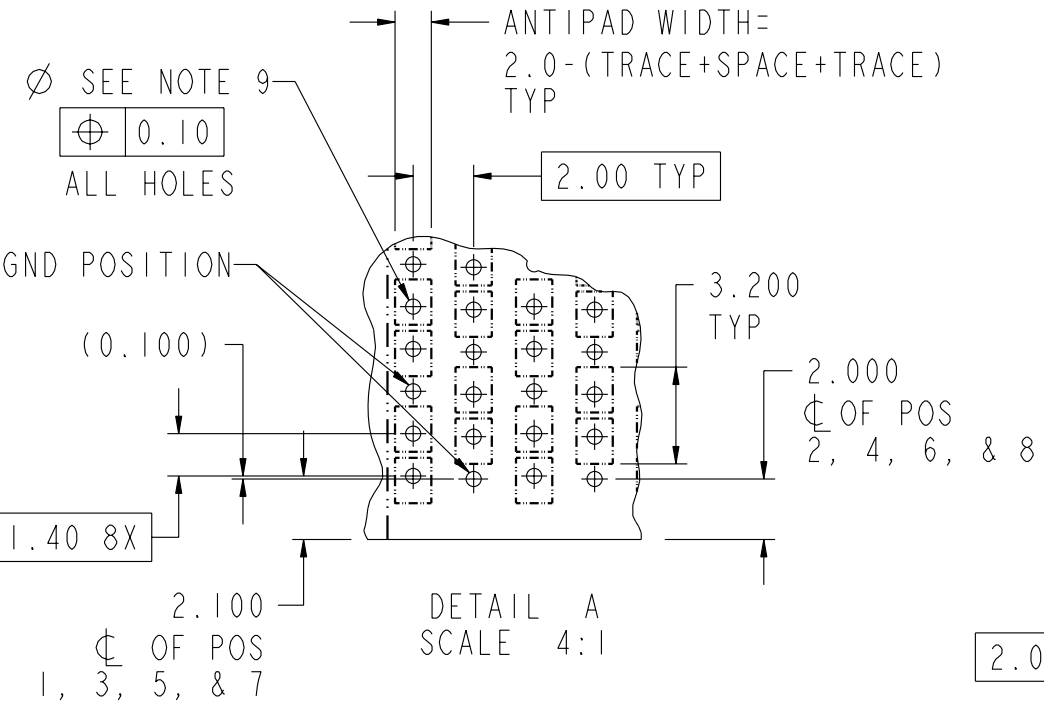


Copyright FCI.



Copyright FCI.

A  
B  
C  
D



REV F - 2006-04-17



title  
AirMax VS R/A HEADER ASSY  
PRESS-FIT, 72 POS, 16MM  
catalog no

dwg no  
10045266  
CUSTOMER  
sheet 4 of 5

Rev.  
D

PART NUMBER	PRESS-FIT TAIL PLATING TYPE	SHORT DETECT CONTACT
10045266-101	TIN/LEAD ALLOY OVER NICKEL	NO
10045266-101LF	TIN OVER NICKEL (LEAD FREE)	
10045266-111	TIN/LEAD ALLOY OVER NICKEL	YES (SEE NOTE 13)
10045266-111LF	TIN OVER NICKEL (LEAD FREE)	

NOTES:

1. CONNECTOR MATERIALS:  
HOUSING & RETAINER: HIGH TEMP THERMOPLASTIC, NATURAL, UL94V-0  
IMLA PLASTIC: HIGH TEMP THERMOPLASTIC, BLACK, UL94V-0  
CONTACT: COPPER ALLOY

2. CONTACT PLATING:  
SEPARABLE INTERFACE:  
PERFORMANCE-BASED PLATING, QUALIFIED TO MEET THE REQUIREMENTS OF FCI PRODUCT SPECIFICATION GS-12-239 INCLUDING TELCORDIA GR-1217-CORE (NOVEMBER 1995) CENTRAL OFFICE TEST SEQUENCE

PRESS-FIT TAILS: SEE TABLE

3. PRODUCT SPECIFICATION: GS-12-239

4. APPLICATION SPECIFICATION: GS-20-035

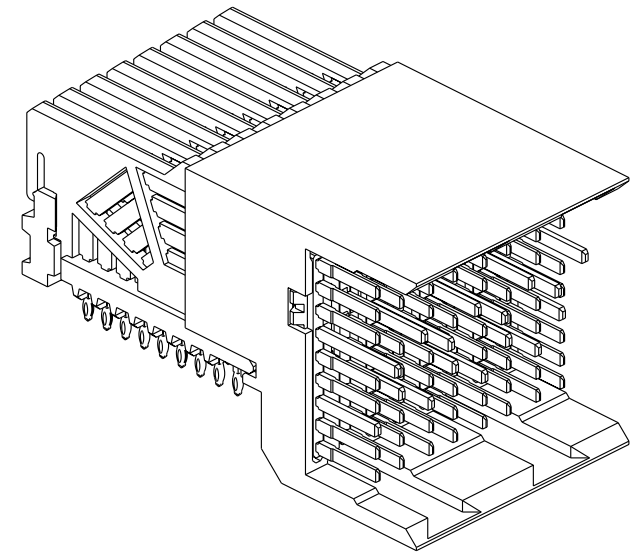
5. PRODUCT MARKING, (PART NUMBER & LOT CODE), ON THIS SURFACE

6. REFER TO CUSTOMER DRAWING 10035911 FOR INFORMATION REGARDING PCB LAYOUT OF POWER AND GUIDE MODULES RELATIVE TO SIGNAL MODULES

7. POSITIONS F OF ODD NUMBERED COLUMNS AND POSITIONS G OF EVEN NUMBERED COLUMNS CORRESPOND TO EARLY MATE HEADER PINS

8. THERE IS NO GROUND BUSSING WITHIN THE CONNECTOR SYSTEM

9. REFER TO CUSTOMER DRAWING 10045979 FOR INFORMATION ON PCB HOLE DIAMETERS AND PLATING OPTIONS.



10. LEAD FREE PRODUCT MEETS EUROPEAN UNION DIRECTIVES AND OTHER COUNTRY REGULATIONS AS DESCRIBED IN GS-22-008.

11. THE HOUSING WILL WITHSTAND EXPOSURE TO 260°C PEAK TEMPERATURE FOR 40 SECONDS IN A CONVECTION, INFRA-RED OR VAPOR PHASE REFLOW OVEN.

12. PACKAGING MEETS GS-14-920 LEAD FREE LABELING SPECIFICATION.

13. MATING PIN E4 HAS 0.5mm LESS NOMINAL WIPE THAN THE SHORTEST SIGNAL PIN.



Copyright FCI.



<b>FCI</b> <small>FCI</small>	<small>title</small> AirMax VS R/A HEADER ASSY PRESS-FIT, 72 POS, 16MM	<small>dwg no</small> 10045266	<small>Rev.</small> D
	<small>catalog no</small> -	<small>CUSTOMER</small>	<small>sheet 5 of 5</small>