



Features

- Maximum height of 6.7 mm
- Current up to 8 A
- RoHS compliant*

Applications

- Input/output of DC/DC converters
- Power supplies for:
 - Portable communication equipment
 - Camcorders
 - LCD TVs
 - Car radios

SRU1063 Series - Shielded SMD Power Inductors

Electrical Specifications

| Bourns Part Number | Inductance @ 100 KHz | | Q Ref. | Test Freq. (MHz) | SRF Typ. (MHz) | RDC Max. (mΩ) | I rms Max. (A) | I sat Typ. (A) | **K-Factor |
|--------------------|----------------------|----------|--------|------------------|----------------|---------------|----------------|----------------|------------|
| | L (μH) | Tol. (%) | | | | | | | |
| SRU1063-1R6Y | 1.6 | ±30 | 13 | 7.96 | 65 | 9 | 8.00 | 10.00 | 133 |
| SRU1063-2R2Y | 2.2 | ±30 | 10 | 7.96 | 65 | 11 | 7.50 | 8.50 | 95 |
| SRU1063-4R7Y | 4.7 | ±30 | 11 | 7.96 | 30 | 14 | 5.50 | 5.70 | 68 |
| SRU1063-100Y | 10 | ±30 | 14 | 2.52 | 18 | 38 | 3.80 | 4.00 | 49 |
| SRU1063-150Y | 15 | ±30 | 12 | 2.52 | 14 | 42 | 3.20 | 3.40 | 41 |
| SRU1063-220Y | 22 | ±30 | 15 | 2.52 | 10 | 60 | 3.00 | 3.20 | 33 |
| SRU1063-330Y | 33 | ±30 | 12 | 2.52 | 8 | 105 | 2.20 | 2.40 | 26 |
| SRU1063-470Y | 47 | ±30 | 10 | 2.52 | 6 | 150 | 1.40 | 1.60 | 22 |
| SRU1063-680Y | 68 | ±30 | 8 | 2.52 | 5 | 210 | 1.20 | 1.35 | 20 |
| SRU1063-101Y | 100 | ±30 | 12 | 2.52 | 4 | 320 | 1.10 | 1.20 | 15 |

**K-Factor: To calculate core flux density, $Bp-p$ (gauss) = $K \times L(\mu H) \times \Delta I$ (peak-to-peak ripple current, A), determine core loss from *Core Loss vs. Flux Density* plot.

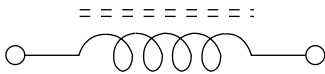
General Specifications

Test Voltage.....0.1 V
 Reflow Soldering 230 °C, 50 sec. max.
 Operating Temp..... -40 °C to +125 °C
 (Temperature rise included)
 Storage Temperature .. -40 °C to +125 °C
 Resistance to Soldering Heat
+260 °C for 10 sec.

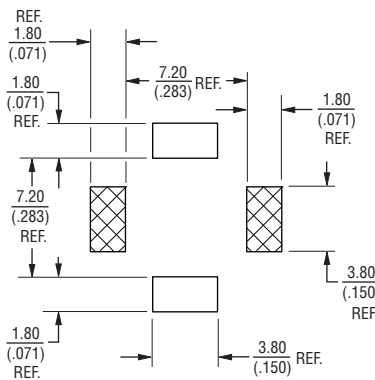
Materials

Core.....Ferrite DR and RI core
 Wire.....Enameled copper
 Terminal.....Ag/Ni/Sn
 Rated Current
Ind. drop 35 % typ. at Isat
 Temperature Rise
40 °C max. at rated I rms
 Packaging 500 pcs. per reel

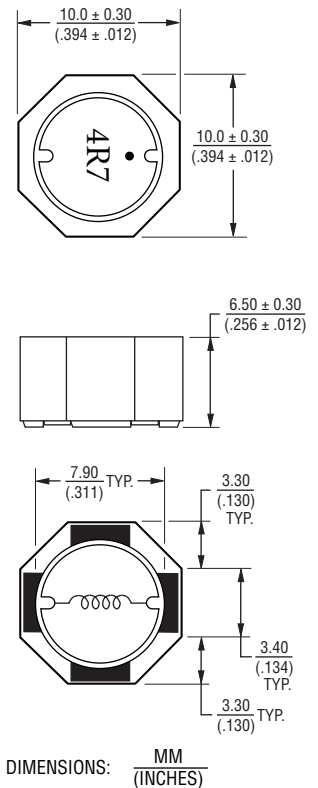
Electrical Schematic



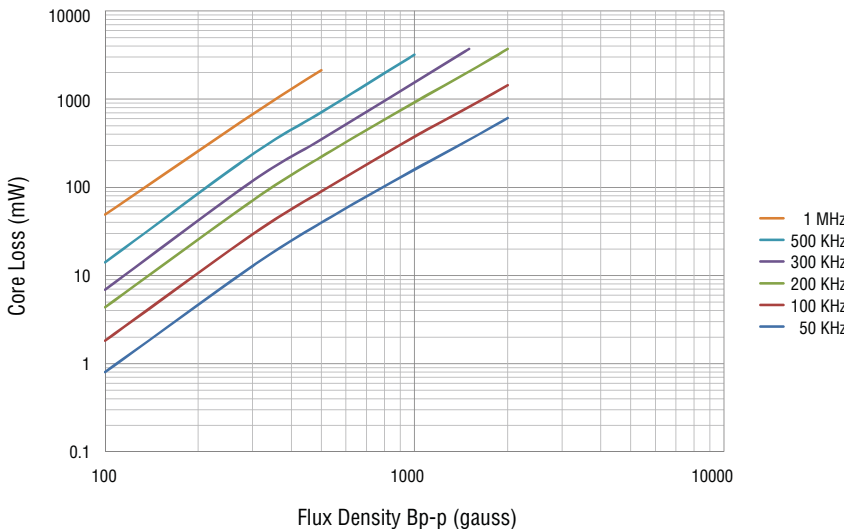
Recommended Layout



Product Dimensions



Core Loss vs. Flux Density

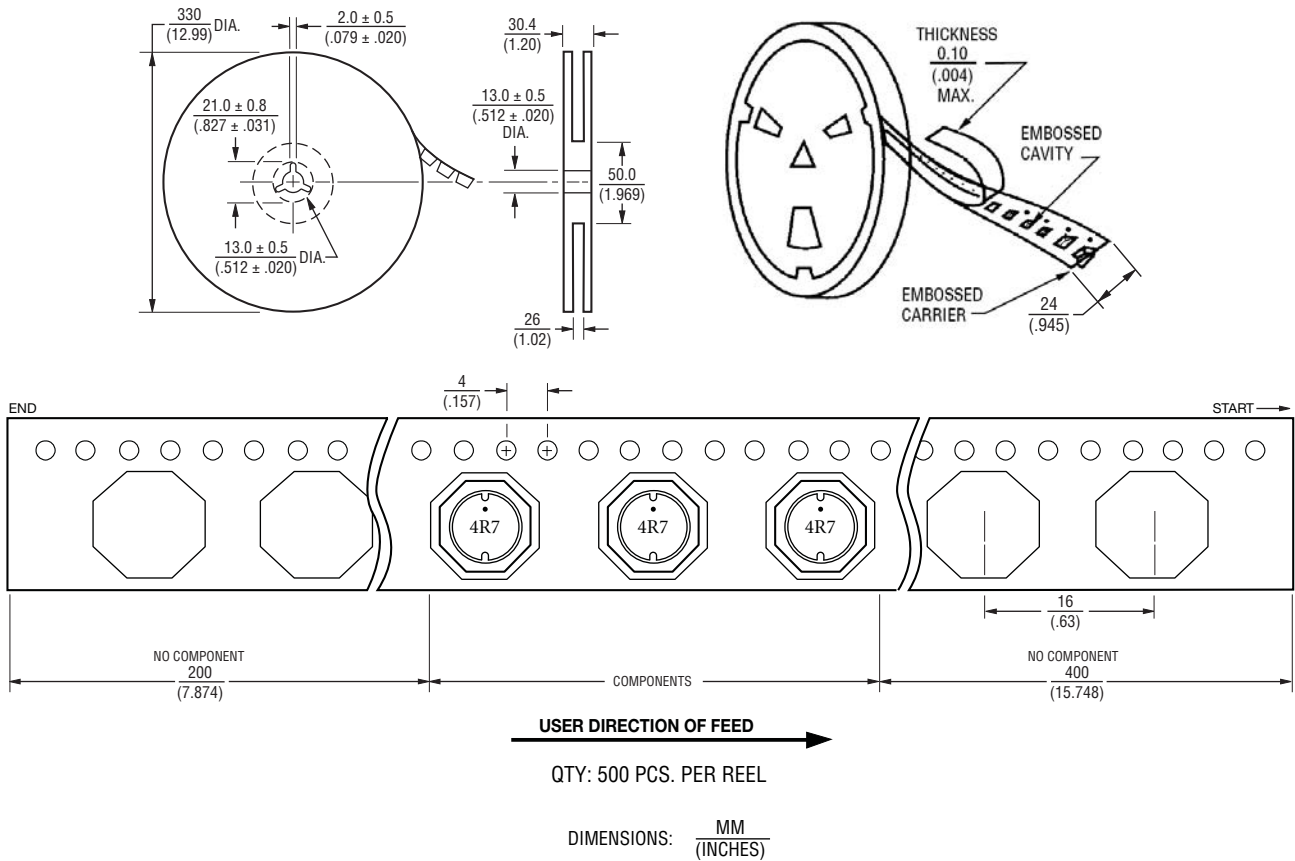


* RoHS Directive 2002/95/EC Jan. 27, 2003 including annex and RoHS Recast 2011/65/EU June 8, 2011. Specifications are subject to change without notice. The device characteristics and parameters in this data sheet can and do vary in different applications and actual device performance may vary over time. Users should verify actual device performance in their specific applications.

SRU1063 Series - Shielded SMD Power Inductors

BOURNS®

Packaging Specifications



REV. 11/13

Specifications are subject to change without notice.
The device characteristics and parameters in this data sheet can and do vary in different applications and actual device performance may vary over time.
Users should verify actual device performance in their specific applications.