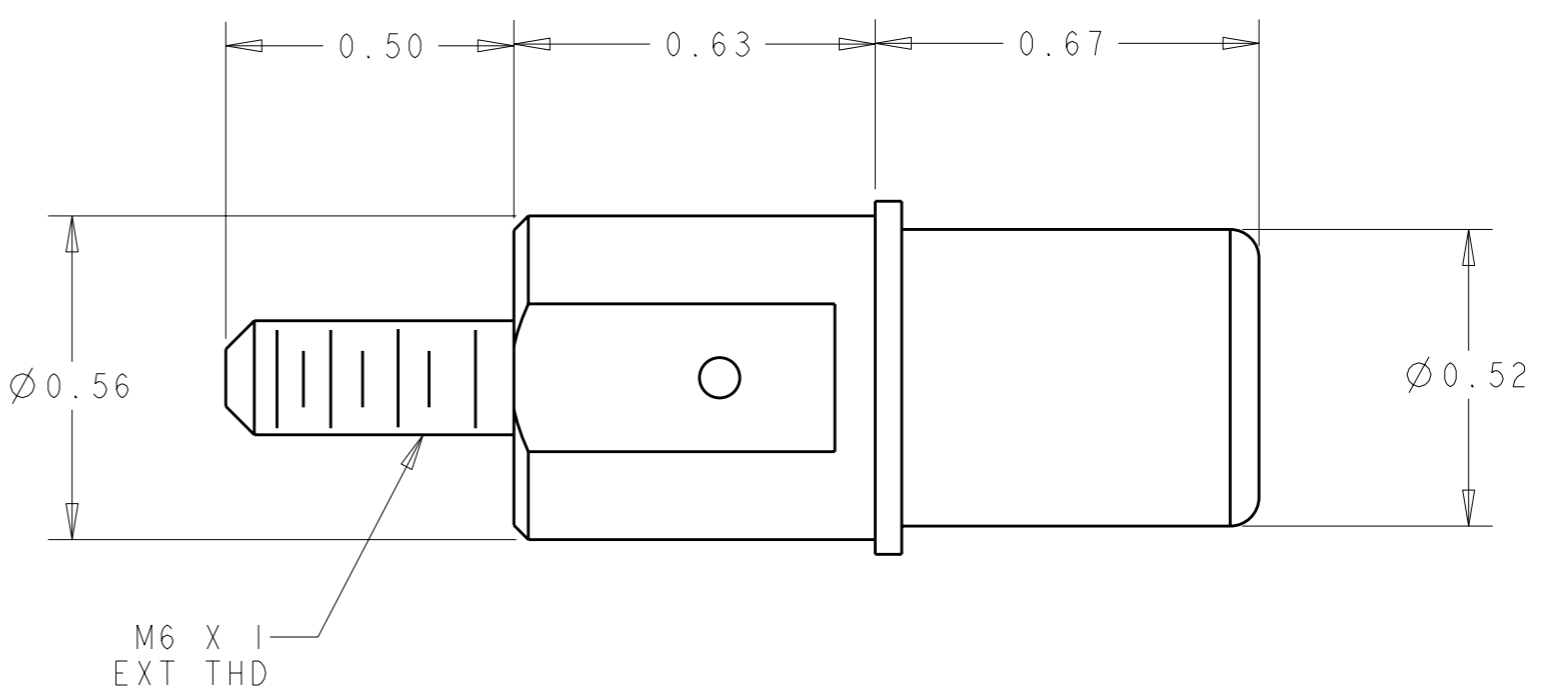
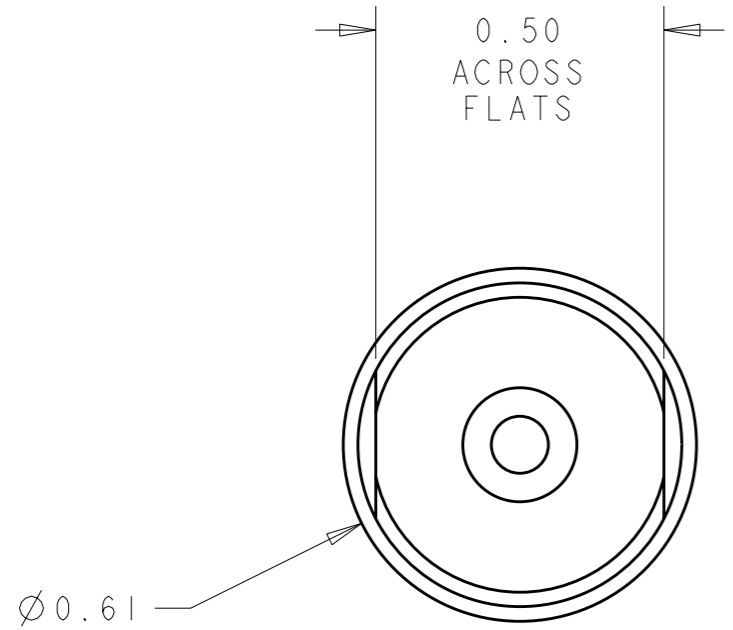


THIS DRAWING IS UNPUBLISHED. RELEASED FOR PUBLICATION 20
 © COPYRIGHT 20 BY TYCO ELECTRONICS CORPORATION. ALL RIGHTS RESERVED.

LOC	DIST	REVISIONS			
P	LTR	DESCRIPTION	DATE	DWN	APVD
-	-	A	NEW RELEASE	22OCT2008	CR DO



1. PART NUMBER CHANGES AND/OR DESIGN CHANGES AFFECTING INTERCHANGEABILITY REQUIRE PRIOR TYCO ELECTRONICS APPROVAL AND AUTHORIZATION BY REVISION TO THIS DRAWING

2. ITEMS PROVIDED TO THIS SPECIFICATION TO BE PERMANENTLY IDENTIFIED PER THE FOLLOWING IDENTIFIER LABEL

TYCO ELECTRONICS P/N: XXXXXXXX-X
 DATE CODE (e.g. 0106): YEAR WEEK

3 MATERIALS:
 CONTACTS: COPPER ALLOY
 CROWN BAND: COPPER ALLOY

4 FINISHES:
 CONTACTS: SILVER PLATE: .000200/.000300 THK OVER
 NICKEL PLATE: .000050 MIN THK
 CROWN BAND: GOLD: .000040 MIN THK OVER
 NICKEL PLATE: .000040 THK

THIS DRAWING IS A CONTROLLED DOCUMENT FOR TYCO ELECTRONICS CORPORATION. IT IS SUBJECT TO CHANGE AND THE CONTROLLING ENGINEERING ORGANIZATION SHOULD BE CONTACTED FOR THE LATEST REVISION.

DIMENSIONS: INCHES	TOLERANCES UNLESS OTHERWISE SPECIFIED: 0 PLC ±- 1 PLC ±- 2 PLC ±.01 3 PLC ±.005 4 PLC ±- ANGLES ±.5
MATERIAL	FINISH

DWN	22OCT2008
CHK	C. ROHLER
APVD	D. ORRIS
APVD	M. PERCHERKE
PRODUCT SPEC	-
APPLICATION SPEC	-
WEIGHT	-
CUSTOMER DRAWING	

AS SHOWN	6648430-1
DESCRIPTION	PART NO.
Tyco Electronics Harrisburg, PA 17105-3608	
NAME: CONTACT, SOCKET, SIZE #0 M6 X 1 EXT THD, SINGLE CROWN DRAWER	
SIZE	CAGE CODE
A3	00779
DRAWING NO	RESTRICTED TO
C-6648430	-
SCALE	SHEET OF REV
3:1	1 OF 1 A