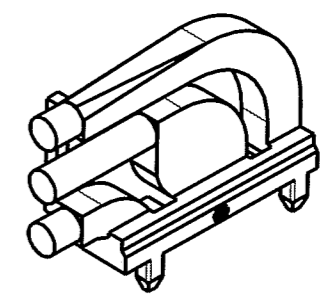
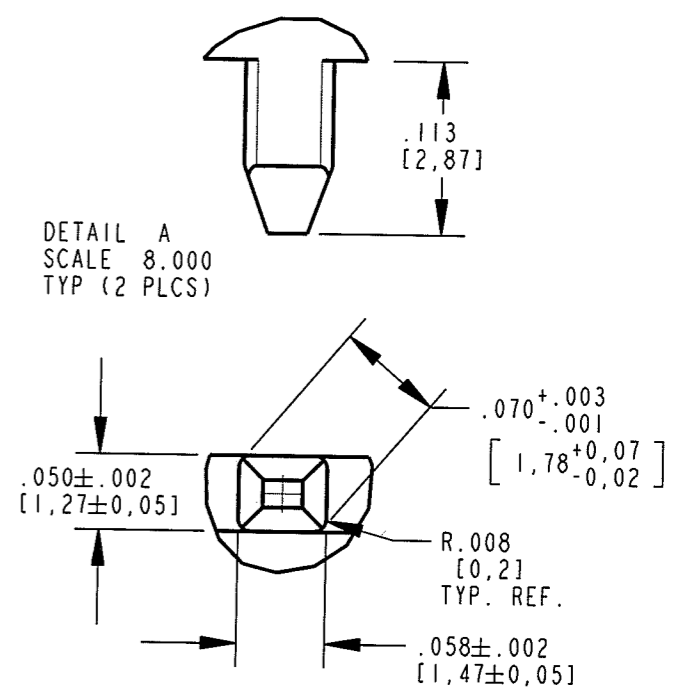
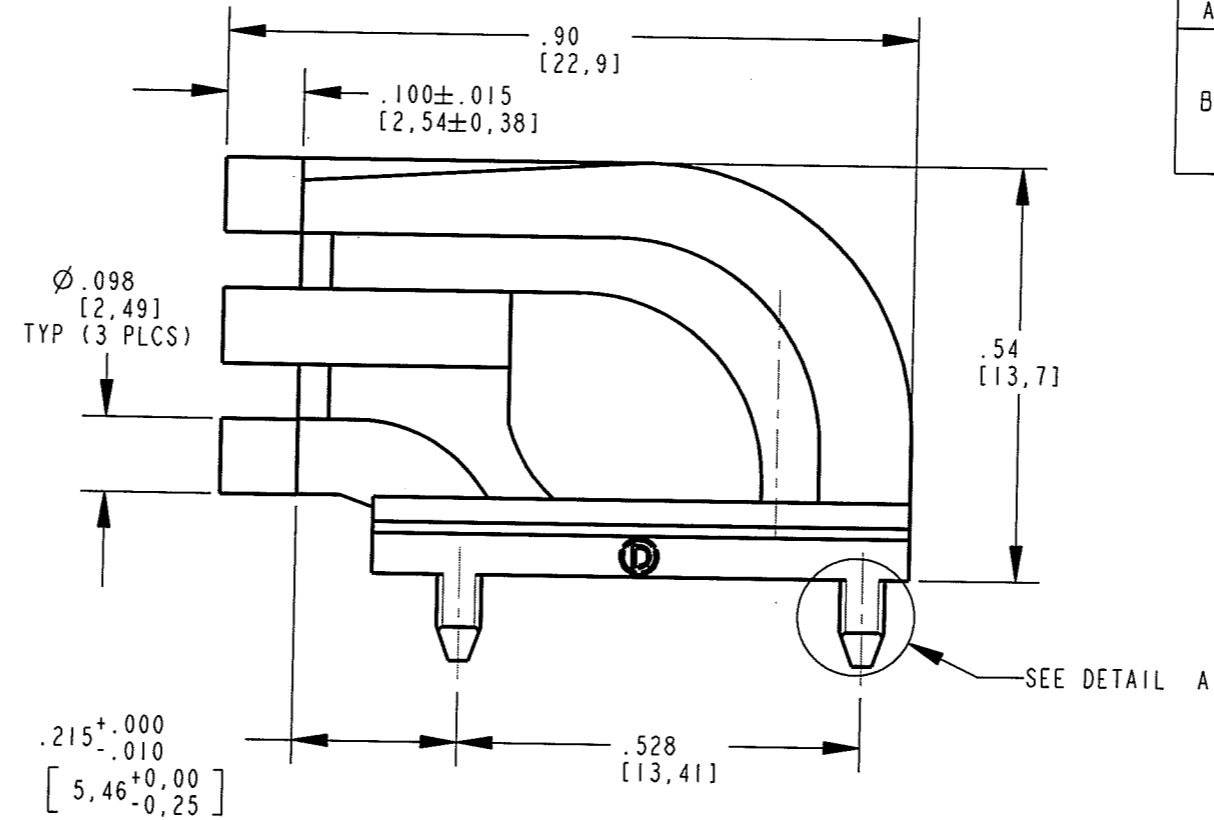
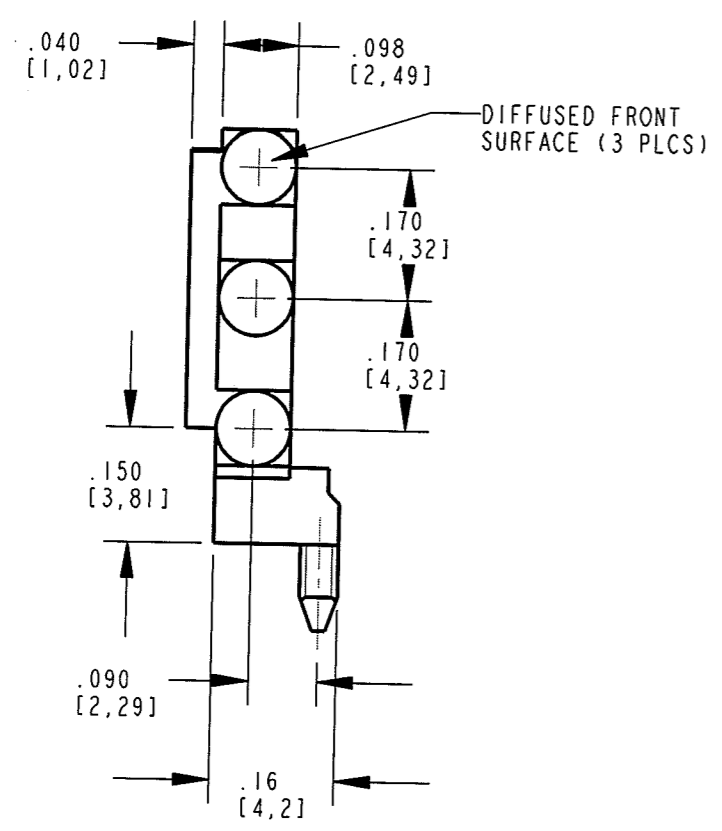
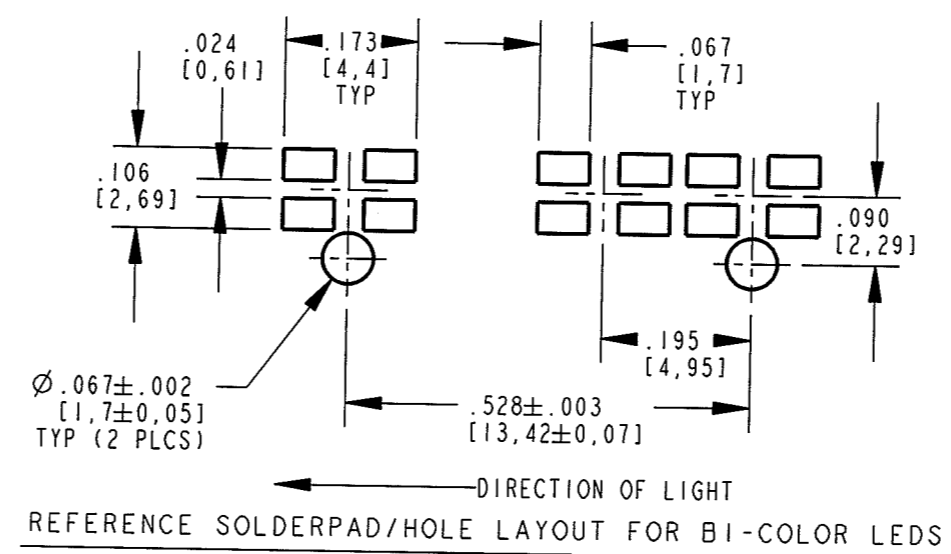
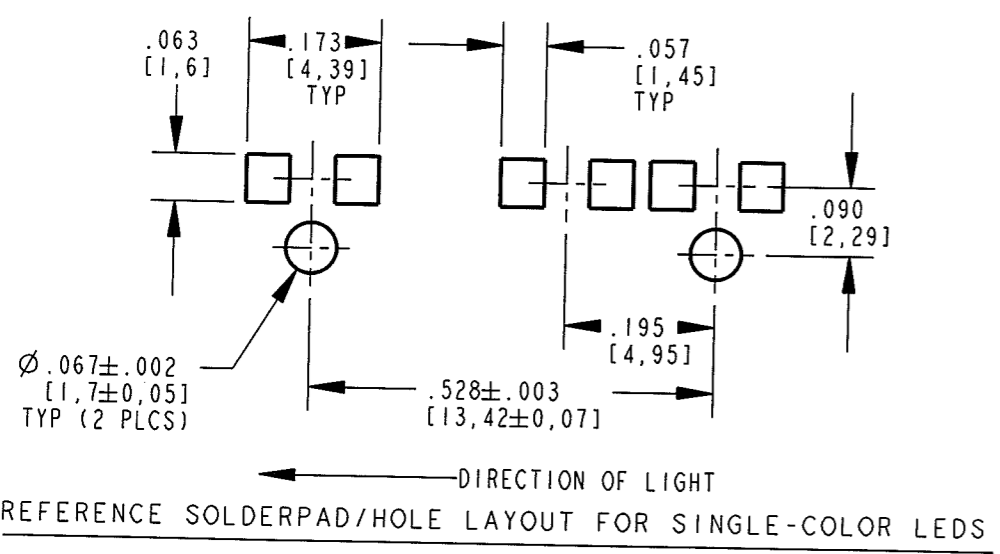


REV	ECN NO	REVISIONS	DRN	CKD	APP	DATE
A		NEW RELEASE	KLJ	N.O.	MES	11-28-07
B		REMOVED MOUNTING POST NOTE, ADDED DETAIL A VIEW, ADDED POST X-SEC DIMENSIONS, MOVED POST LENGTH DIMENSION TO DETAIL A VIEW.	KLJ			1-4-08



SCALE 2.000



- NOTES:
- COMPONENTS TO BE MOLDED IN A CLEAR TRANSMISSIVE POLYCARBONATE (UL 94V-0 FLAMMABILITY CLASS).
  - COMPONENTS DESIGNED TO BE PRESSED INTO P.C. BOARD.
  - RECOMMENDED LIGHT SOURCES: SINGLE OR BI-COLOR SMT LEADS (DIALIGHT P/N'S: 597-7XXX-507 OR 597-3XXX-507).
  - DIALIGHT PART NUMBER: 515-1064F.

**RoHS Compliant 515-1064F**

Part Numbers with the "F" suffix ending are RoHS Compliant. The bag packaging is marked with "RoHS Compliant" label or equivalent markings.

THIS DRAWING AND THE CONTENTS HEREIN ARE CONFIDENTIAL AND THE SOLE PROPERTY OF DIALIGHT. REPRODUCTION OF THIS DRAWING OR CONSTRUCTION OF ANY PARTS WITHIN THIS DRAWING ARE FORBIDDEN WITHOUT THE WRITTEN CONSENT OF DIALIGHT.		
SCALE: 4.000	DRAWING NUMBER	REV
ALL DIM'S IN: INCHES (MM)	C-17574	B
TOLERANCES: UNLESS OTHERWISE SPECIFIED	TITLE LIGHT PIPE 2.5mm TRI-LEVEL (RoHS COMPLIANT)	
FRACTIONS: ±1/64	MATERIAL	
DECIMALS (.XX): ±.01	Dialight	
DECIMALS (.XXX): ±.005	1501 ROUTE 34 SOUTH	
DECIMALS (.XXXX): ±.0005	FARMINGDALE, NJ 07727	
ANGLES: ±1°	FSCM 83330	
FINISH:	SHEET 1 OF 1 FAMILY TABLE:	