

6

5

4

3

2

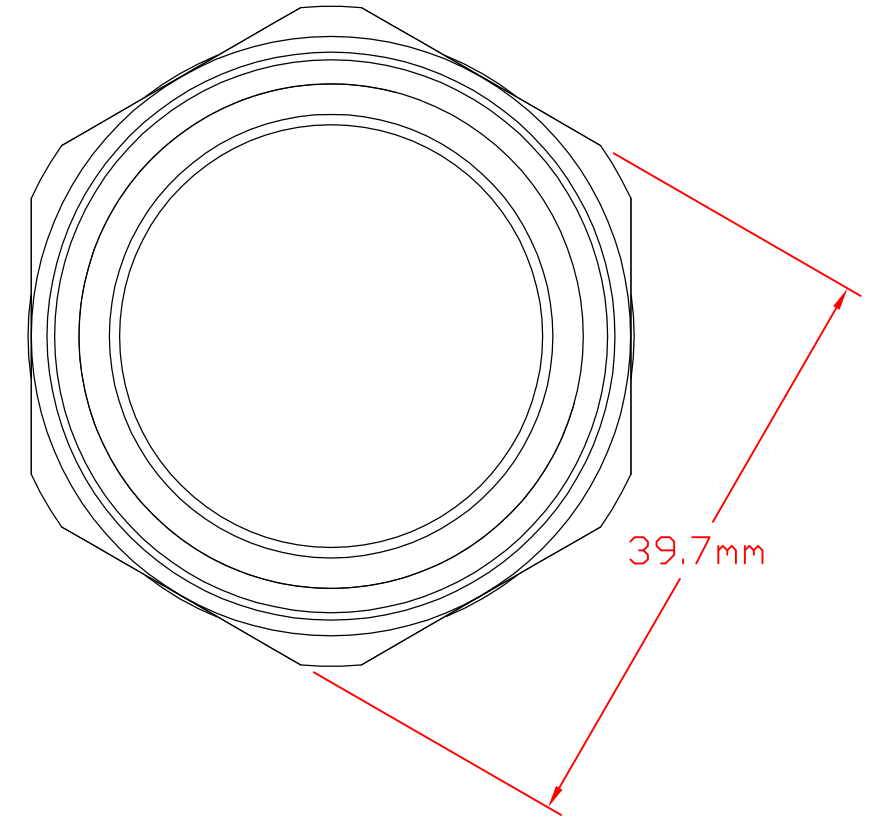
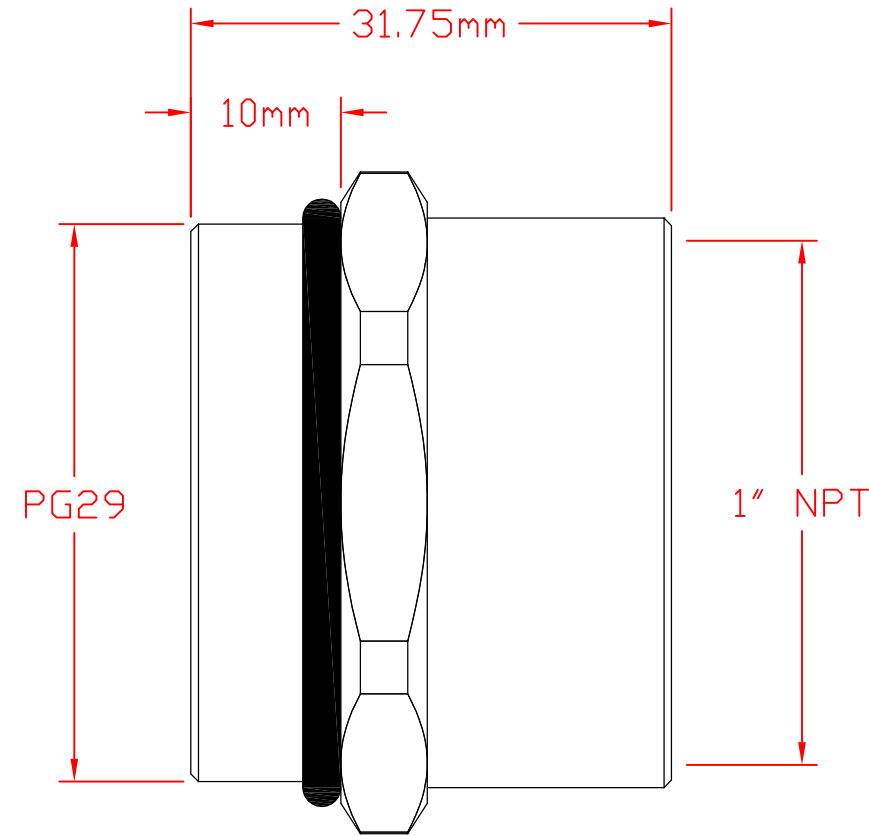
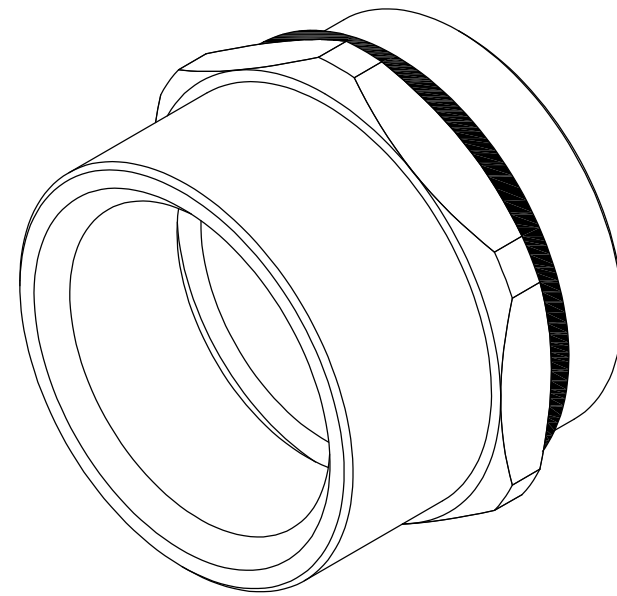
1


D

C

B

A



| DESCRIPTION | REV | DATE | INITIALS | HARTING PART NUMBER | |
|--------------------------------------------------------------------------------------------------------------------------------------------------------------------------------------------|-----|----------|----------|-----------------------------------------------------------------------------------------------------------------------------------------------------------------------------------------------|------------------------------------------------|
| | | | | 73 00 000 5315 | |
| | | | | DESCRIPTION | |
| | | | | Thread Adapter | |
| | | | | Nickel Plated Aluminum | |
| | | | | PG29 (Male) to 1" NPT (Female) | |
| Initial Release | 00 | 02/24/16 | D.G. | DRAWING NUMBER | REVISION |
| <small>This drawing is property of HARTING Manufacturing Inc. No exploitation or transfer of information contained herein is permitted without written consent / agreement of HML.</small> | | | | 73000005315 | 00 |
| | | | | <small>HARTING INC. OF NORTH AMERICA 1370 BOWES ROAD ELGIN, IL 60123 PH: (847) 741-1500</small>  | <small>REFERENCE 73000005315 SHEET 1/1</small> |