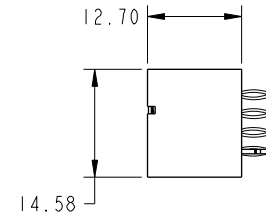
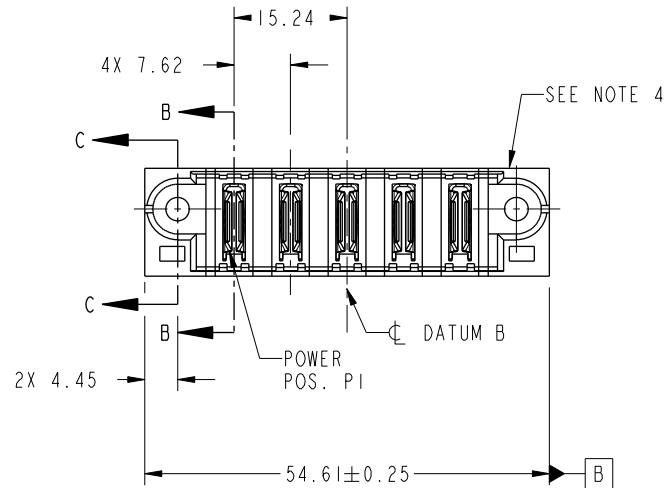




Copyright FCI.

PRODUCT NO.	POWER						
	E1	P1	P2	P3	P4	P5	E2
51952-219-- NOTE ③		PC	PC	PC	PC	PC	



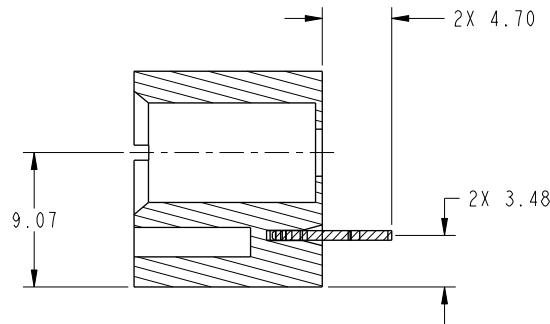
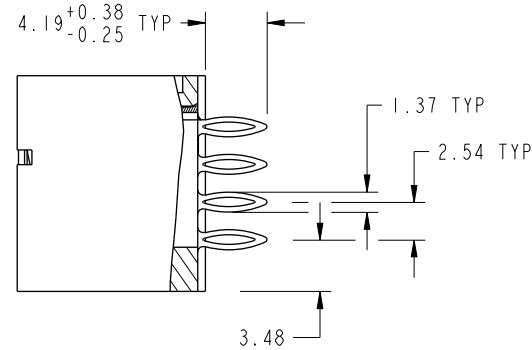
CODE	DIM "M" MATING LENGTH	CONTACT TYPE
PC	[N/A]	POWER
HA	[N/A]	HOLD-DOWN

spec ref	See Notes			dr	MT Ruan	2013-01-23	projection 	MM 	size	A4	scale	1:1	
tolerance std	TOLERANCES UNLESS OTHERWISE SPECIFIED			eng	MT Ruan	2013-02-18			ecn no	*			
See Notes				chr	-	-			product family	PwrBlade	rel level	Released	
surface	linear	0.X	±0.50		title	5ACP		dwg no	51952-219		rev	A	
		0.XX	±0.25			cat. no.	&model_name		Product - Customer Drw			sheet 1 of 4	
		0.XXX	±0.10			www.fci.com							
	angular	0°	±2°										

Part File - REV C - 2009-06-09

PRODUCT NUMBER

51952-219__
NOTE 3

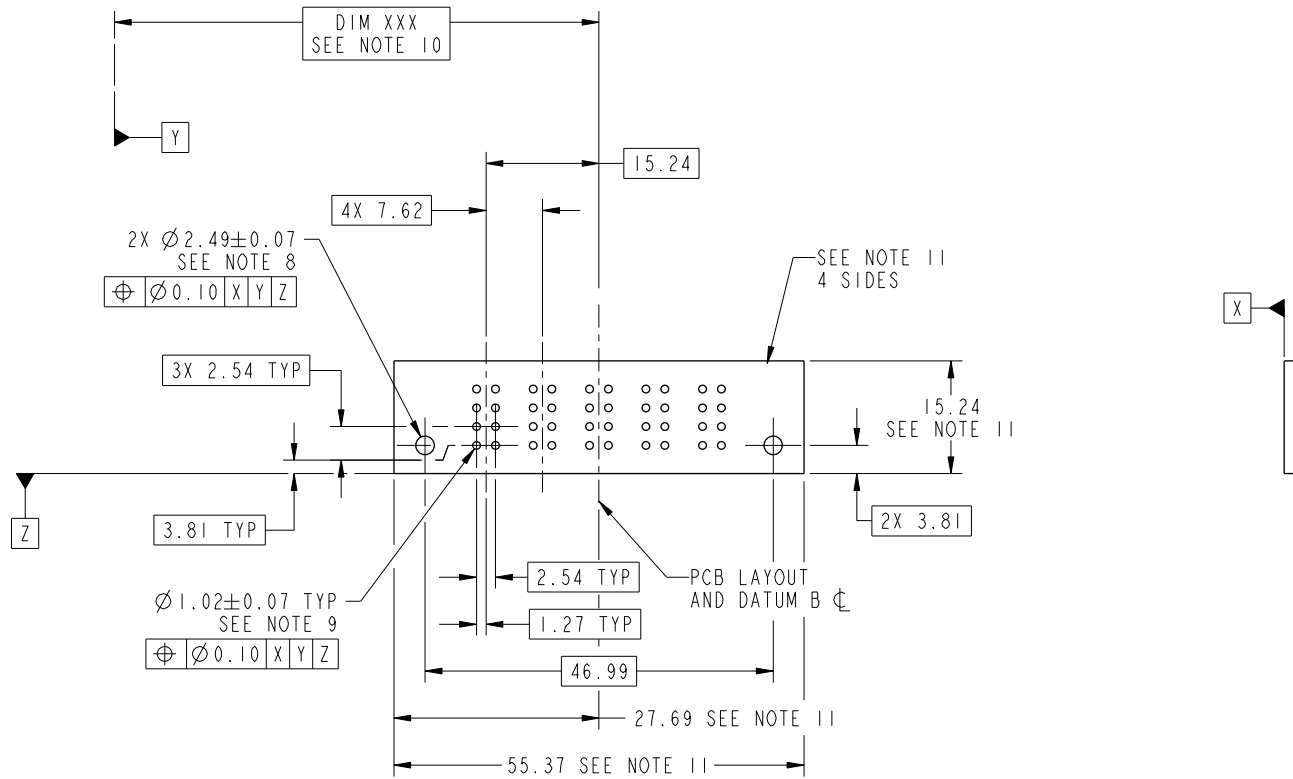


Copyright FCI.

dr	MT Ruan	2013-01-23	projection	MM	size	A4	scale	1:1
eng	MT Ruan	2013-02-18			ecn no	*		
chr	-	-			rel level	Released		
appr	PM ZHENG	2013-02-18	product family	PwrBlade				
	title	5ACP VERTICAL PRESS-FIT HEADER		dwg no	51952-219		rev	A
www.fci.com	cat. no.	&model_name	Product - Customer Drw		sheet 2 of 4			

PRODUCT NUMBER

51952-219__
NOTE 3



RECOMMENDED PCB LAYOUT

dr	MT Ruan	2013-01-23	projection	MM	size	scale
eng	MT Ruan	2013-02-18			A4	1:1
chr	-	-			ecn no *	
appr	PM ZHENG	2013-02-18	product family	PwrBlade	rel level	Released
	title	5ACP VERTICAL PRESS-FIT HEADER		dwg no	51952-219	
www.fci.com	cat. no.	&model_name	Product - Customer Drw		rev	A
					sheet 3 of 4	



Copyright FCI.

PRODUCT NUMBER

51952-219__
NOTE 3

NOTES:

1. DIMENSIONS AND TOLERANCES ARE IN ACCORDANCE WITH ASME Y14.5M, 1994 UNLESS OTHERWISE SPECIFIED.

CONNECTOR NOTES:

- 2 HOUSING MATERIAL: UL 94 V-0 GLASS FILLED HIGH-TEMP THERMOPLASTIC
POWER CONTACT MATERIAL: COPPER ALLOY
SIGNAL PIN MATERIAL: COPPER ALLOY
 - 3. SEE ITEM 3 & 4 IN PRINT 10064183 FOR PLATING SPEC OF 51952-219 AND 51952-219LF RESPECTIVELY.
 - 4 MANUFACTURER'S NAME, DATE CODE AND OPTIONAL P/N TO APPEAR ON THIS SURFACE. THE P/N CAN BE OMITTED IF THERE IS NOT ENOUGH SPACE ON THIS SURFACE.
 - 5. PRODUCT SPECIFICATION GS-12-149.
APPLICATION SPECIFICATION BUS-20-067.
 - 6. PACKAGED IN TRAYS.
- PCB NOTES:
- 7. ALL HOLE DIAMETERS ARE FINISHED HOLE SIZE.
 - 8. MOUNTING HOLES, WHERE APPLICABLE, ARE UNPLATED.
 - 9 $\varnothing 1.151 \pm 0.025$ DRILLED HOLES PLATED WITH
0.008 MIN SnPb OR Sn OVER .001 [0.03]
TO 0.08 Cu PLATING TO ACHIEVE
 $\varnothing 1.02 \pm 0.07$ HOLE.
 - 10 "DIM XXX" TO BE DETERMINED BY THE CUSTOMER.
 - 11 CONNECTOR KEEP-OUT ZONE.
 - 12. FOR PRESS FIT APPLICATION USE FCI CAM TOOL 430169-XXX.



C

Copyright FCI.

D

dr	MT Ruan	2013-01-23	projection 	MM 	size	A4	scale	1:1
eng	MT Ruan	2013-02-18			ecn no	*		
chr	-	-	product family		PwrBlade	rel level	Released	
appr	PM ZHENG	2013-02-18	title		5ACP	dwg no		51952-219
www.fci.com			title		VERTICAL PRESS-FIT HEADER	rev		A
cat. no.		&model_name	Product - Customer Drw			sheet 4 of 4		