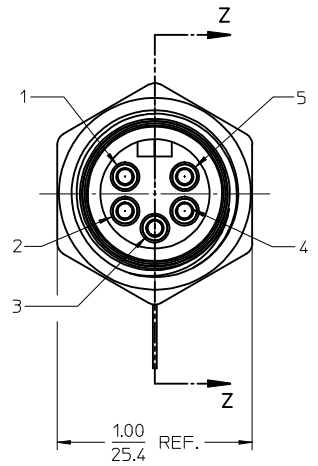
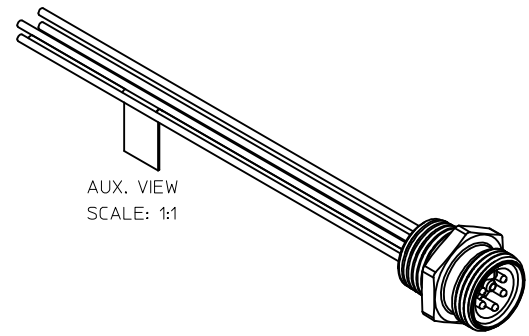
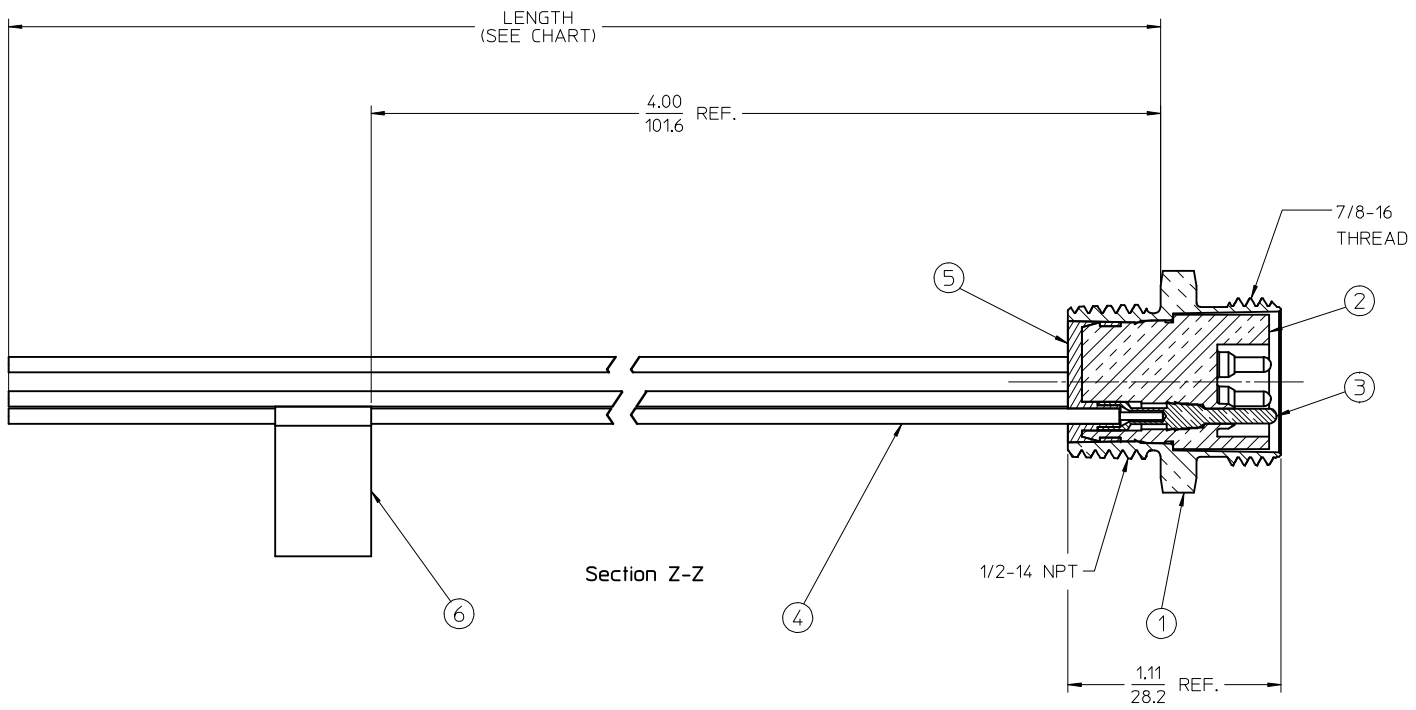


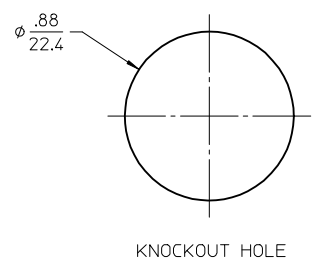
MATERIAL NO.	ENGINEERING NO.	LENGTH
1300130526	1R5006A25A120	12.0 +.75 -0 (304.8 +19.1 -0)



BLACK	1
BLUE	2
GREEN/YELLOW	3
BROWN	4
WHITE	5

WIRING DIAGRAM

- NOTES:
 1. MATERIAL: SEE TABLE
 2. FINISHES: SEE TABLE
 3. MATES WITH: 5C MINI CHANGE CABLE
 4. ELECTRICAL SPECIFICATIONS:
 VOLTAGE RATING: 300V AC/DC
 CURRENT RATING: 5.6 AMPS
 5. ASSEMBLY IS RoHS COMPLIANT



6	1	LABEL	PLASTIC FILM	BLACK/YELLOW
5	1	POTTING MATERIAL	EPOXY	
4	5	WIRE, 18 AWG	PVC INSULATION	SEE WIRE DIAGRAM
3	5	CONTACT PIN	Cu ALLOY	GOLD PLATED
2	1	INSERT	PVC	YELLOW
1	1	RECEPTACLE SHELL	ZINC DIE-CAST	BLACK
ITEM	QTY.	DESCRIPTION	MATERIAL	FINISH

UPDATED GROUND WIRE TO GREEN/YELLOW EC NO: 162016-1484
 DRAWINGGUSTAFSON 2016/05/03
 CHKDRSTONE 2016/05/20
 APPR:BMWOODMAN 2016/05/27

QUALITY SYMBOLS
 ▽=0
 ▽=0

GENERAL TOLERANCES (UNLESS SPECIFIED)
 mm INCH
 4 PLACES ± --- ± ---
 3 PLACES ± --- ± ---
 2 PLACES ± --- ± .01
 1 PLACE ± 0.3 ± ---
 ANGULAR ± 1/2°

DRAFT WHERE APPLICABLE MUST REMAIN WITHIN DIMENSIONS

DIMENSION STYLE IN/MM
 DRAWN BY DATE R.STONE 2009/08/24
 CHECKED BY DATE B.WOODMAN 2009/08/27
 APPROVED BY DATE JFMURPHY 2009/08/26

MATERIAL NO. SEE CHART
 SIZE C

SCALE 2:1
 DESIGN UNITS INCH
 THIRD ANGLE PROJECTION

TITLE MINI-CHANGE, RECEPTACLE 5P, MALE, 18 AWG

MOLEX MOLEX INCORPORATED
 DOCUMENT NO. SD-130013-081
 SHEET NO. 1 OF 1

THIS DRAWING CONTAINS INFORMATION THAT IS PROPRIETARY TO MOLEX INCORPORATED AND SHOULD NOT BE USED WITHOUT WRITTEN PERMISSION