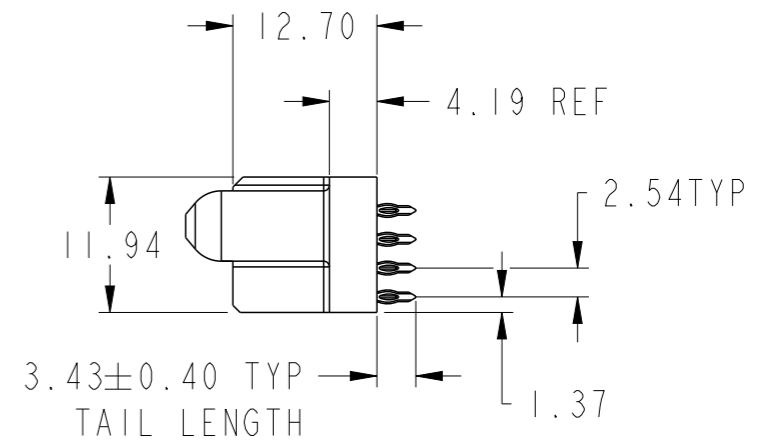
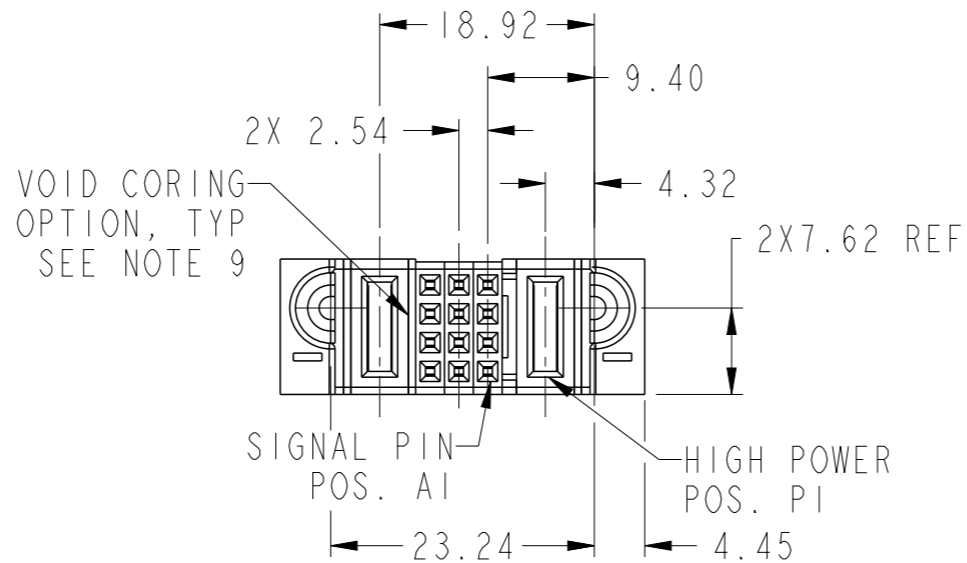
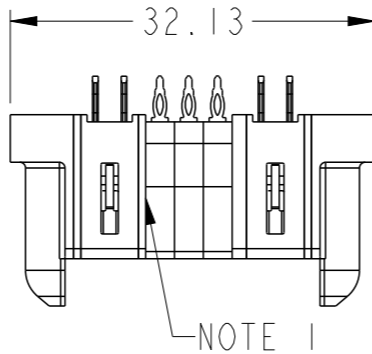
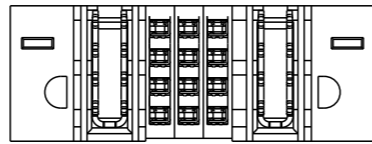


PRODUCT NUMBER SEE SHEET 2



spec ref		dr	Xie Bob	2013/06/28	projection	MM	size	A3	scale	3:2
tolerance std		eng	Helen Zhang	2013/07/08			ecn no		-	
ASME Y14.5		chr	Li-He	2013/07/07			rel level		Released	
TOLERANCES UNLESS OTHERWISE SPECIFIED		appr	Pei-Ming Zheng	2013/07/08	product family		PowerBlade+			
surface		linear	0.X	±0.50		IHP + 12S + IHP VT PRESSFIT RECEPTACLE		dwg no 10106269-2003001	rev A	
			0.XX	±0.25						
			0.XXX	±0.10						
ASME Y14.5		angular	0°	±2°	www.fci.com	cat. no.	Product - Customer Drw		sheet 1 of 3	

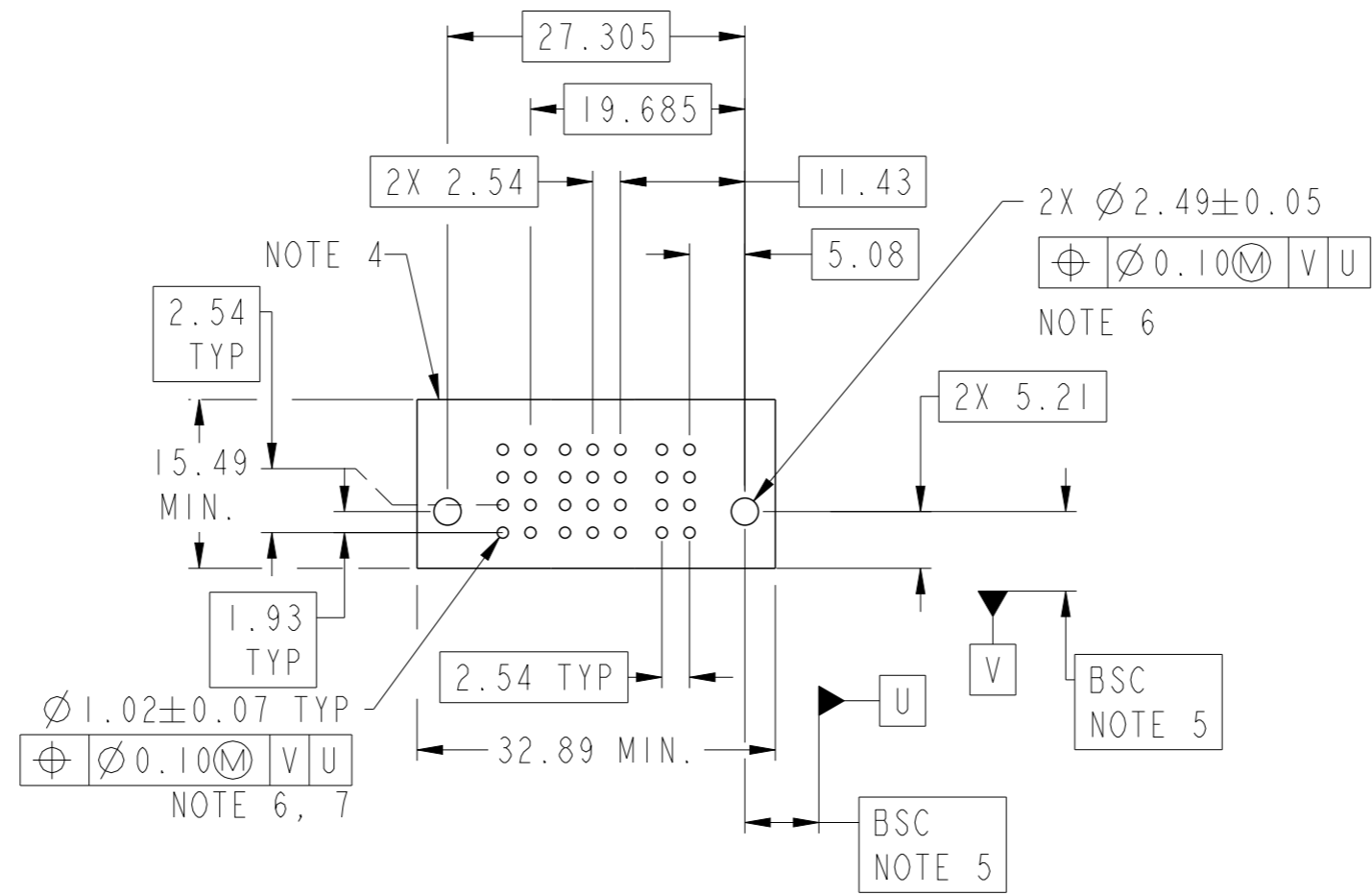


Copyright FCI.

PRODUCT NO.	ROWS
10106269-2003001LF	D C B A

	HP	S	HP	
E1	P2	3	2	1
	P1			E2
	HG	FFF	FFF	HD
		FFF	FFF	
		FFF	FFF	
		FFF	FFF	

CODE	DESCRIPTION
F	STD SIGNAL CONTACT
HD	MFBL HIGH POWER CONTACT (3.43)
HG	STD HIGH POWER CONTACT (3.43)



Copyright FCI.

dr	Xie Bob	2013/06/28	projection	MM	size	A3	scale	3:2
eng	Helen Zhang	2013/07/08			ecn no			
chr	Li-He	2013/07/07			-			
appr	Pei-Ming Zheng	2013/07/08	product family	PowerBlade+	rel level		Released	
			title IHP + 12S + IHP VT PRESSFIT RECEPTACLE		dwg no 10106269-2003001		rev A	
www.fci.com			cat. no.		Product - Customer Drw		sheet 2 of 3	

A

B

C

D

A

B

C

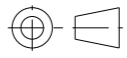
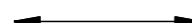

D

NOTES:

- 1) "FCI", PART NUMBER AND DATE CODE TO BE MARKED ON THIS SURFACE.
THE P/N CAN BE OMITTED IF THERE IS NOT ENOUGH SPACE ON THIS SURFACE.
- 2) MATERIALS:
-HOUSING - GLASS FILLED WITH HIGH TEMP THERMOPLASTIC, UL94V-0.
-SIGNAL CONTACT - COPPER ALLOY.
-POWER CONTACT - HIGH CONDUCTIVITY COPPER ALLOY.
- 3) PLATING SPECIFICATION REFER TO FCI 10116351
- 4) DENOTES CONNECTOR KEEP OUT ZONE.
- 5) DATUM AND BASIC DIMENSIONS WERE ESTABLISHED BY CUSTOMER.
- 6) ALL HOLE DIAMETERS ARE FINISHED HOLE SIZES.
- 7) 1.15 ± 0.025MM DRILLED HOLE PLATED WITH 0.00762MM MIN Sn
OVER 0.0254-0.0762MM Cu PLATING TO ACHIEVE A 1.02 ± 0.07MM HOLE.
- 8) PRODUCT SPECIFICATION REFER TO FCI GS-12-658.
APPLICATION SPECIFICATION REFER TO FCI GS-20-141.
PRODUCT PACKAGED IN TRAYS, REFER TO FCI GS-14-1502.
- 9) THE VOID CORING IN BETWEEN POWER MODULES, SIGNAL
MODULES AND END MODULES ARE OPTIONAL AND THE SHAPE
MAY BE DIFFERENT FOR OPTIMIZE THE MOLDING PROCESS. THE
VOID CORING WILL NOT EFFECT TO PRODUCT FUNCTION.



Copyright FCI.

dr	Xie Bob	2013/06/28	projection 	MM 	size	A3	scale	1:1
eng	Helen Zhang	2013/07/08			ecn no	-		
chr	Li-He	2013/07/07			rel level	Released		
appr	Pei-Ming Zheng	2013/07/08			product family	PowerBlade+		
		title IHP + 12S + IHP VT PRESSFIT RECEPTACLE		dwg no 10106269-2003001	rev A			
www.fci.com		cat. no.	Product - Customer Drw		sheet 3 of 3			