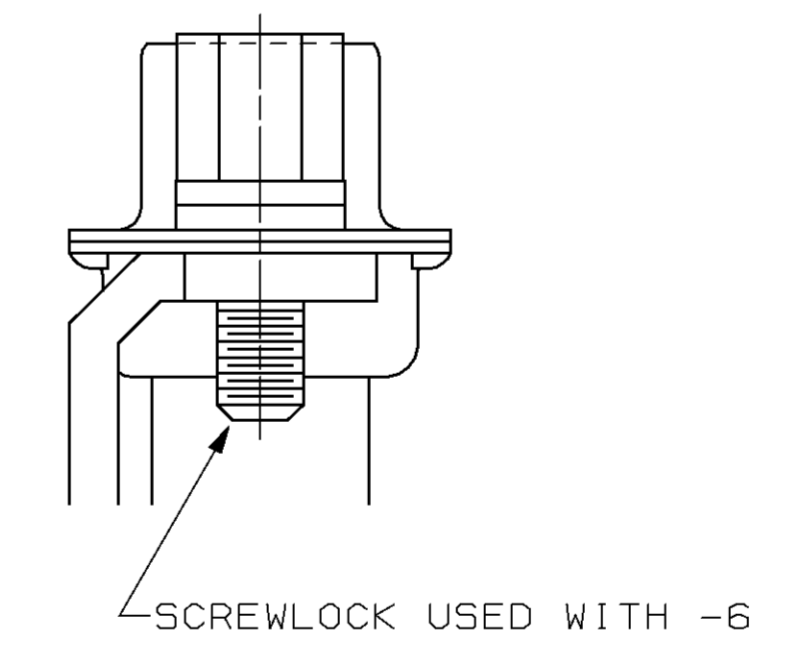
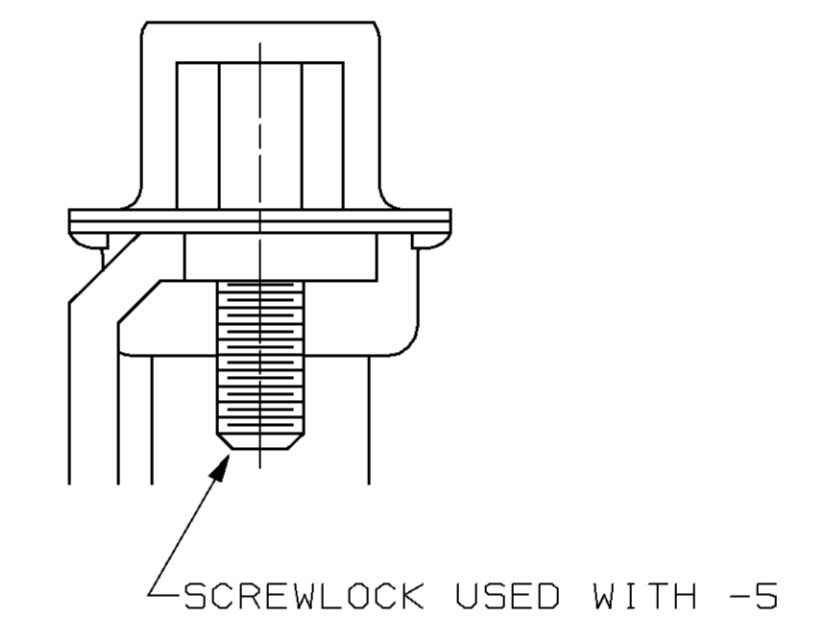
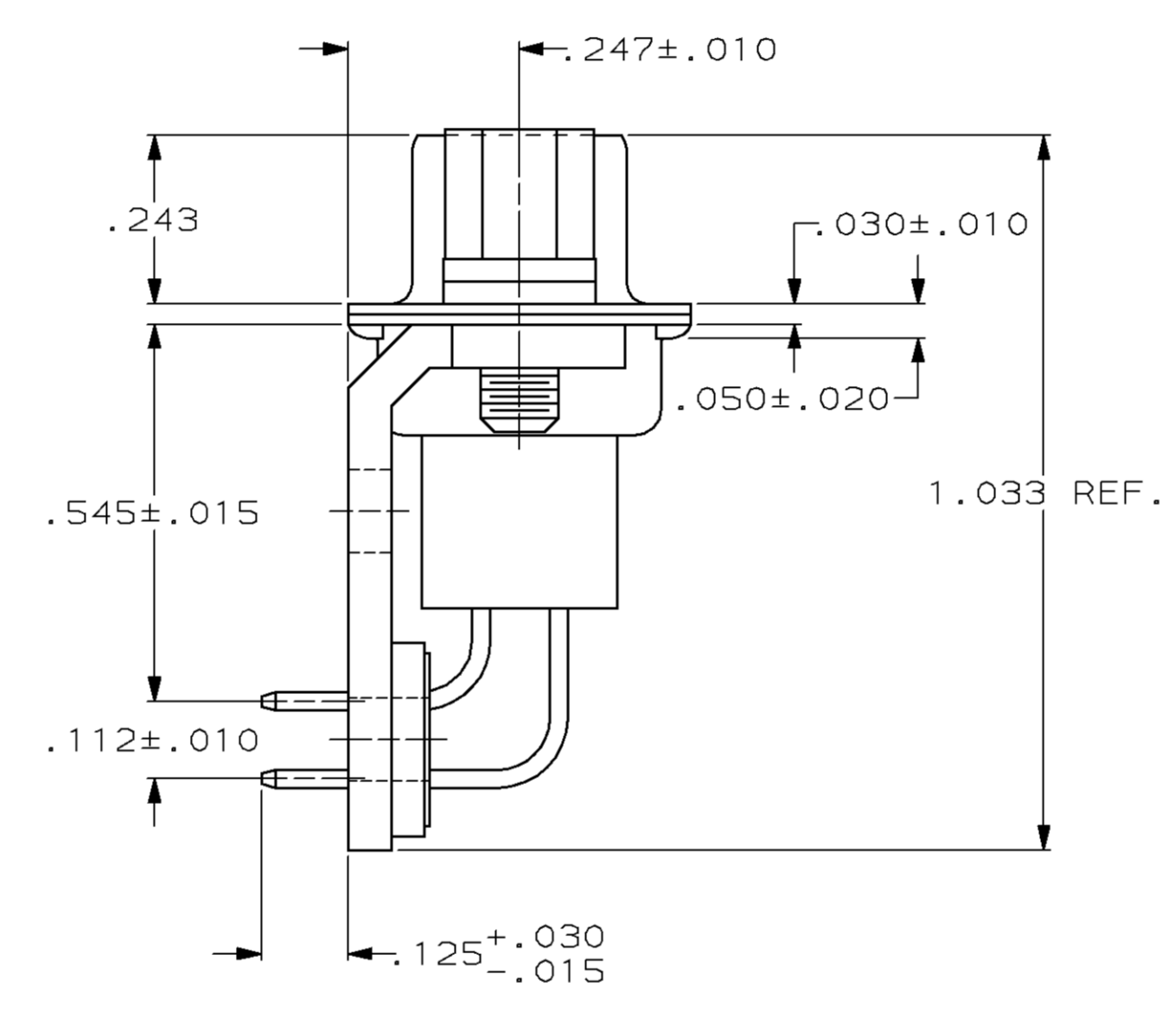
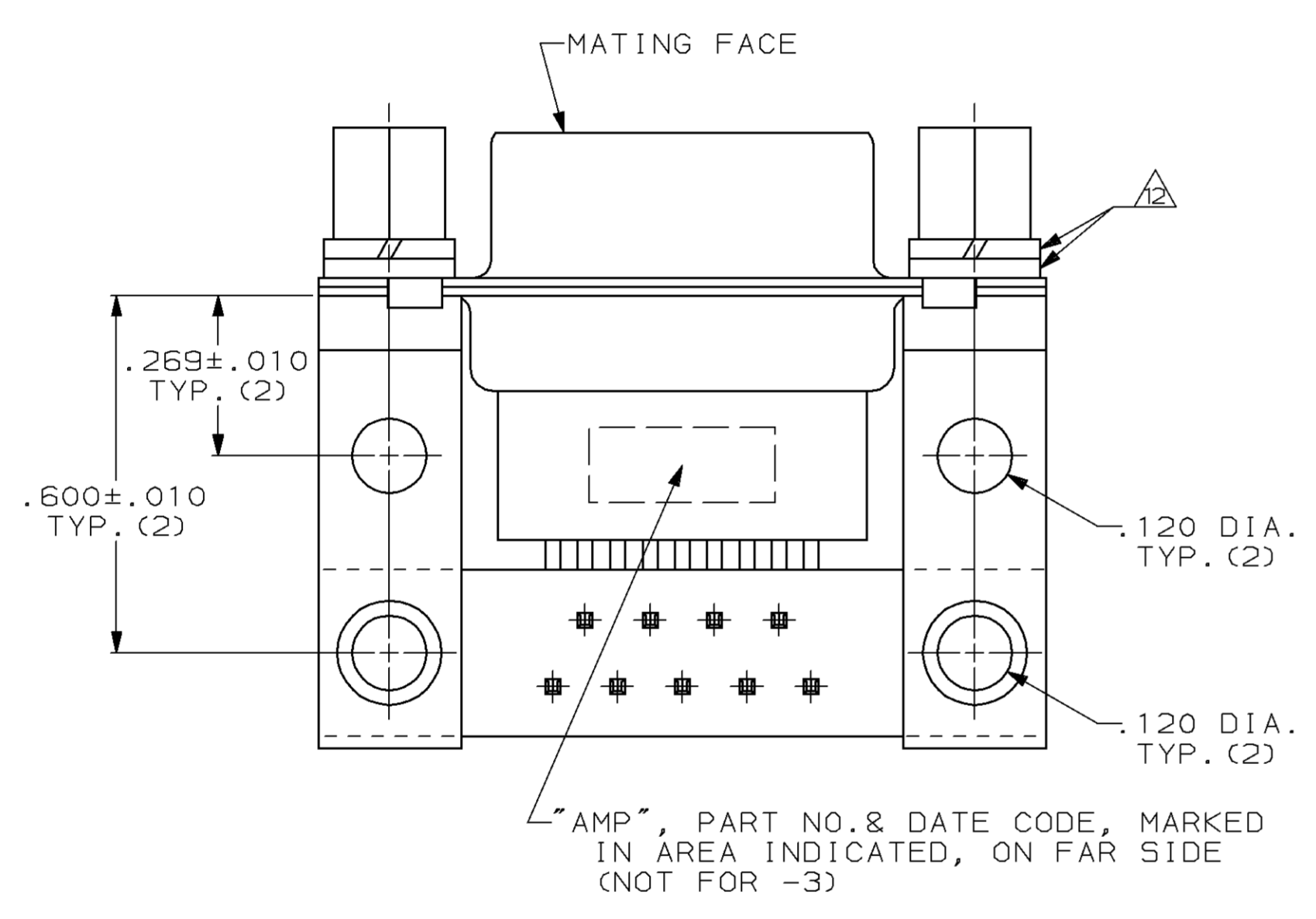
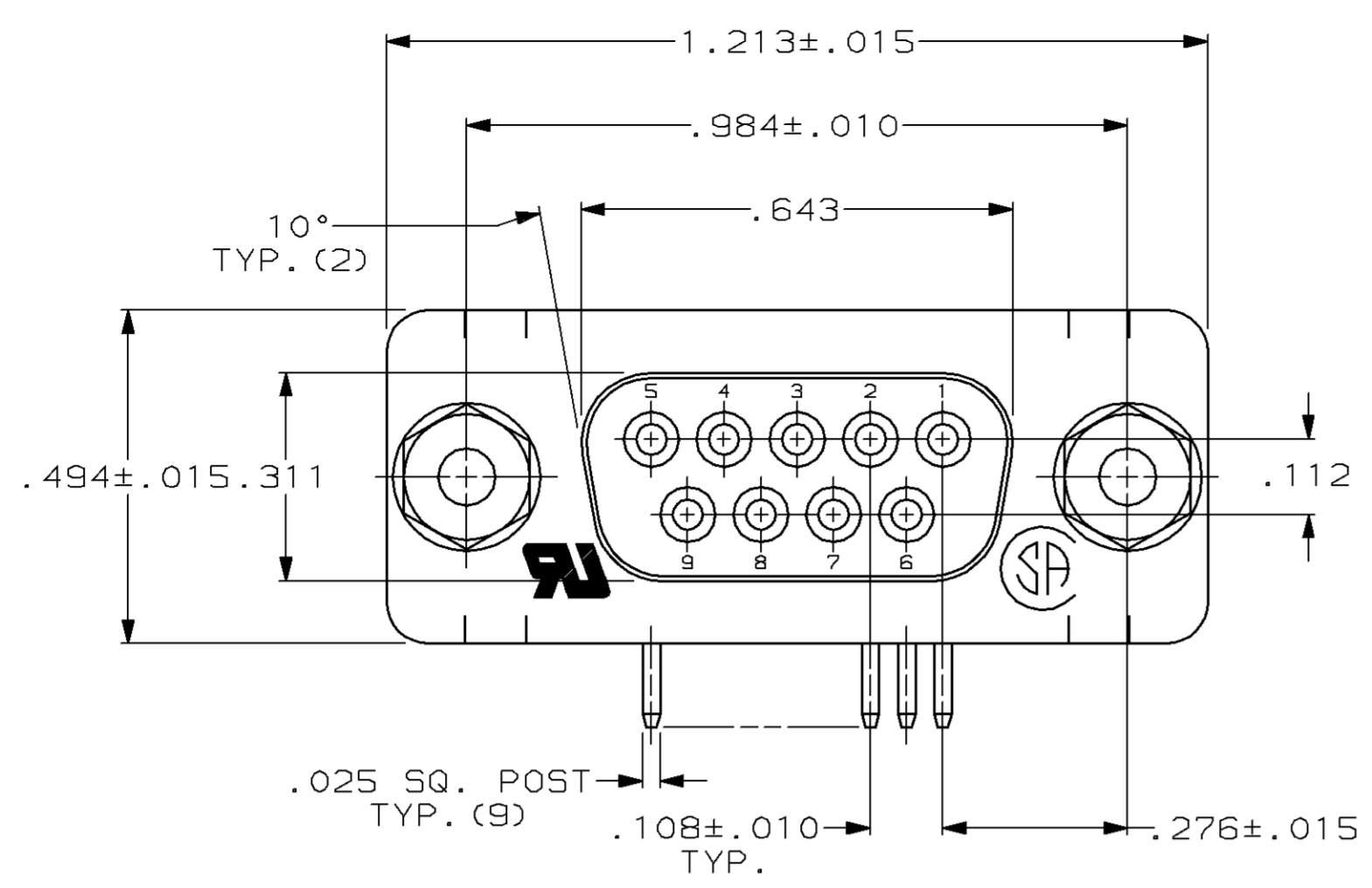
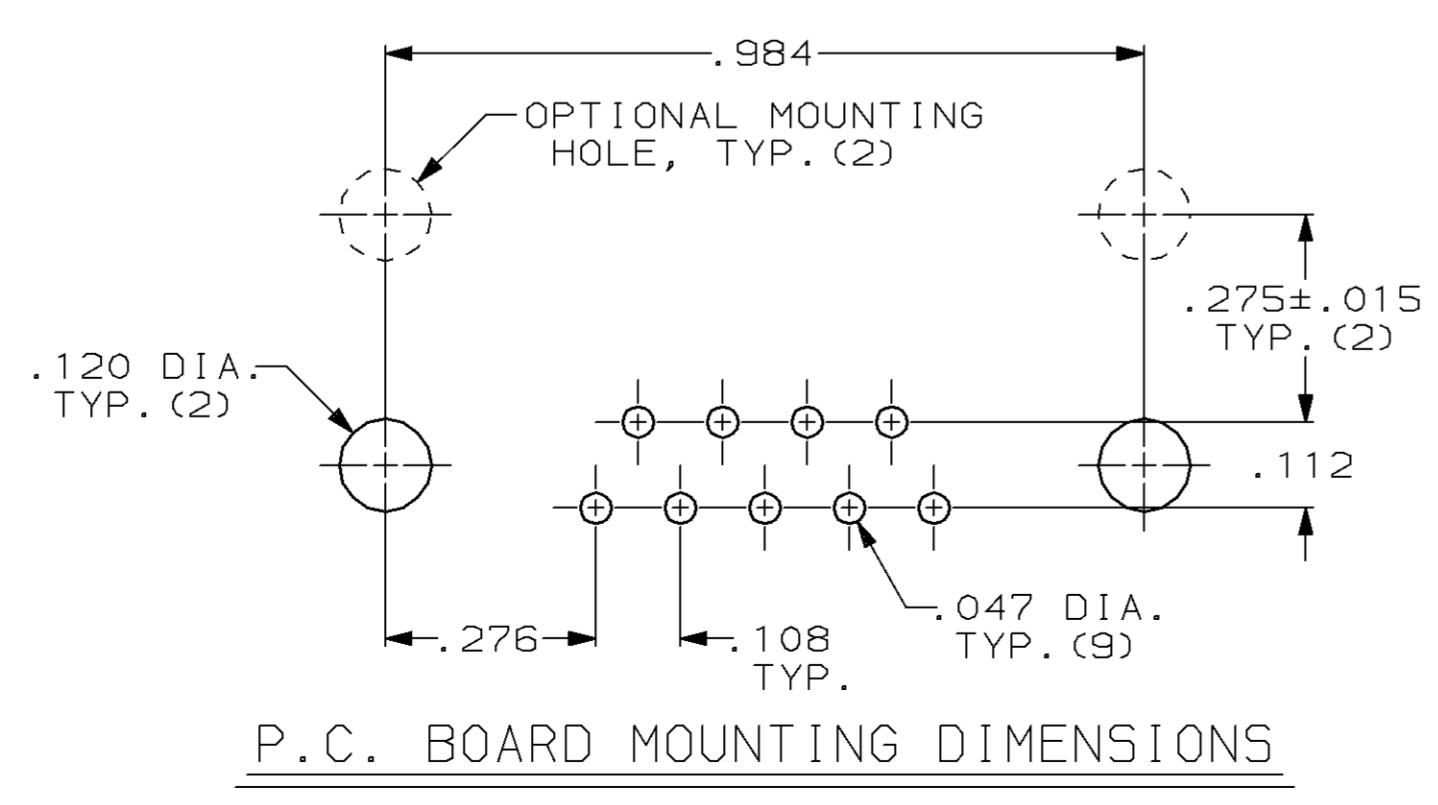


LOC		DIST		P		F		ZONE		LTR		REVISIONS			
BD	77											DESCRIPTION	DATE	APPD	
												D	REDRAW & OBS-3,-4 PER EC 0020-617-93	08/18/93	CR
												E	OBS -6 PER EC 0020-831-93	03/15/94	SB



1. CONNECTOR MATES WITH ANY 9 POS. PLUG IN AMPLIMITE SERIES & COMPLIES WITH AMP SPEC. 108-40,005 WHERE APPLICABLE.
2. FLAME RETARDANT 94V-0 RATED THERMOPLASTIC, COLOR: BLACK.
3. STEEL PER ASTM A109.
4. PHOS. BRONZE PER QQ-B-750.
5. SCREWLOCKS: STEEL PER ASTM A109, WASHERS: STEEL PER ASTM A108.
6. TIN PLATING PER MIL-T-10727, ZINC CLEAR CHROMATE PLATING PER ASTM B633; TYPE III; CLASS SC1, ZINC YELLOW CHROMATE PLATING PER ASTM B633; TYPE II; CLASS SC1, GOLD PLATING PER MIL-G-45204, NICKEL PLATING PER QQ-N-290.
7. TIN PLATED.
8. ZINC PLATED CLEAR CHROMATE.
9. ZINC PLATED YELLOW CHROMATE.
10. GOLD FLASH FOR A LENGTH OF .100 MINIMUM FROM MATING END, .000100 MINIMUM TIN-LEAD ON OPPOSITE END, BOTH OVER .000050 MINIMUM NICKEL.
11. .000030 MINIMUM GOLD FOR A LENGTH OF .100 MINIMUM FROM MATING END, .000100 MINIMUM TIN-LEAD ON OPPOSITE END, BOTH OVER .000050 MINIMUM NICKEL.
12. LOCK WASHERS ARE FOR -1, -2, -4 & -6, PLAIN WASHERS ARE FOR -1, -2 & -6.



OBSOLETE	SCREWLOCK FINISH	WASHER FINISH	CONTACT FINISH	PART NUMBER
OBSOLETE	△	△	△	747020-6
OBSOLETE	△	△	△	747020-5
OBSOLETE	△	△	△	747020-4
OBSOLETE	△	△	△	747020-3
	△	△	△	747020-2
	△	△	△	747020-1

DO NOT SCALE PRINT. UNLESS SPECIFIED DIMENSIONS IN INCHES TOLERANCES ON: 2 PLC DEC ± 3 PLC DEC ± .005 ANGLES ± 2°		DR 8-27-84 J.GERACE	AMP Incorporated Harrisburg, PA 17105-3608	
MATERIAL MOLDED PARTS: △ SHELLS & BRACKETS: △ CONTACTS: △ HARDWARE: △ FINISH △		CHK 8-27-84 J.GERACE		
SHELLS & BRACKETS: △ HARDWARE: SEE TABLE CONTACTS: SEE TABLE		APPD 9-19-84 C.MACKRIDES	NAME RECEPTACLE ASSEMBLY, SIZE 1, 9 POS., RIGHT ANGLE, .545 SERIES, .025 SQ. POSTS, W/ SCREWLOCKS, AMPLIMITE™ HDP	
		APPD 9-19-84 J.ASSINI	PRODUCT SPEC -	
		APPLICATION SPEC -	SIZE D	CAGE CODE 00779
		WEIGHT -	DRAWING NO. C-747020	SHEET 1 OF 1

THIS DRAWING IS A CONTROLLED DOCUMENT FOR AMP INCORPORATED. IT IS SUBJECT TO CHANGE AND THE CONTROLLING ENGINEERING ORGANIZATION SHOULD BE CONTACTED FOR THE LATEST REVISION.