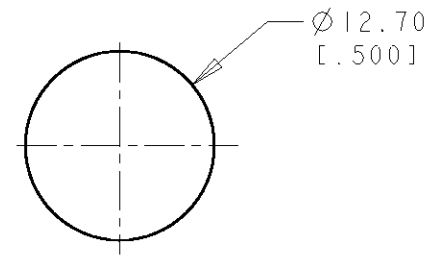
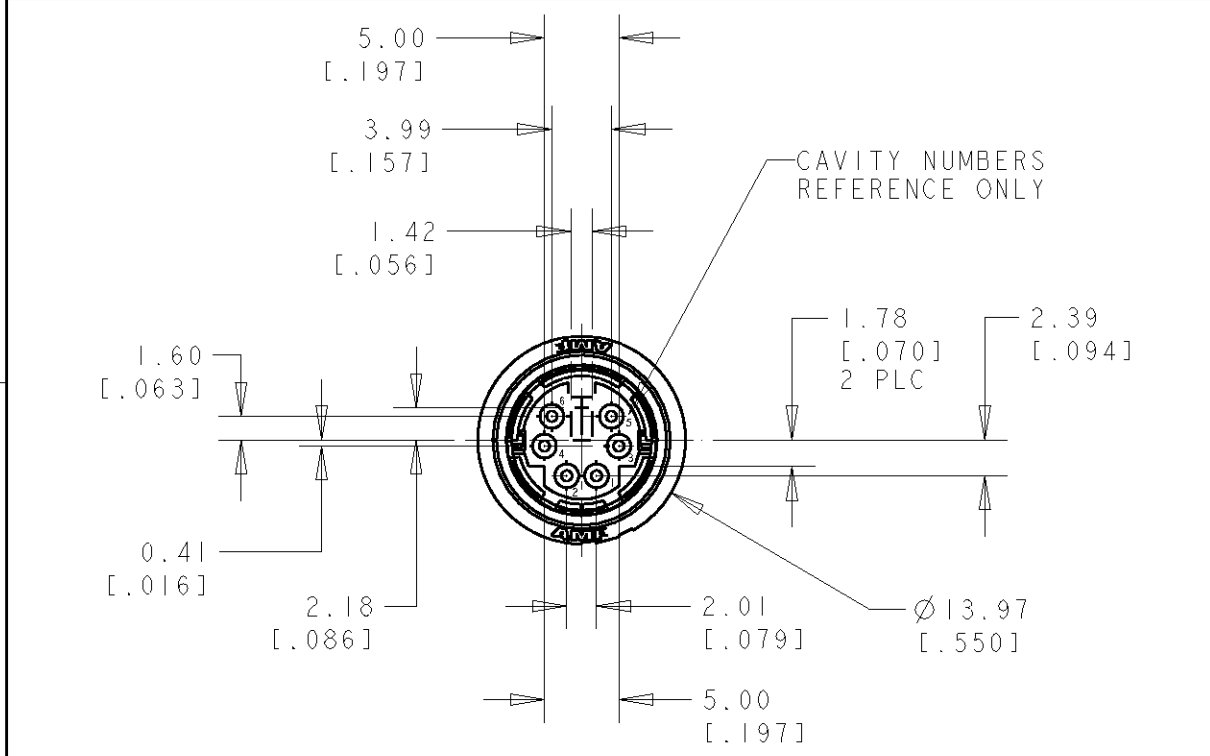


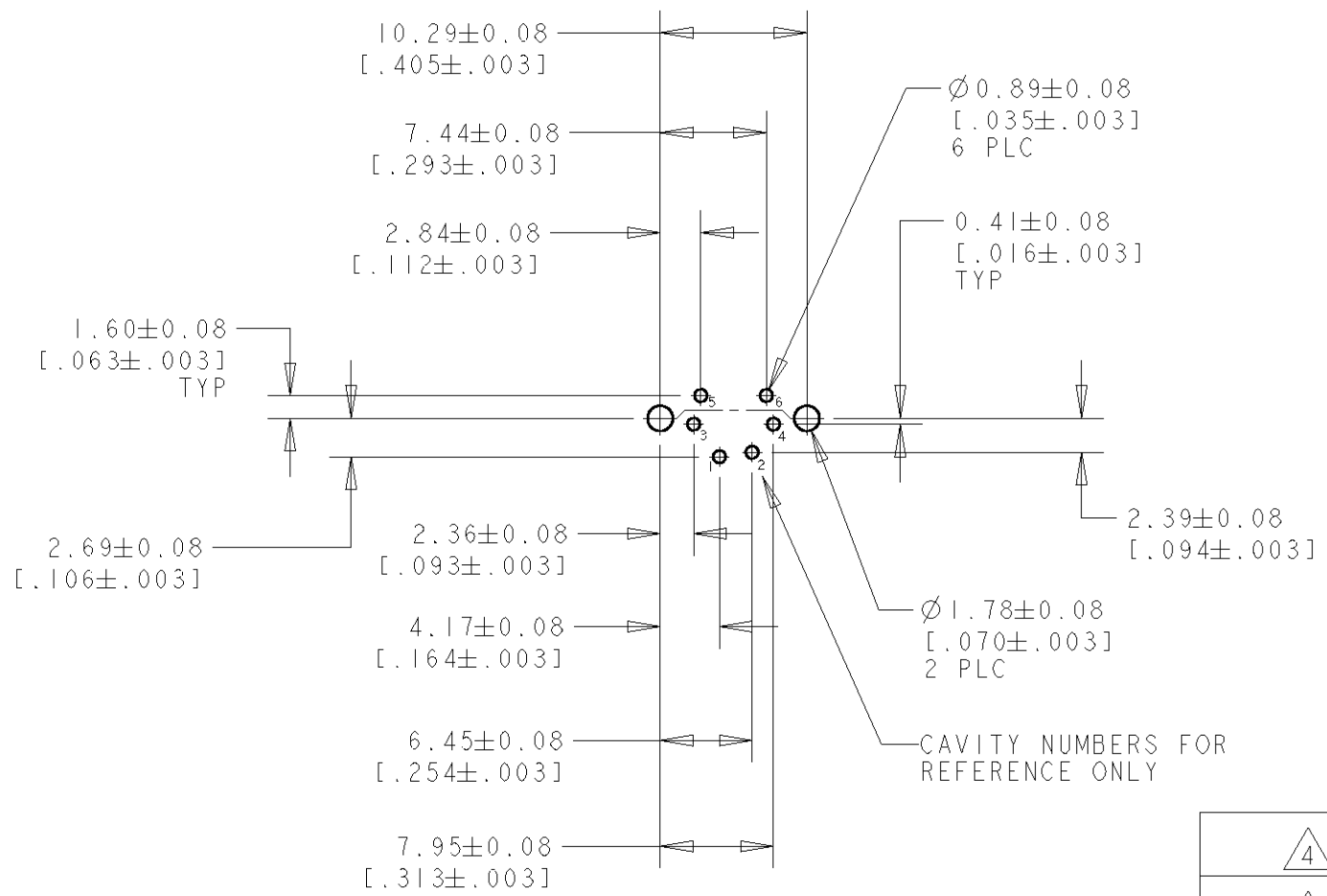
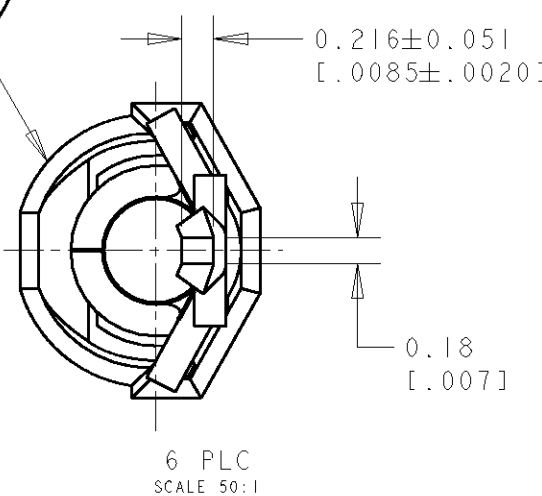
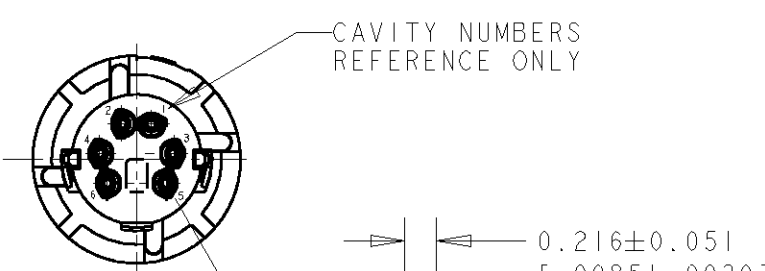
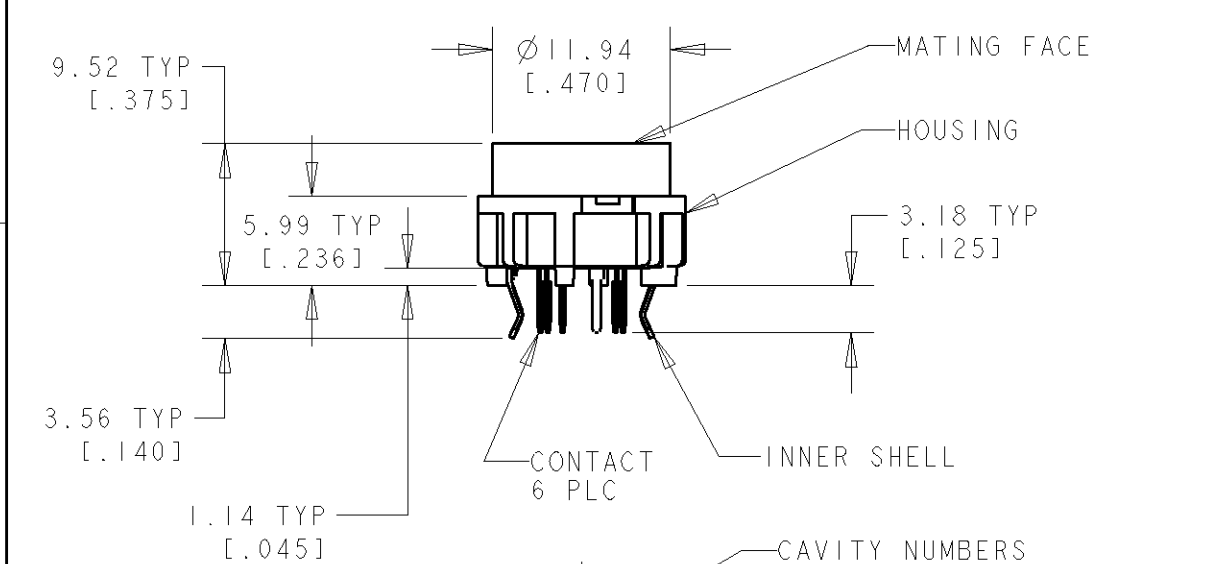
THIS DRAWING IS UNPUBLISHED. RELEASED FOR PUBLICATION .19  
 BY AMP INCORPORATED. ALL RIGHTS RESERVED.

LOC	DIST	REVISIONS			
P	LTR	DESCRIPTION	DATE	DWN	APVD
DY	-	0	NPR ECR-05-008266	21JUN05	LWY SYJ



RECOMMENDED PANEL CUT-OUT

- NOTES:
- 1 SHELLS: BRASS  
CONTACTS: PHOSPHOR BRONZE  
HOUSING: POLYESTER, UL 94V-0 RATED, BLACK
  - 2 0.76um [.000030] MIN GOLD ON MATING END FOR A LENGTH OF 1.37[.054] MIN ON INSIDE, 2.540um [.000100] MIN TIN FOR A LENGTH OF 3.30um [.130] MIN FROM OPPOSITE END, ALL OVER 1.27um [.000050] MIN NICKEL.
  - 3 0.38um [.000015] MIN GOLD ON MATING END FOR A LENGTH OF 1.37[.054] MIN ON INSIDE, 2.540um [.000100] MIN TIN FOR A LENGTH OF 3.30um [.130] MIN FROM OPPOSITE END, ALL OVER 1.27um [.000050] MIN NICKEL.
  - 4 2.54um [.000100] MIN TIN OVER 1.27um [.000050] MIN COPPER
  - 5. RECEPTACLE ASSEMBLY MATES WITH 6 PIN,  $\phi 8.99 \pm 0.10$  [.354  $\pm$  .004] PLUG.



RECOMMENDED PC BOARD LAYOUT  
BOTTOM VIEW

4	2	5750327-2
4	3	5750327-1
INNER SHELL FINISH	CONTACT FINISH	PART NO.

THIS DRAWING IS A CONTROLLED DOCUMENT FOR AMP INCORPORATED. IT IS SUBJECT TO CHANGE AND THE CONTROLLING ENGINEERING ORGANIZATION SHOULD BE CONTACTED FOR THE LATEST REVISION.		DWN WYLEE 21JUN2005	<b>tyco</b> Electronics Tyco Electronics Singapore Pte. Ltd.	
DIMENSIONS: mm [INCHES]	TOLERANCES UNLESS OTHERWISE SPECIFIED:	CHK YJ SEE	NAME RECEPTACLE ASSEMBLY, 6 POSN, LOW FLANGE, UNSHIELDED, VERTICAL, MINIATURE CIRCULAR DIN, LF	
	0 PLC $\pm$ - 1 PLC $\pm$ - 2 PLC $\pm$ 0.13 [.005] 3 PLC $\pm$ - 4 PLC $\pm$ - ANGLES $\pm$ -	APVD SF LEONG	PRODUCT SPEC -	SIZE A3
MATERIAL	FINISH SEE TABLE	APPLICATION SPEC -	WEIGHT -	CAGE CODE 00779
		CUSTOMER DRAWING		DRAWING NO 5750327
		SCALE 10:		SHEET 1 OF 1 REV 0