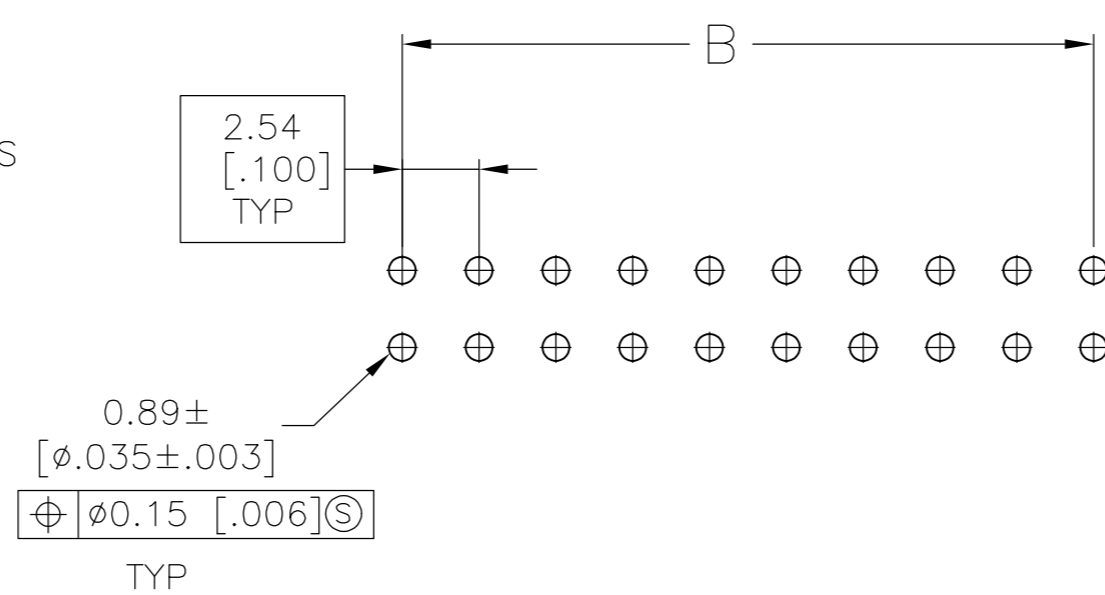
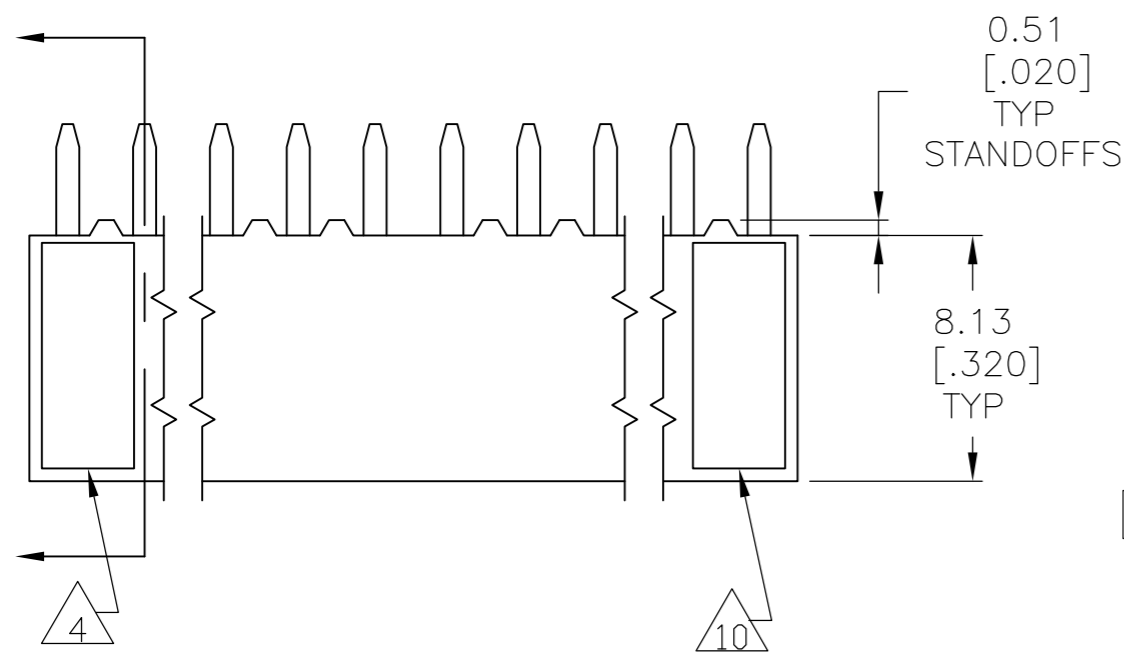
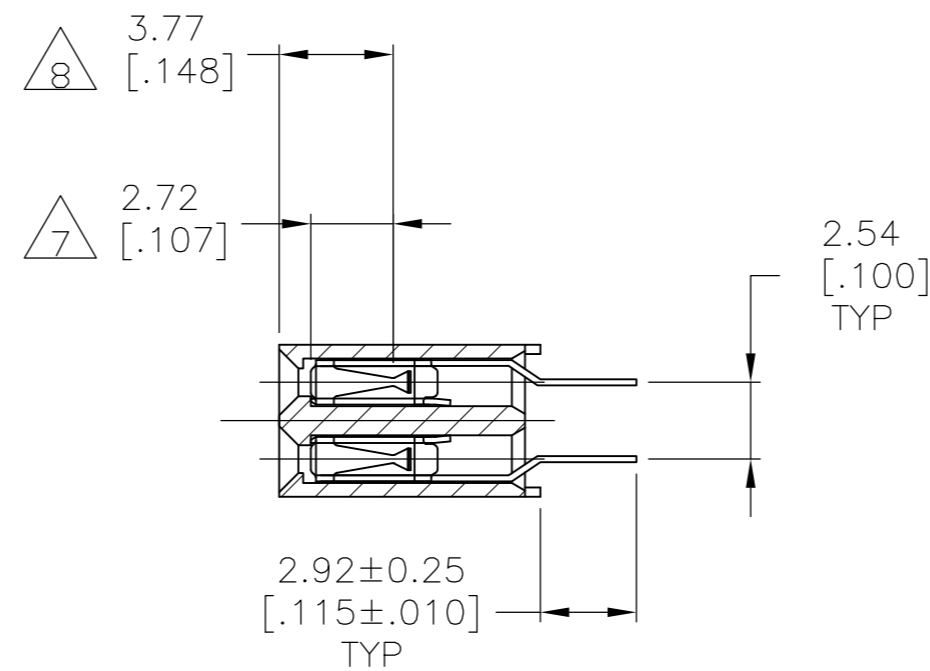
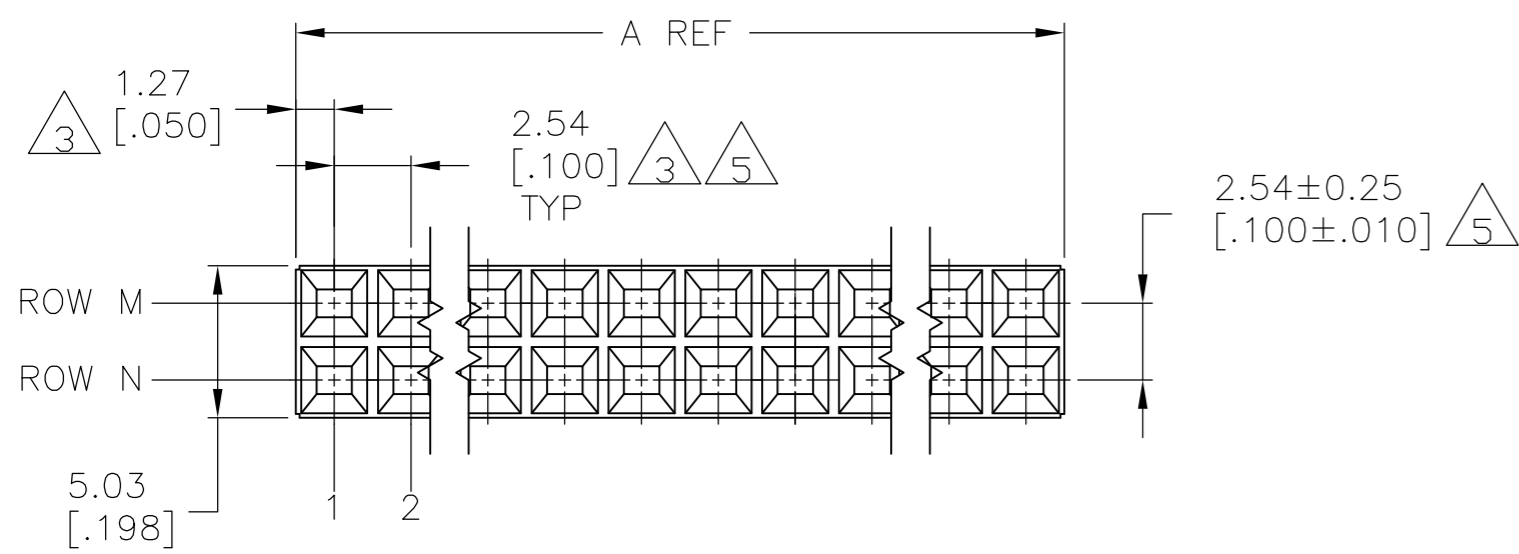


THIS DRAWING IS UNPUBLISHED. RELEASED FOR PUBLICATION
 © COPYRIGHT BY TYCO ELECTRONICS CORPORATION. ALL RIGHTS RESERVED.

LOC		DIST		REVISIONS			
P	LTR	DESCRIPTION		DATE	DWN	APVD	
C		EC 0G3C 0161 05		30MAR05	BSV	JRO	
C1		REVISED PER ECO-09-022424		21SEP09	KK	AEG	



RECOMENDED PC BOARD HOLE PATTERN
 PC BOARD THICKNESS 1.57[.062]



- 1 HOUSING: FLAME RETARDANT, GLASS FILLED, POLYESTER, COLOR: BLACK. CONTACT: PHOSPHOR BRONZE
- 2 CONTACT: DUPLEX PLATED 0.76µm[.000030] GOLD IN CONTACT AREA, 3.81-7.62µm[.000150-.000300] BRIGHT TIN-LEAD ON LEADS ALL OVER 1.27µm[.000050] MINIMUM NICKEL
- 3 THESE DIMENSIONS PERTAIN TO CAVIITY CENTERLINES ONLY - NOT TO CONTACT LOCATIONS
- 4 PART NUMBER AND DATE CODE ARE MARKED IN APPROXIMATE LOCATION SHOWN.
- 5 TOLERANCE IS NON-CUMULATIVE.
- 6 CONTACT: DUPLEX PLATED 0.76µm[.000030] MIN GOLD IN CONTACT AREA, 3.81-7.62µm[.000150-.000300] MATTE TIN ON LEADS, ALL OVER 1.27µm[.000050] MIN NICKEL
- 7 POINT-OF-MEASUREMENT DIMENSION FOR PLATING THICKNESS (INSIDE CONTACT BEAM).
- 8 ROHS 2002 /95/EC COMPLIANT.
- 9 NO PART NUMBER MARKING REQUIRED FOR THIS PART.
- 10 TYCO LOGO AND CSA LOGO ARE MOLDED INTO HOUSING.
- 11 OBSOLETE PARTS: OBSOLETE CIS STREAMLINING PER D.RENAUD/D.SINISI

11 OBSOLETE	6	1,12	1,12	30.48 [1.200]	27.94 [1.100]	24	8	5-535977-1
	2	1,12	1,12	30.48 [1.200]	27.94 [1.100]	24		535977-1
FINISH		ROW "M"	ROW "N"	A	B	NO OF POSN	PART NUMBER	
		POST NUMBER OMITTED						

THIS DRAWING IS A CONTROLLED DOCUMENT.		DWN	17-10-90		Tyco Electronics Corporation Harrisburg, Pa 17105-3608			
DIMENSIONS: mm [INCHES]		CHK	KATE HELM		RCPT ASSY,MOD II,DBL-ROW VERT MT.,100 C/L, CLSD-ENTRY SHORT-POINT OF CONTACT			
TOLERANCES UNLESS OTHERWISE SPECIFIED:		APVD	-		SIZE CAGE CODE DRAWING NO RESTRICTED TO			
0 PLC ± -		PRODUCT SPEC	-		A2 00779 C=535977			
1 PLC ± -		APPLICATION SPEC	-		SCALE 4:1 SHEET 1 OF 1 REV C1			
2 PLC ± -		WEIGHT	-					
3 PLC ± .13[.005]		CUSTOMER DRAWING						
4 PLC ± -								
ANGLES ± -								
FINISH								
1		2 6						