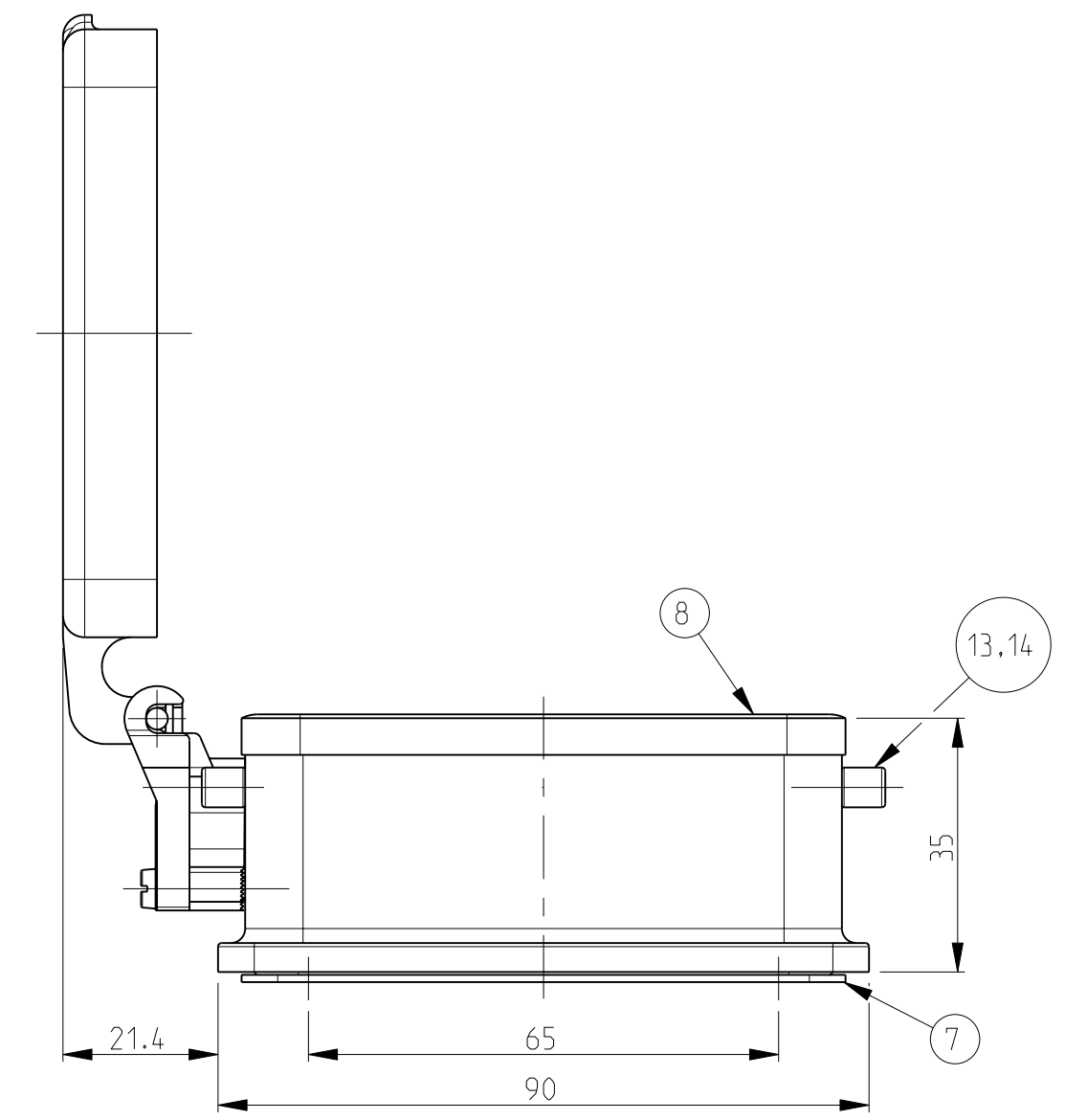
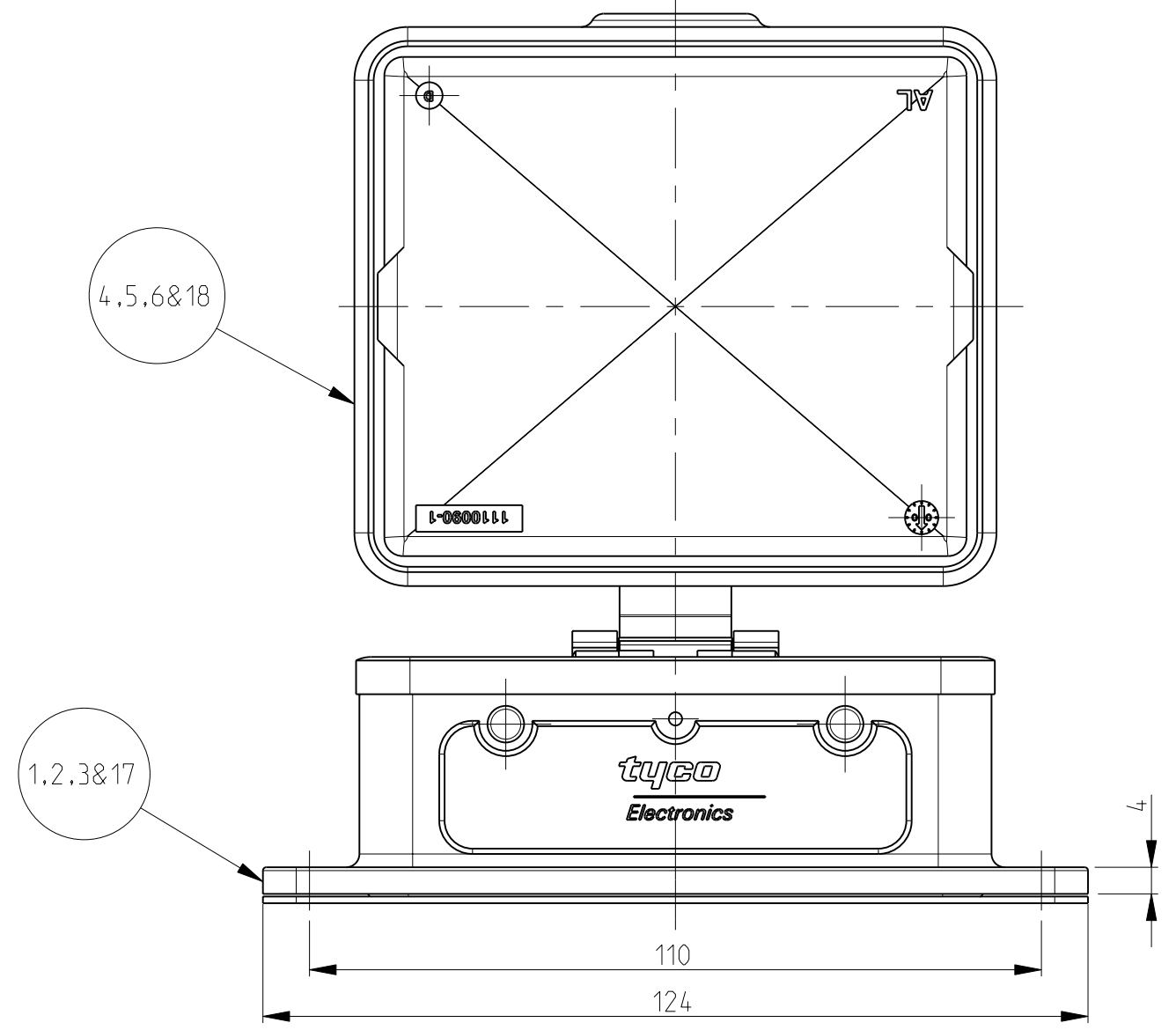


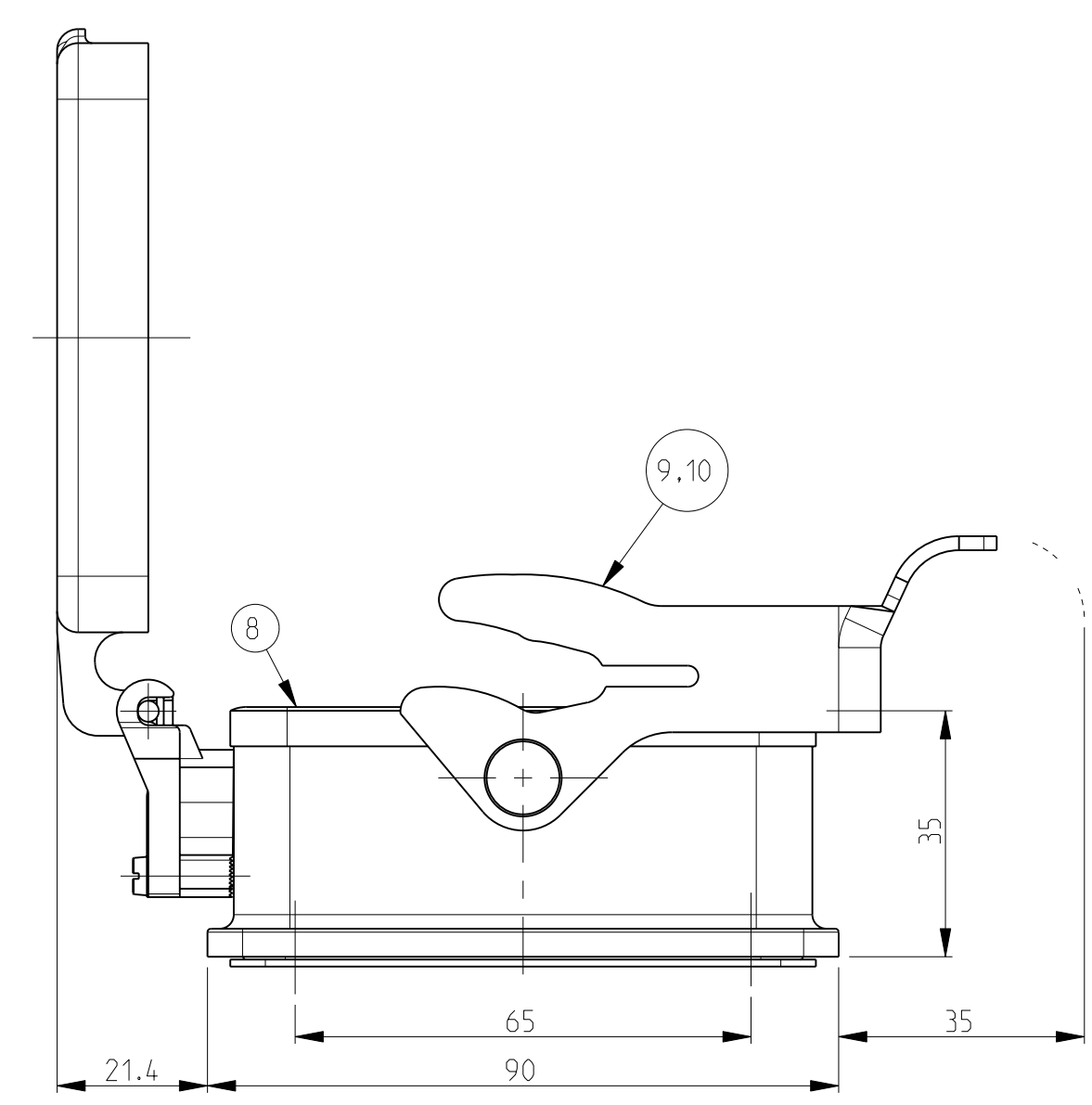
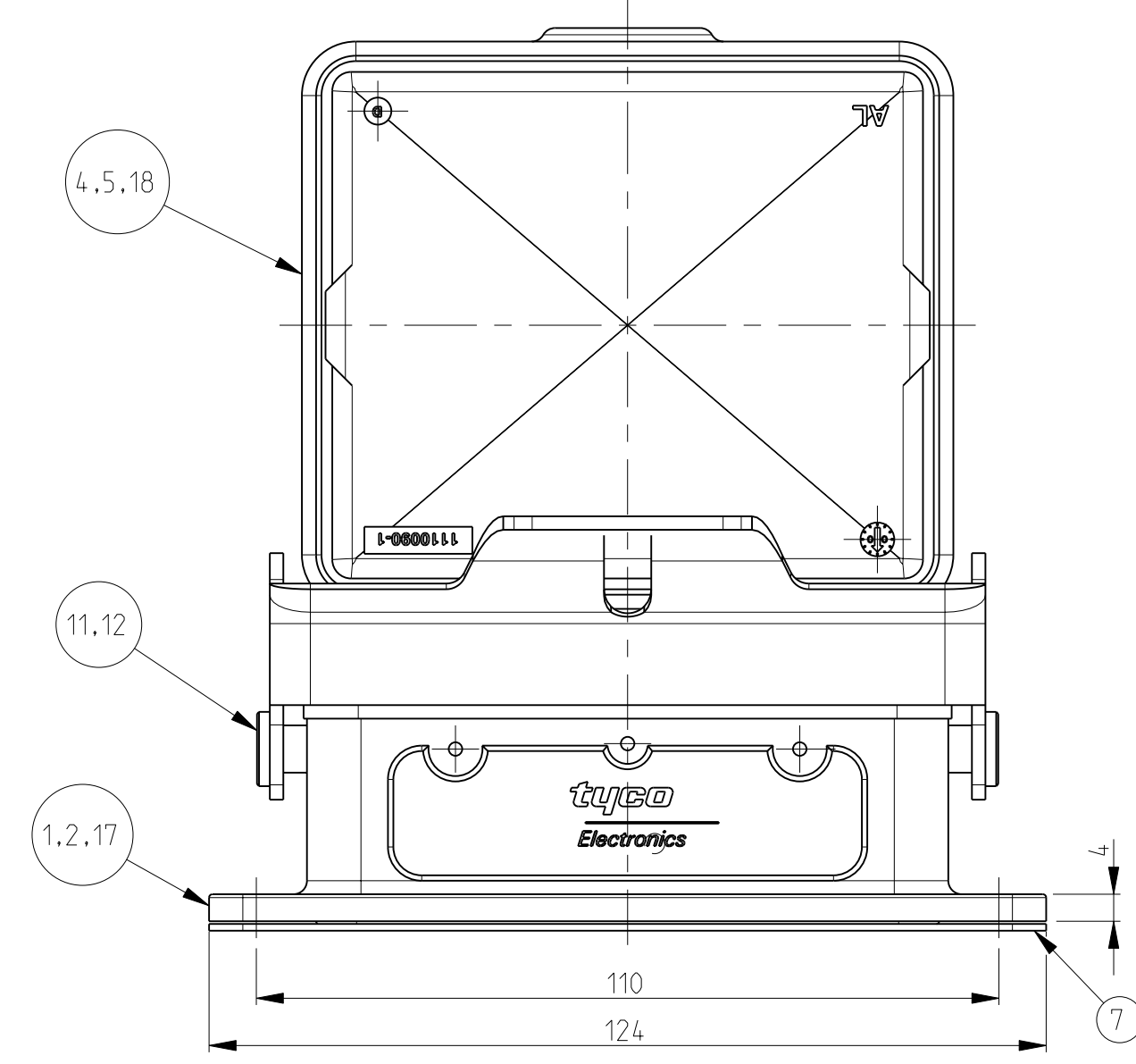
LOC	DIST	REVISIONS					
A	I	P	LTH	DESCRIPTION	DATE	DWN	APVD
		A5		Released as per ECR-07-030428	17.12.2007	SP	TS

PN 1-6, 2-6, 0-3 & 1-1

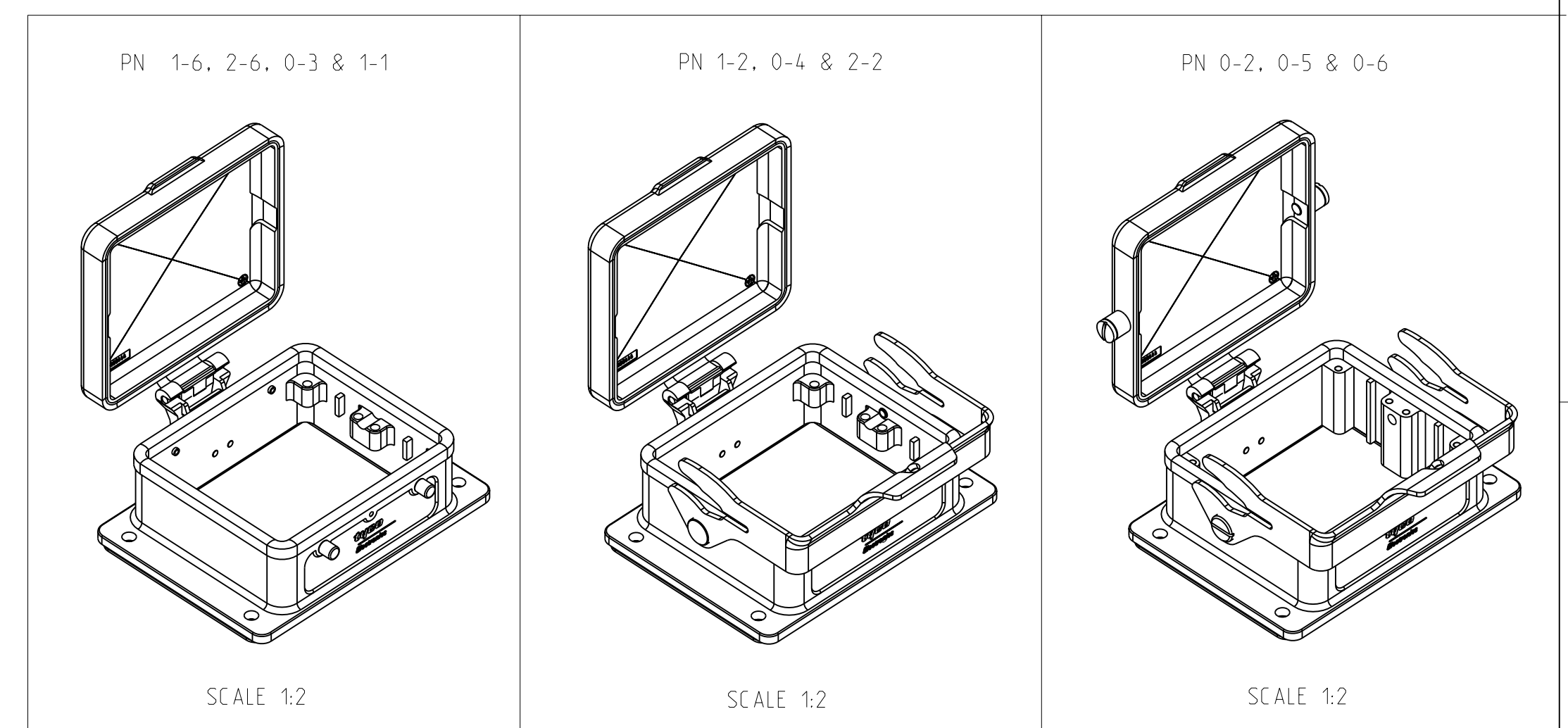
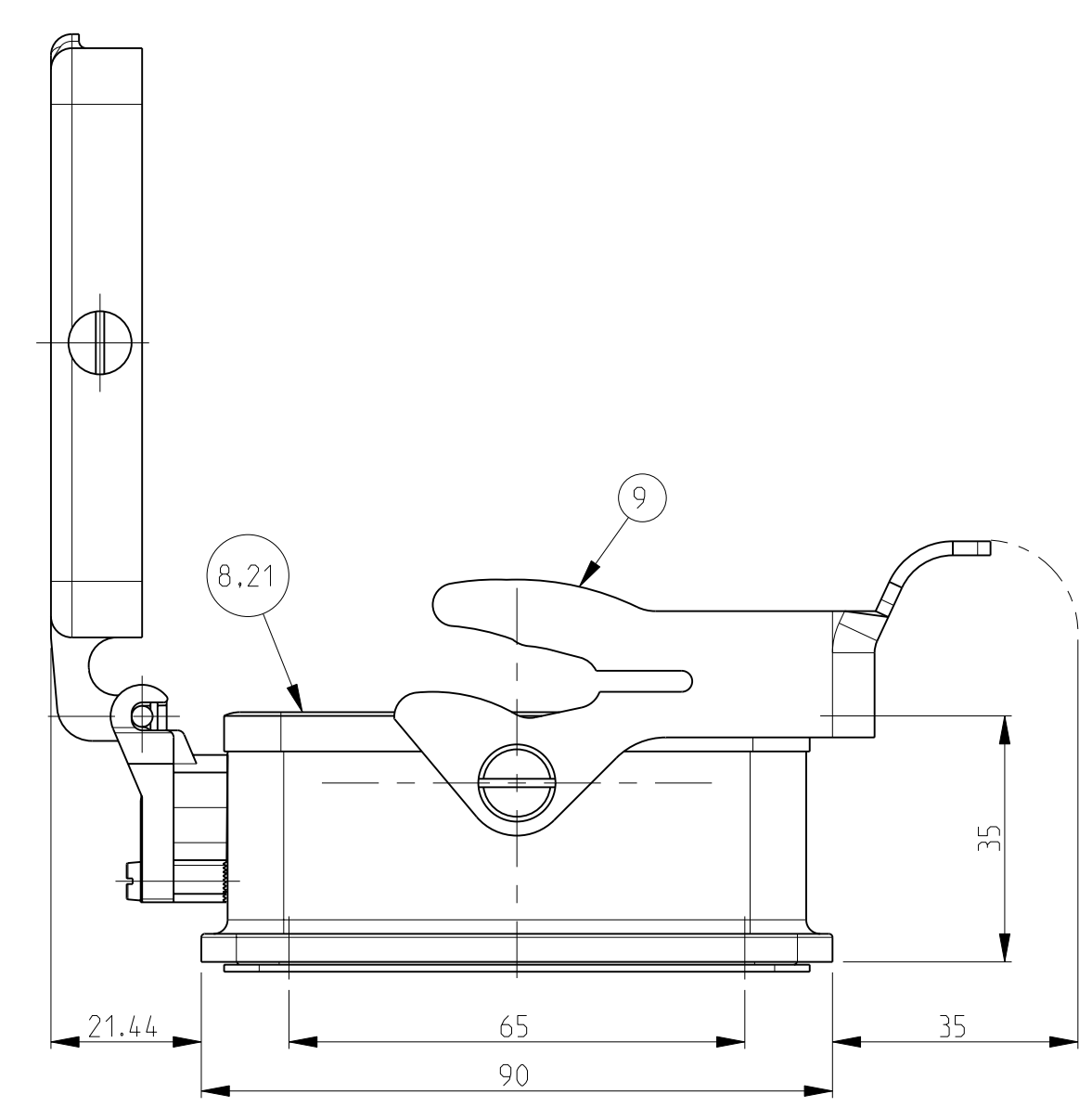
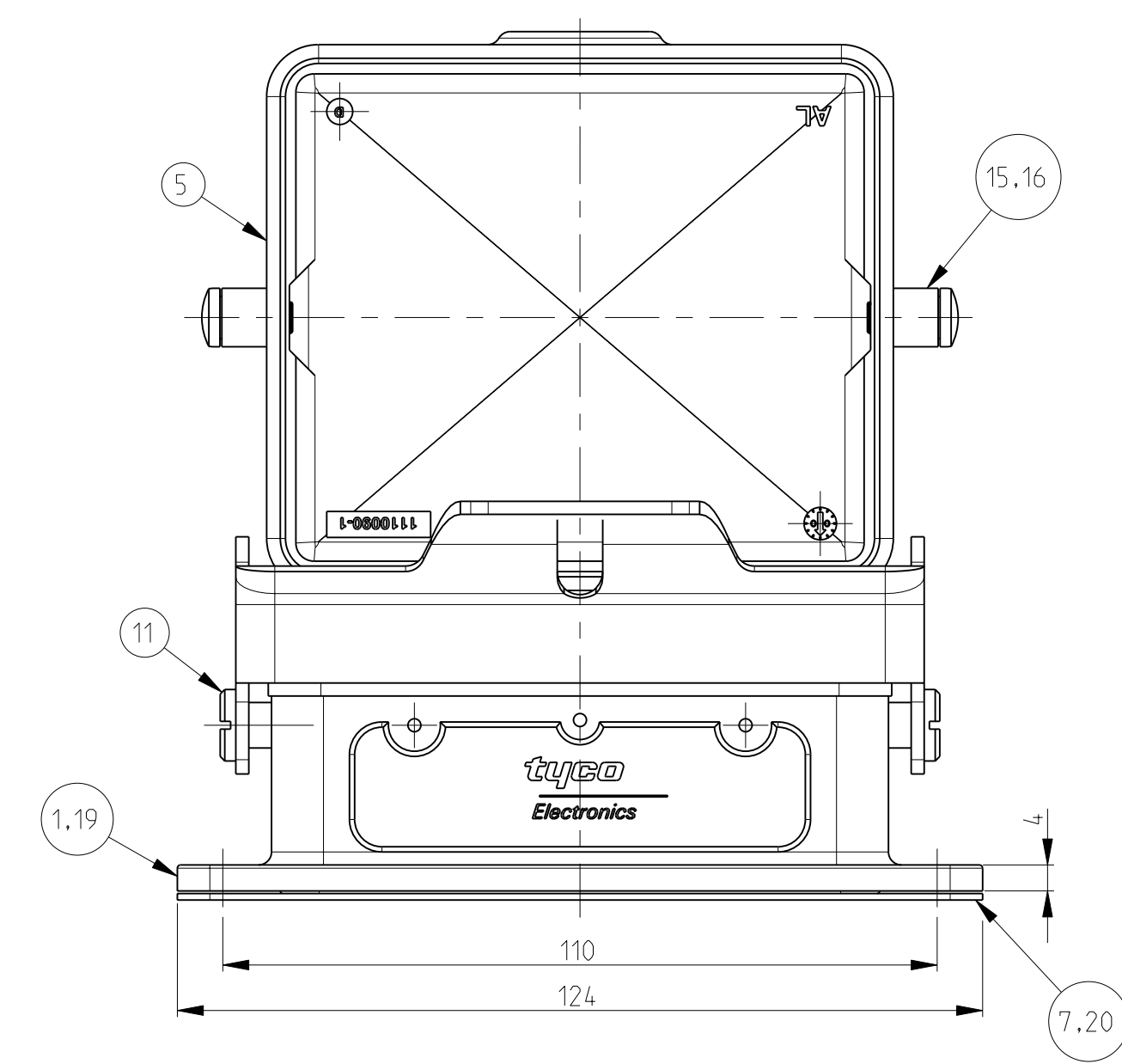


- NOTES
- 1 Material:Housing:Aluminium Diecasting Alloy
Seals: Neoprene
 - 2 Surface- Varnish -Aluminium Oxide +
Varnish Black
-Grey
 - 3 Varnish on the inside not necessary
 - 4 Packaging Quantity 5 Pieces in a box
- △ Set-Packaging all parts packed separately

PN 1-2, 0-4 & 2-2



PN 0-2,0-5 & 0-6



QTY	DESCRIPTION	MATERIAL	SURFACE	COLOR	ITEM NO	NOTES
1	Profile seal	Viton		Grey	21	
1	Flange seal	Viton		Grey	20	
1	Surface mounted housing bottom entry HB	Aluminium		Grey	19	Neutral
1	Cover finished product HB	Aluminium		Grey	18	Neutral/W without logo
1	Surface mounted housing bottom entry HB	Aluminium		Grey	17	Neutral/W without logo
	Slide spool-LB	Steel	Zinc plated	Blue	16	
	Clip bolt-LB	Steel	Zinc plated	Blue	15	
	Clip bolt-VS	Stainless steel			14	
	Clip bolt-VS	Steel	Zinc plated	Blue	13	
	Clip positioner-LB	Stainless steel			12	
2	Clip positioner-LB	Steel	Zinc plated	Blue	11	
1	Longitudinal handle-LB	Stainless steel			10	
1	Longitudinal handle-LB	Steel	Zinc plated	Blue	9	
1	Profile seal	Neoprene		Black	8	
1	Flange seal	Neoprene		Black	7	
1	Cover finished product HB	Aluminium		No varnish	6	
1	Cover finished product HB	Aluminium		Grey	5	Neutral
1	Cover finished product HB-K	Aluminium	Aluminium oxide	Black	4	
1	Surface mounted housing bottom entry HB	Aluminium		No varnish	3	
1	Surface mounted housing bottom entry HB-K	Aluminium	Aluminium oxide	Black	2	
1	Surface mounted housing bottom entry HB	Aluminium		Grey	1	

ORDERING TEXT

HB.32.AGD-LB
 HB-K.32.AGD-LB
 HB.32.AGD-LB-GR
 SET-HB.32.AGD △
 HB.32.AGD
 HB-K.32.AGD
 HB.32.AGD
 HB.32.AGD-LB
 HB.32.AGD-LB
 HB.32.AGD-LB-V

DIMENSIONS: mm		TOLERANCES UNLESS OTHERWISE SPECIFIED:		DWN Schneider 15.04.2002		Tyco Electronics AMP GmbH 0-53819-Neunkirchen, Germany	
MATERIAL		FINISH		CHK Schneider 15.04.2002		NAME Surface mounted housing bottom entry HB.32.AGD	
0 PLD ± 1 PLD ± 2 PLD ± 3 PLD ± 4 PLD ± ANGLES ±		0 PLD ± 1 PLD ± 2 PLD ± 3 PLD ± 4 PLD ± ANGLES ±		PRODUCT SPEC 108-74001 108-74003 APPLICATION SPEC 114-74001 114-74004		SIZE CAGE CODE DRAWING NO A 00779 C=1102360	
CUSTOMER DRAWING		SCALE 1:1		SHEET 1 OF 1		REV A5	