

**OBsolete PART**  
 EC NO: SH2011-0364 2011/06/10  
 DRAWN: J.SONG 2011/06/10  
 CHKD:  
 APPR: R.ZHANG 2011/06/14

| REV | DESCRIPTION | QUALITY SYMBOLS |
|-----|-------------|-----------------|
| 1   |             | $\nabla_A = 0$  |
| 2   |             | $\nabla_C = 0$  |
| 3   |             | $\nabla_B = 0$  |

| GENERAL TOLERANCES (UNLESS SPECIFIED)                |        |
|--|--------|
| mm   | INCH   |
| 4 PLACES   | ± ---  |
| 3 PLACES   | ± ---  |
| 2 PLACES   | ± 0.15 |
| 1 PLACE  | ± 0.15 |
| ANGULAR ± 2 °  |        |
| DRAFT WHERE APPLICABLE MUST REMAIN WITHIN DIMENSIONS |        |

| DIMENSION STYLE |            |
|-----------------|------------|
| MM ONLY         |            |
| DRAWN BY        | DATE       |
| JACK LIN        | 1998/08/06 |
| CHECKED BY      | DATE       |
| WALLY WA        | 1998/08/06 |
| APPROVED BY     | DATE       |
| MEGA LIN        | 1998/08/06 |
| MATERIAL NO.    |            |
| 67155-0001      |            |

|   |              |                        |
|---|--------------|------------------------|
| SCALE   | DESIGN UNITS | THIRD ANGLE PROJECTION |
| 2:1   | METRIC       |                        |
| TITLE   |              |                        |
| 50 CIRCUITS CF LOW PROFILE HEADER   |              |                        |
| MOLEX INCORPORATED  |              | SHEET NO.              |
| DOCUMENT NO.  |              | 1 OF 3                 |
| SD-67155-001  |              |                        |
| THIS DRAWING CONTAINS INFORMATION THAT IS PROPRIETARY TO MOLEX INCORPORATED AND SHOULD NOT BE USED WITHOUT WRITTEN PERMISSION |              |                        |

10 9 8 7 6 5 4 3 2 1

F

E

D

C

B

A

F

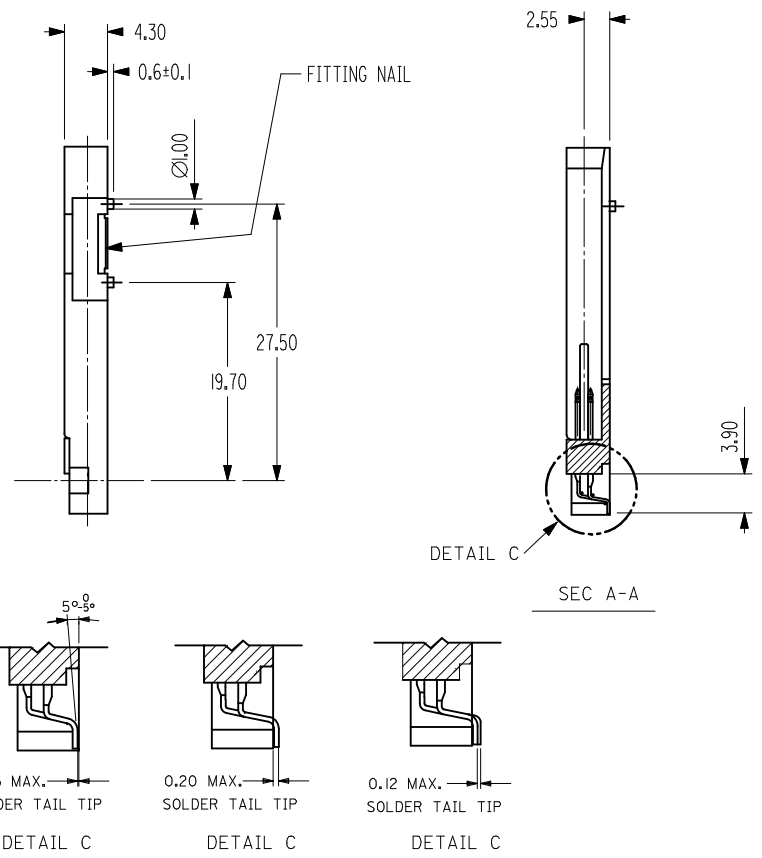
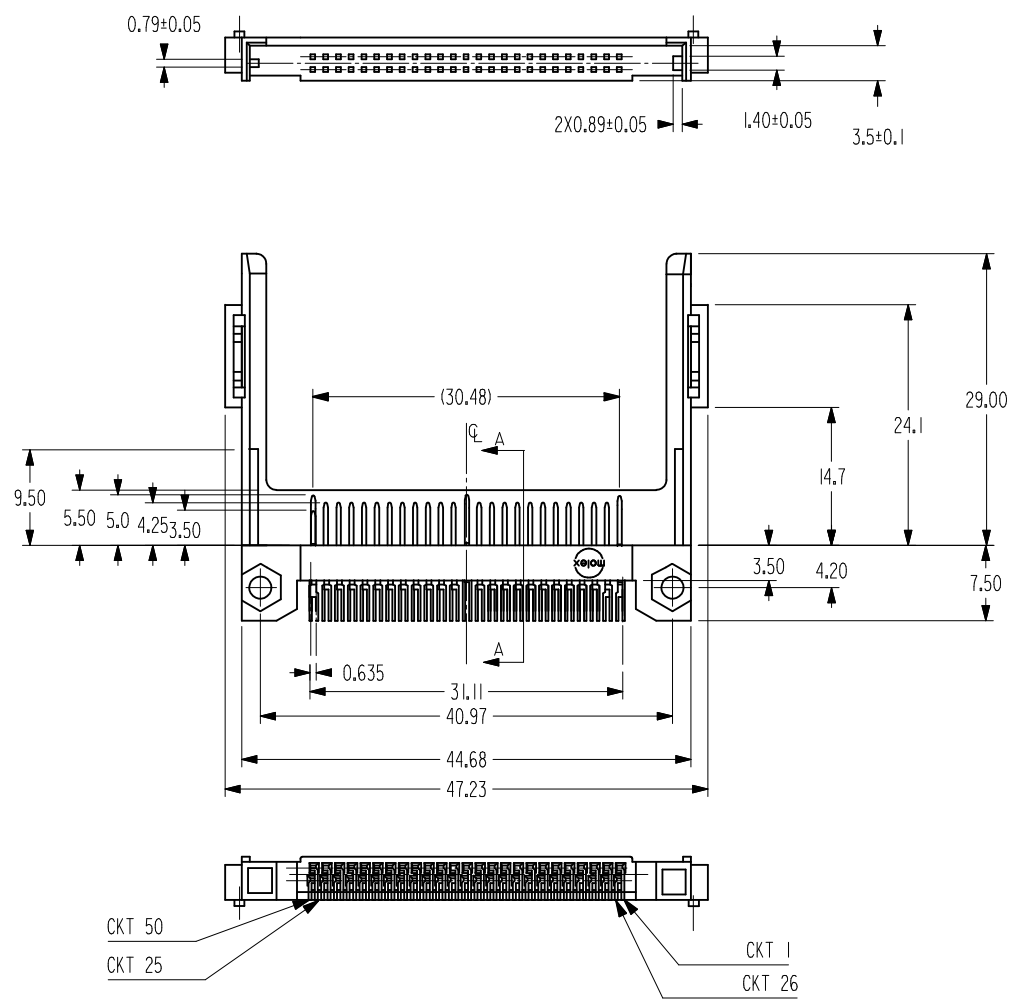
E

D

C

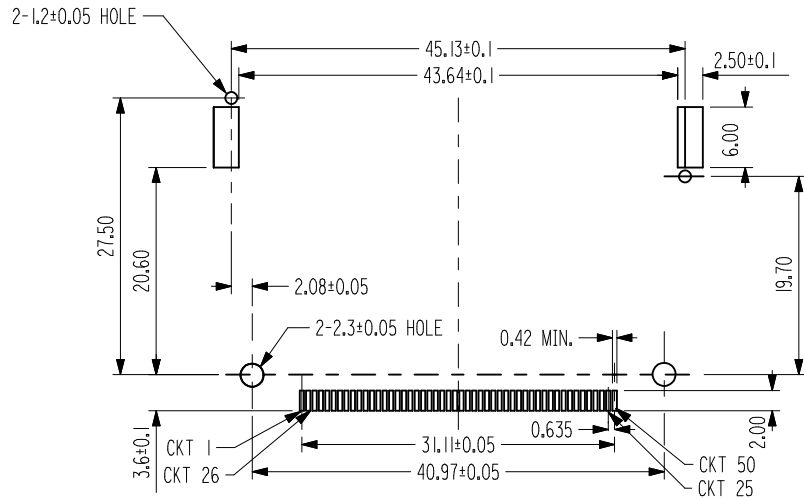
B

A

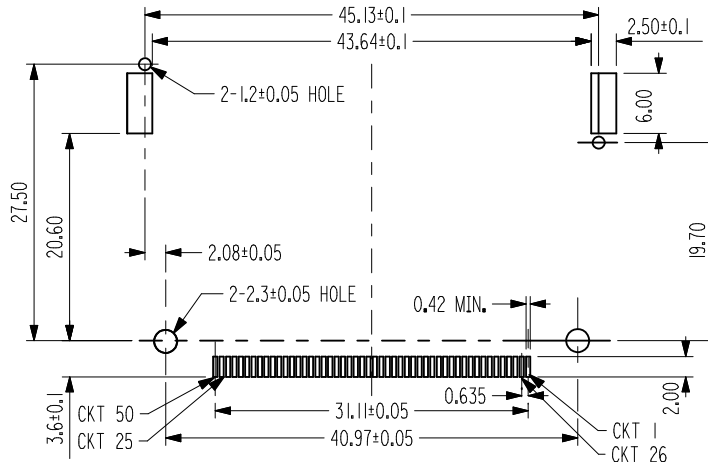


|  |                    |                   |                                       |       |                            |                              |  |   |                        |  |
|--|--------------------|-------------------|---------------------------------------|-------|----------------------------|------------------------------|--|---|------------------------|--|
| SEE SHEET 1<br>EC NO: SH2011-0364<br>DRWN: XJSONG<br>CHKD:<br>APPR: RZHANG | DESCRIPTION<br>REV | QUALITY SYMBOLS   | GENERAL TOLERANCES (UNLESS SPECIFIED) |       | DIMENSION STYLE<br>MM ONLY |                              | SCALE<br>2:1                               | DESIGN UNITS<br>METRIC  | THIRD ANGLE PROJECTION |  |
|  |                    | $F_{\Delta} = 0$  | mm                                    | INCH  | DRAWN BY<br>JACK LIN       | DATE<br>1998/08/06           | TITLE<br>50 CIRCUITS OF LOW PROFILE HEADER |   |                        |  |
|  |                    | $F_{\square} = 0$ | 4 PLACES ± ---                        | ± --- | CHECKED BY<br>WALLY WA     | DATE<br>1998/08/06           | MOLEX INCORPORATED                         |   |                        |  |
|  |                    | $F_{\circ} = 0$   | 3 PLACES ± ---                        | ± --- | APPROVED BY<br>MEGA LIN    | DATE<br>1998/08/06           |  |   |                        |  |
|  | 1 PLACE ± 0.15     | ± ---             | ANGULAR ± 2 °                         |       | MATERIAL NO.<br>67155-0002 | DOCUMENT NO.<br>SD-67155-001 | SHEET NO.<br>2 OF 3                        | THIS DRAWING CONTAINS INFORMATION THAT IS PROPRIETARY TO MOLEX INCORPORATED AND SHOULD NOT BE USED WITHOUT WRITTEN PERMISSION |                        |  |
| DRAFT WHERE APPLICABLE MUST REMAIN WITHIN DIMENSIONS                       |                    |                   |                                       |       |                            |                              |  |   |                        |  |

9 8 7 6 5 4 3 2 1



RECOMMENDED PCB LAYOUT  
REVERSE TYPE



RECOMMENDED PCB LAYOUT  
STANDARD TYPE

NOTES:

1. MATERIAL : HOUSING: HIGH TEMP PLASTIC, UL94 V-0, COLOR: IVORY  
TERMINAL: COPPER ALLOY
2. PLATING: CONTACT AREA: AU OVER PD-NI  
SOLDERING TAIL: TIN  
NICKEL OVERALL  
FITTING NAIL: TIN  
NICKEL OVERALL
3. RECOMMENDED PCB THICKNESS: 0.8MM

4. THE COPLANARITY OF SOLDER TAILS SHOULD BE WITHIN 0.12 MM
5. FOR PRODUCT SPECIFICATION: REFER TO PS-67155-003

| PART NUMBER | DISCRIPTION              | PACKAGING                   |
|-------------|--------------------------|-----------------------------|
| 67155-0001  | REVERSE TYPE             | TYAY                        |
| 67155-0002  | STANDARD TYPE            | PK-67155-001                |
| 67155-0004  | STANDARD TYPE WITH MYLAR | TAPE & REEL<br>PK-67155-002 |

|   |                          |   |  |                         |                                   |   |                                     |                               |                        |  |
|---|--------------------------|---|--|-------------------------|-----------------------------------|---|-------------------------------------|-------------------------------|------------------------|--|
| SEE SHEET1<br>IEC NO: SH2011-0364<br>TDR: WNAJ.SONG<br>CHKD:<br>APPR: RZ.HANG | 2011/06/10<br>2011/06/14 | QUALITY SYMBOLS<br>$\nabla_F = 0$<br>$\nabla_E = 0$<br>$\nabla_B = 0$ | GENERAL TOLERANCES (UNLESS SPECIFIED)  |                         | DIMENSION STYLE<br><b>MM ONLY</b> |   | SCALE<br><b>2:1</b>                 | DESIGN UNITS<br><b>METRIC</b> | THIRD ANGLE PROJECTION |  |
|   |                          |   | mm      INCH   | DRAWN BY<br>JACK LIN    | DATE<br>1998/08/06                | TITLE<br><b>50 CIRCUITS CF LOW PROFILE HEADER</b> |                                     |                               |                        |  |
|   |                          |   | 4 PLACES ± --- ± ---<br>3 PLACES ± --- ± ---<br>2 PLACES ± 0.15 ± ---<br>1 PLACE ± 0.15 ± ---                                    | CHECKED BY<br>WALLY WA  | DATE<br>1998/08/06                | MOLEX MOLEX INCORPORATED                          |                                     |                               |                        |  |
|   |                          |   | ANGULAR ± 2 °  | APPROVED BY<br>MEGA LIN | DATE<br>1998/08/06                | MATERIAL NO.<br><b>SEE TABLE</b>                  | DOCUMENT NO.<br><b>SD-67155-001</b> | SHEET NO.<br><b>3 OF 3</b>    |                        |  |
| DRAFT WHERE APPLICABLE<br>MUST REMAIN<br>WITHIN DIMENSIONS                    |                          |   | THIS DRAWING CONTAINS INFORMATION THAT IS PROPRIETARY TO MOLEX<br>INCORPORATED AND SHOULD NOT BE USED WITHOUT WRITTEN PERMISSION |                         |                                   |   |                                     |                               |                        |  |